

HC-26P1NRA80DU - Cable connector



1590319

<https://www.phoenixcontact.com/us/products/1590319>

Please be informed that the data shown in this PDF document is generated from our online catalog. Please find the complete data in the user documentation. Our general terms of use for downloads are valid.



The figure shows the 28-pos.
product version

Cable connector, application: Signal, straight, Screw locking mechanism, M27, number of positions: 26, contact connection type: Pin, shielded: yes, cable diameter range: 2 mm ... 14.5 mm, number of positions: 26, connection method: Crimp connection, series: HC

Commercial data

Item number	1590319
Packing unit	1 pc
Minimum order quantity	1 pc
Note	Made to order (non-returnable)
Sales key	AB31
Product key	ABRAJA
GTIN	4046356186773
Weight per piece (including packing)	92.34 g
Weight per piece (excluding packing)	92.34 g
Customs tariff number	85366990
Country of origin	DE

HC-26P1NRA80DU - Cable connector



1590319

<https://www.phoenixcontact.com/us/products/1590319>

Technical data

Notes

Order information:	Follow-up item from 1st December 2015: 1623266 HC-26P1N8A80DU
Order information:	Order crimp contacts Ø 1 mm separately

Product properties

Product type	Circular connector (cable-side)
Series	HC
Application	Signal
Number of positions	26
Connection profile	26
Shielded	yes
Coding	N
Thread type	M27

Material specifications

Seal material	FPM or NBR or EPDM
Housing material	Metal
Housing material	Turned parts: copper zinc alloy (CuZn), die-cast parts: zinc (GD-Zn)
Insulator material	PA66
Gasket and O-ring material	FPM

Connection data

Conductor connection

Connection method	Crimp connection
-------------------	------------------

Electrical properties

Contact

Contact diameter	1 mm
Nominal current I_N	8 A
Nominal voltage U_N	150 V
Overvoltage category	II
Degree of pollution	3
Rated surge voltage	1.5 kV

Connector

Type	straight
Direction of rotation	Standard

Cable/line

External cable diameter	2 mm ... 14.5 mm
-------------------------	------------------

HC-26P1NRA80DU - Cable connector



1590319

<https://www.phoenixcontact.com/us/products/1590319>

Environmental and real-life conditions

Ambient conditions

Degree of protection	IP67
Ambient temperature (operation)	-20 °C ... 125 °C
Altitude	2000 m

HC-26P1NRA80DU - Cable connector

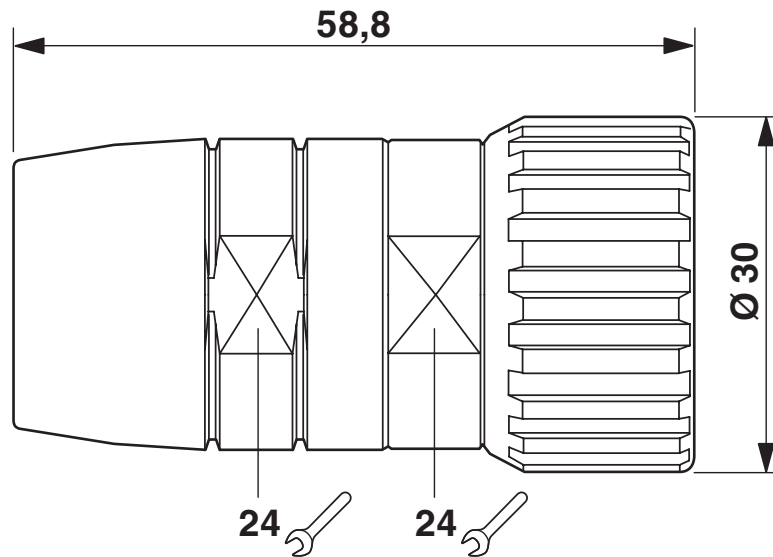
1590319

<https://www.phoenixcontact.com/us/products/1590319>



Drawings

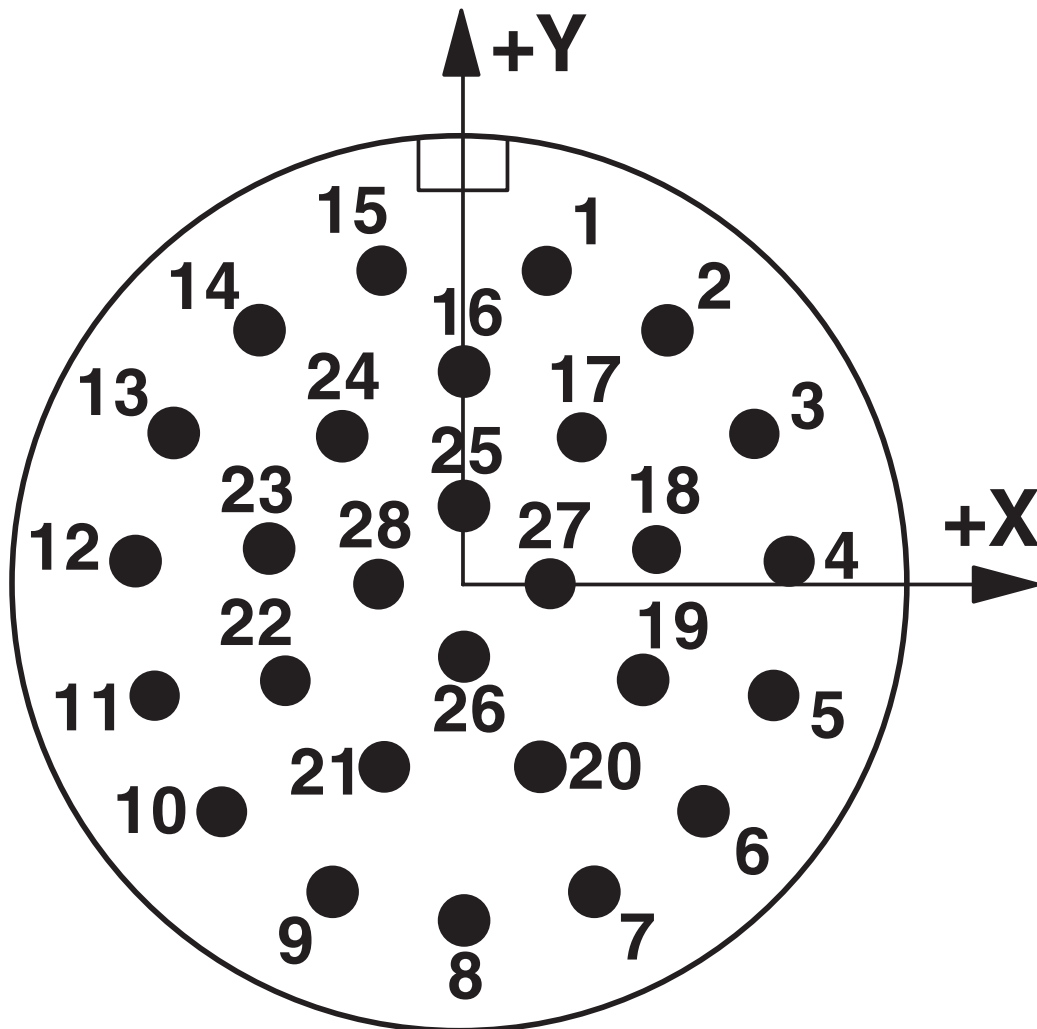
Dimensional drawing



1590319

<https://www.phoenixcontact.com/us/products/1590319>

Schematic diagram



Phoenix Contact 2026 © - all rights reserved
<https://www.phoenixcontact.com>

Phoenix Contact USA
586 Fulling Mill Road
Middletown, PA 17057, United States
(+717) 944-1300
info@phoenixcon.com