

HC-26P1N1290DU - Coupler connector



1590289

<https://www.phoenixcontact.com/us/products/1590289>

Please be informed that the data shown in this PDF document is generated from our online catalog. Please find the complete data in the user documentation. Our general terms of use for downloads are valid.



Coupler connector, application: Signal, straight, Screw locking mechanism, M27, number of positions: 26, contact connection type: Pin, shielded: yes, degree of protection: IP67, cable diameter range: 2 mm ... 14.5 mm, number of positions: 26, connection method: Solder cup, series: HC

Commercial data

| | |
|--------------------------------------|---------------|
| Item number | 1590289 |
| Packing unit | 12 pc |
| Minimum order quantity | 1 pc |
| Sales key | AB31 |
| Product key | ABRAJG |
| GTIN | 4046356186605 |
| Weight per piece (including packing) | 103.7 g |
| Weight per piece (excluding packing) | 94.559 g |
| Customs tariff number | 85366990 |
| Country of origin | DE |

HC-26P1N1290DU - Coupler connector



1590289

<https://www.phoenixcontact.com/us/products/1590289>

Technical data

Product properties

| | |
|---------------------|---------------------------------|
| Product type | Circular connector (cable-side) |
| Series | HC |
| Application | Signal |
| Number of positions | 26 |
| Connection profile | 26 |
| Shielded | yes |
| Coding | N |
| Thread type | M27 |

Material specifications

| | |
|----------------------------|--------------------|
| Material Housing | GD-Zn |
| Material Rotating parts | CuZn |
| Material Housing surface | Ni |
| Material Contact | CuZn |
| Material Contact surface | Au |
| Seal material | FPM or NBR or EPDM |
| Insulator material | PA66 |
| Gasket and O-ring material | FPM |

Connection data

Conductor connection

| | |
|-------------------|------------|
| Connection method | Solder cup |
|-------------------|------------|

Electrical properties

Contact

| | |
|--------------------------------|----------------------|
| Contact diameter | 1 mm |
| Min. cross section | 0.08 mm ² |
| Max. cross section | 1 mm ² |
| Nominal current I _N | 8 A |
| Nominal voltage U _N | 48 V AC 74 V DC |
| Overvoltage category | III |
| Degree of pollution | 3 |
| Rated surge voltage | 1.5 kV |

Mechanical properties

Mechanical data

| | |
|-----------------------------|----|
| Insertion/withdrawal cycles | 50 |
|-----------------------------|----|

HC-26P1N1290DU - Coupler connector



1590289

<https://www.phoenixcontact.com/us/products/1590289>

Connector

| | |
|-----------------------|----------|
| Type | straight |
| Direction of rotation | Standard |

Cable/line

| | |
|-------------------------|------------------|
| External cable diameter | 2 mm ... 14.5 mm |
|-------------------------|------------------|

Environmental and real-life conditions

Ambient conditions

| | |
|---------------------------------|-------------------|
| Degree of protection | IP67 |
| Ambient temperature (operation) | -20 °C ... 125 °C |
| Altitude | 2000 m |

HC-26P1N1290DU - Coupler connector

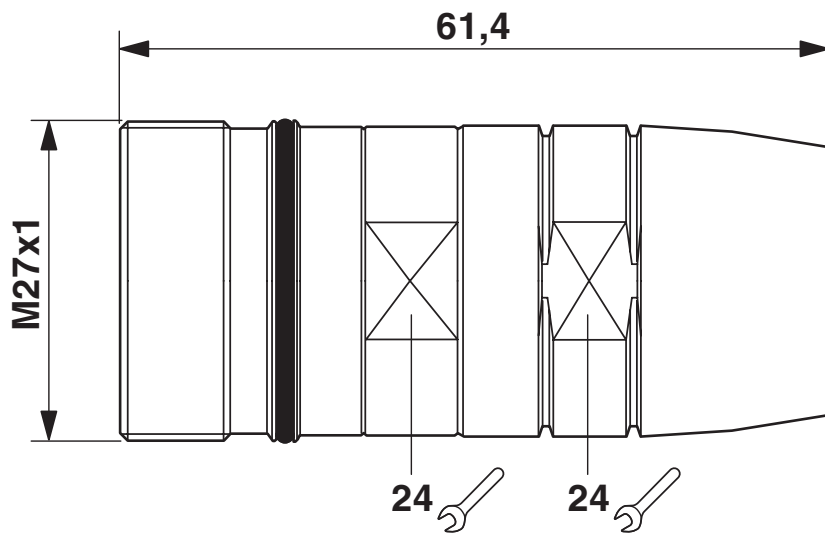


1590289

<https://www.phoenixcontact.com/us/products/1590289>

Drawings

Dimensional drawing



Dimensional drawing

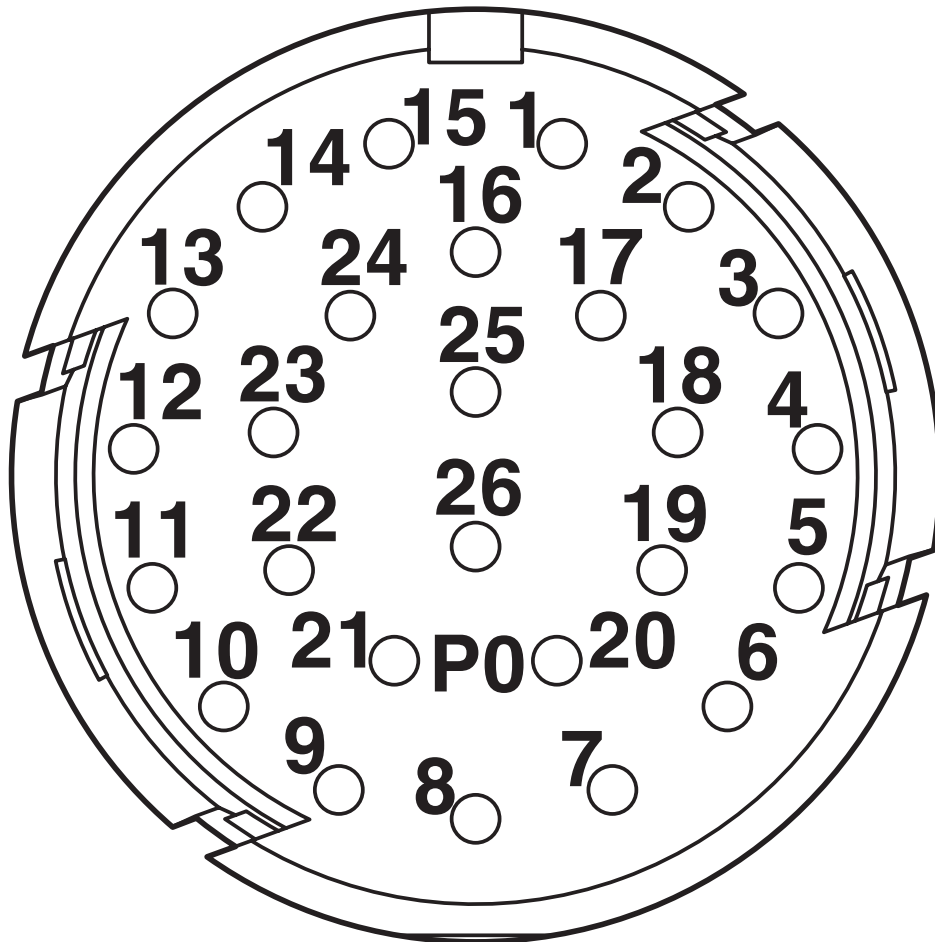
HC-26P1N1290DU - Coupler connector



1590289

<https://www.phoenixcontact.com/us/products/1590289>

Schematic diagram



Connector pin assignment

HC-26P1N1290DU - Coupler connector



1590289

<https://www.phoenixcontact.com/us/products/1590289>

Classifications

ECLASS

| | |
|-------------|----------|
| ECLASS-13.0 | 27440116 |
| ECLASS-15.0 | 27440116 |

ETIM

| | |
|-----------|----------|
| ETIM 10.0 | EC002635 |
|-----------|----------|

UNSPSC

| | |
|-------------|----------|
| UNSPSC 21.0 | 39121400 |
|-------------|----------|

HC-26P1N1290DU - Coupler connector



1590289

<https://www.phoenixcontact.com/us/products/1590289>

Environmental product compliance

EU RoHS

| | |
|---|------|
| Fulfills EU RoHS substance requirements | Yes |
| Exemption | 6(c) |

China RoHS

| | |
|--|---|
| Environment friendly use period (EFUP) | EFUP-50 |
| | An article-related China RoHS declaration table can be found in the download area for the respective article under "Manufacturer declaration". For all articles with EFUP-E, no China RoHS declaration table issued and required. |

EU REACH SVHC

| | |
|-------------------------------------|--------------------------------------|
| REACH candidate substance (CAS No.) | Lead(CAS: 7439-92-1) |
| SCIP | 71700fee-793f-472c-a08b-9aa680b2819a |

Phoenix Contact 2026 © - all rights reserved

<https://www.phoenixcontact.com>

Phoenix Contact USA
586 Fulling Mill Road
Middletown, PA 17057, United States
(+717) 944-1300
info@phoenixcon.com