

HC-26P1N1280DU - Cable connector



1590285

<https://www.phoenixcontact.com/us/products/1590285>

Please be informed that the data shown in this PDF document is generated from our online catalog. Please find the complete data in the user documentation. Our general terms of use for downloads are valid.



Cable connector, application: Signal, straight, Screw locking mechanism, M27, number of positions: 26, contact connection type: Pin, shielded: yes, degree of protection: IP67, cable diameter range: 2 mm ... 14.5 mm, number of positions: 26, connection method: Solder cup, series: HC, this item is expected to be lead-free from Q2 2026 in accordance with RoHS II without exception 6c (Pb < 0.1%), a lead-free alternative is possible on request in advance

Commercial data

Item number	1590285
Packing unit	12 pc
Minimum order quantity	1 pc
Sales key	AB31
Product key	ABRAJA
GTIN	4046356186582
Weight per piece (including packing)	99.63 g
Weight per piece (excluding packing)	87.839 g
Customs tariff number	85366990
Country of origin	DE

HC-26P1N1280DU - Cable connector



1590285

<https://www.phoenixcontact.com/us/products/1590285>

Technical data

Product properties

Product type	Circular connector (cable-side)
Series	HC
Application	Signal
Number of positions	26
Connection profile	26
Shielded	yes
Coding	N
Thread type	M27

Material specifications

Material Housing	GD-Zn
Material Rotating parts	CuZn
Material Housing surface	Ni
Material Contact	CuZn
Material Contact surface	Au
Seal material	FPM or NBR or EPDM
Insulator material	PA66
Gasket and O-ring material	FPM

Connection data

Conductor connection

Connection method	Solder cup
-------------------	------------

Electrical properties

Contact

Contact diameter	1 mm
Min. cross section	0.08 mm ²
Max. cross section	1 mm ²
Nominal current I _N	8 A
Nominal voltage U _N	48 V AC 74 V DC
Overvoltage category	III
Degree of pollution	3
Rated surge voltage	1.5 kV

Mechanical properties

Mechanical data

Insertion/withdrawal cycles	50
-----------------------------	----

HC-26P1N1280DU - Cable connector



1590285

<https://www.phoenixcontact.com/us/products/1590285>

Connector

Type	straight
Direction of rotation	Standard

Connection 1

Head design	Pin
Head cable outlet	straight
Head thread type	M27

Cable/line

External cable diameter	2 mm ... 14.5 mm
-------------------------	------------------

Environmental and real-life conditions

Ambient conditions

Degree of protection	IP67 (When plugged in)
Ambient temperature (operation)	-20 °C ... 125 °C
Altitude	2000 m

HC-26P1N1280DU - Cable connector

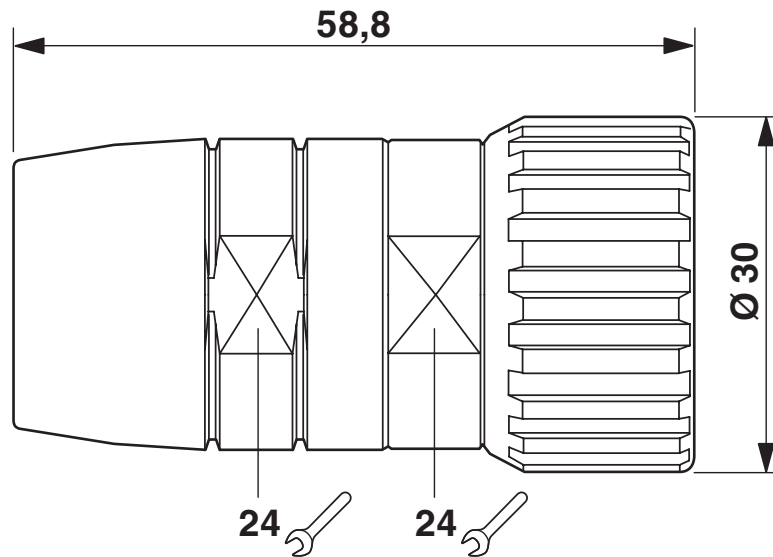
1590285

<https://www.phoenixcontact.com/us/products/1590285>



Drawings

Dimensional drawing



Dimensional drawing

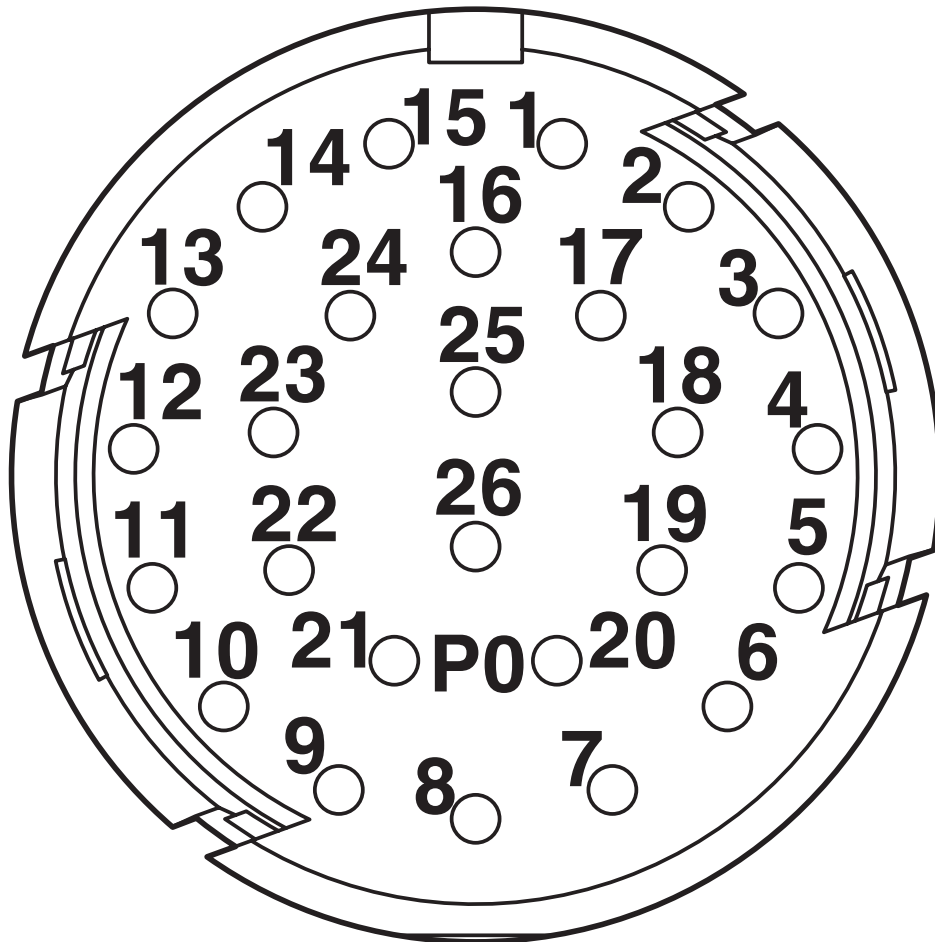
HC-26P1N1280DU - Cable connector



1590285

<https://www.phoenixcontact.com/us/products/1590285>

Schematic diagram



Connector pin assignment

HC-26P1N1280DU - Cable connector



1590285

<https://www.phoenixcontact.com/us/products/1590285>

Classifications

ECLASS

ECLASS-13.0	27440116
ECLASS-15.0	27440116

ETIM

ETIM 10.0	EC002635
-----------	----------

UNSPSC

UNSPSC 21.0	39121400
-------------	----------

HC-26P1N1280DU - Cable connector



1590285

<https://www.phoenixcontact.com/us/products/1590285>

Environmental product compliance

EU RoHS

Fulfills EU RoHS substance requirements	Yes
Exemption	6(c)

China RoHS

Environment friendly use period (EFUP)	EFUP-50
	An article-related China RoHS declaration table can be found in the download area for the respective article under "Manufacturer declaration". For all articles with EFUP-E, no China RoHS declaration table issued and required.

EU REACH SVHC

REACH candidate substance (CAS No.)	Lead(CAS: 7439-92-1)
SCIP	c70cfe42-4676-41fd-9436-9f6c2b4f79c8

Phoenix Contact 2026 © - all rights reserved

<https://www.phoenixcontact.com>

Phoenix Contact USA
586 Fulling Mill Road
Middletown, PA 17057, United States
(+717) 944-1300
info@phoenixcon.com