

# HC-M-08-GBIT-LK10 - Strain relief clamp

1587755

<https://www.phoenixcontact.com/us/products/1587755>

Please be informed that the data shown in this PDF document is generated from our online catalog. Please find the complete data in the user documentation. Our general terms of use for downloads are valid.

Cable clamp for cable diameter of 7 - 10 mm



## Commercial data

Item number	1587755
Packing unit	2 pc
Minimum order quantity	2 pc
Product key	AF7ACZ
GTIN	4046356527903
Weight per piece (including packing)	11.53 g
Weight per piece (excluding packing)	11.53 g
Country of origin	DE

# HC-M-08-GBIT-LK10 - Strain relief clamp



1587755

<https://www.phoenixcontact.com/us/products/1587755>

## Technical data

### Product properties

Product type	Mounting material
--------------	-------------------

### Material specifications

Material	Zinc alloy
----------	------------

### Cable/line

External cable diameter	7 mm ... 10 mm
-------------------------	----------------

### Environmental and real-life conditions

#### Ambient conditions

Ambient temperature (operation)	-40 °C ... 125 °C
---------------------------------	-------------------

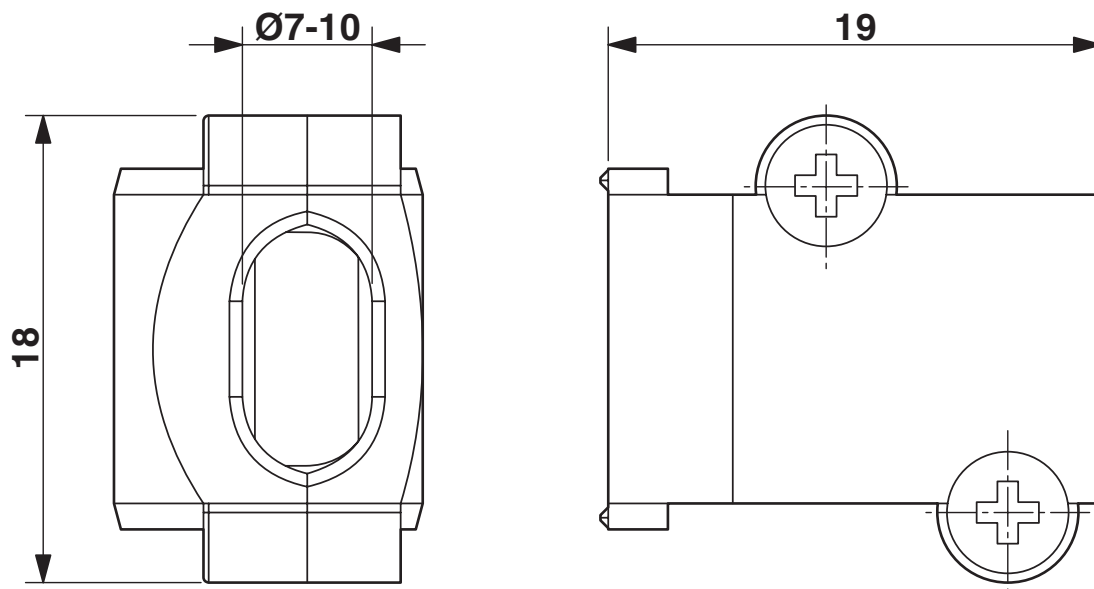
# HC-M-08-GBIT-LK10 - Strain relief clamp

1587755

<https://www.phoenixcontact.com/us/products/1587755>

## Drawings

Dimensional drawing



# HC-M-08-GBIT-LK10 - Strain relief clamp



1587755

<https://www.phoenixcontact.com/us/products/1587755>

## Environmental product compliance

### China RoHS

Environment friendly use period (EFUP)	EFUP-E
	No hazardous substances above the limits

### EU REACH SVHC

REACH candidate substance (CAS No.)	No substance above 0.1 wt%
-------------------------------------	----------------------------

Phoenix Contact 2026 © - all rights reserved  
<https://www.phoenixcontact.com>

Phoenix Contact USA  
586 Fulling Mill Road  
Middletown, PA 17057, United States  
(+717) 944-1300  
[info@phoenixcon.com](mailto:info@phoenixcon.com)