

HC-MOD-ANDOCK-USCH - Washer

1587496

<https://www.phoenixcontact.com/us/products/1587496>

Please be informed that the data shown in this PDF document is generated from our online catalog. Please find the complete data in the user documentation. Our general terms of use for downloads are valid.

Special washer for floating mounting of docking frame



Commercial data

Item number	1587496
Packing unit	20 pc
Minimum order quantity	2 pc
Sales key	BF62
Product key	AF7ACZ
GTIN	4046356526418
Weight per piece (including packing)	2.17 g
Weight per piece (excluding packing)	2.069 g
Customs tariff number	73182200
Country of origin	DE

HC-MOD-ANDOCK-USCH - Washer



1587496

<https://www.phoenixcontact.com/us/products/1587496>

Technical data

Product properties

Product type	Mounting material
--------------	-------------------

Material specifications

Material	Die-cast zinc
----------	---------------

Environmental and real-life conditions

Ambient conditions

Ambient temperature (operation)	-40 °C ... 125 °C
---------------------------------	-------------------

HC-MOD-ANDOCK-USCH - Washer

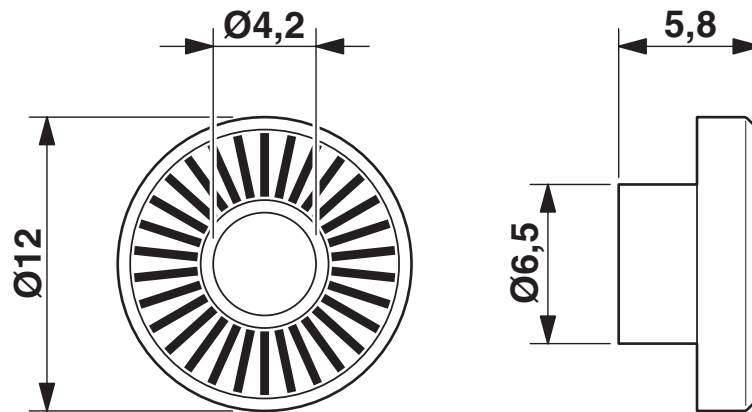
1587496

<https://www.phoenixcontact.com/us/products/1587496>



Drawings

Dimensional drawing



Dimensional drawing

HC-MOD-ANDOCK-USCH - Washer



1587496

<https://www.phoenixcontact.com/us/products/1587496>

Classifications

ECLASS

ECLASS-13.0	27440192
ECLASS-15.0	27440192

ETIM

ETIM 10.0	EC002943
-----------	----------

UNSPSC

UNSPSC 21.0	39121400
-------------	----------

HC-MOD-ANDOCK-USCH - Washer



1587496

<https://www.phoenixcontact.com/us/products/1587496>

Environmental product compliance

EU RoHS

Fulfills EU RoHS substance requirements	Yes, No exemptions
---	--------------------

China RoHS

Environment friendly use period (EFUP)	EFUP-E
	No hazardous substances above the limits

EU REACH SVHC

REACH candidate substance (CAS No.)	No substance above 0.1 wt%
-------------------------------------	----------------------------

Phoenix Contact 2026 © - all rights reserved
<https://www.phoenixcontact.com>

Phoenix Contact USA
586 Fulling Mill Road
Middletown, PA 17057, United States
(+717) 944-1300
info@phoenixcon.com