

# HC-B 16-TFQ-76/O1STM20G-EMV - EMC housing



1587360

<https://www.phoenixcontact.com/us/products/1587360>

Please be informed that the data shown in this PDF document is generated from our online catalog. Please find the complete data in the user documentation. Our general terms of use for downloads are valid.



HEAVYCON sleeve housing B16, for double locking latch, height 76 mm, with M20 thread, straight cable outlet, EMC version

## Commercial data

Item number	1587360
Packing unit	5 pc
Minimum order quantity	1 pc
Product key	AF7AAD
GTIN	4046356479240
Weight per piece (including packing)	220.38 g
Weight per piece (excluding packing)	220.38 g
Country of origin	CZ

1587360

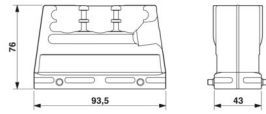
<https://www.phoenixcontact.com/us/products/1587360>

## Technical data

### Product properties

Product type	Housing with locking latch
Housing type	Sleeve housing
Application	EMC
Type	B16
No. of cable outlets	1
Type of the screw connection	1x M20
Shielded	yes
Cable outlet	straight
Pg screw connection	none

### Dimensions

Dimensional drawing	
Width	43 mm
Height	76 mm
Length	94 mm

### Material specifications

Housing material	Die-cast aluminum
Housing surface material	EMC coating, silver

### Mechanical properties

#### Mechanical data

Type of the screw connection	1x M20
Locking type	Pin

### Environmental and real-life conditions

#### Ambient conditions

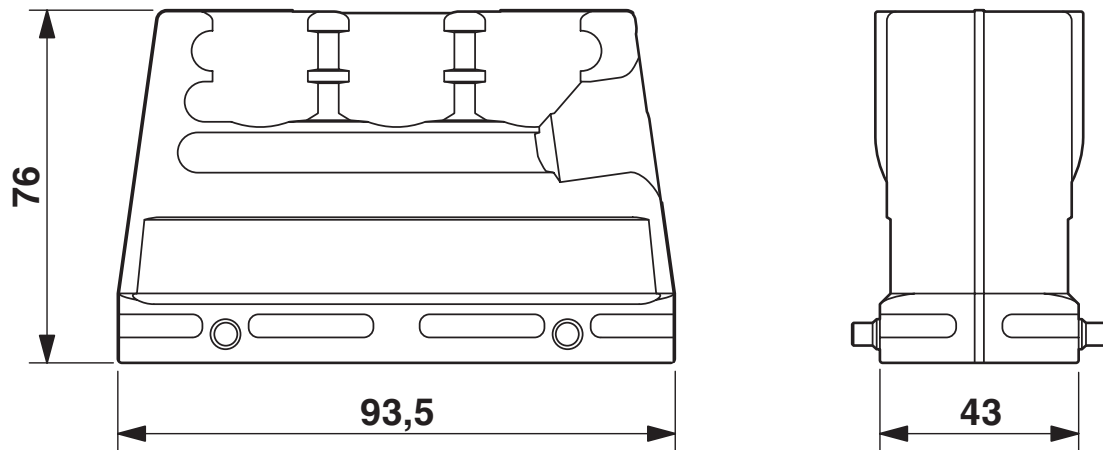
Degree of protection	IP65
Ambient temperature (operation)	-40 °C ... 100 °C

1587360

<https://www.phoenixcontact.com/us/products/1587360>

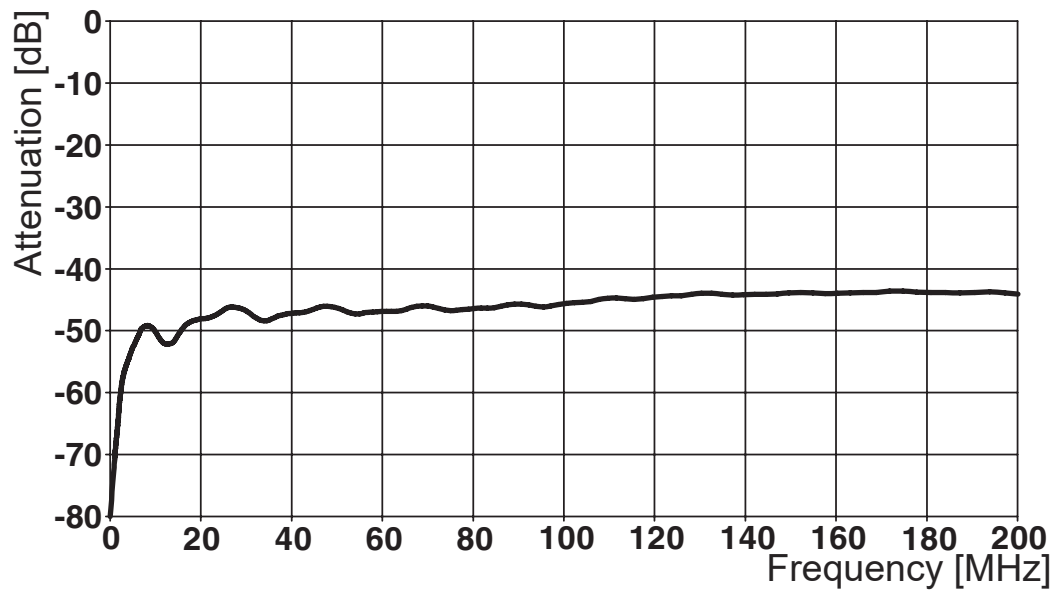
## Drawings

Dimensional drawing



Dimensional drawing

Diagram



Shield attenuation

# HC-B 16-TFQ-76/O1STM20G-EMV - EMC housing



1587360

<https://www.phoenixcontact.com/us/products/1587360>

## Classifications

### ECLASS

ECLASS-13.0	27440202
ECLASS-15.0	27440202

Phoenix Contact 2026 © - all rights reserved

<https://www.phoenixcontact.com>

Phoenix Contact USA  
586 Fulling Mill Road  
Middletown, PA 17057, United States  
(+717) 944-1300  
[info@phoenixcon.com](mailto:info@phoenixcon.com)