

# HC-B 24-SFQD-67/M1M25 - Housing



1586992

<https://www.phoenixcontact.com/us/products/1586992>

Please be informed that the data shown in this PDF document is generated from our online catalog. Please find the complete data in the user documentation. Our general terms of use for downloads are valid.



Box mounting base, for double locking latch, height 67 mm, with screw connection, 1x M25, with protective cover

## Commercial data

Item number	1586992
Packing unit	10 pc
Minimum order quantity	1 pc
Product key	AF7AAC
GTIN	4046356427081
Weight per piece (including packing)	553.2 g
Weight per piece (excluding packing)	500 g
Country of origin	DE

# HC-B 24-SFQD-67/M1M25 - Housing

1586992

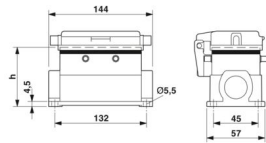
<https://www.phoenixcontact.com/us/products/1586992>

## Technical data

### Product properties

Product type	Housing with locking latch
Housing type	Surface mounting housing
Application	Standard
Type	B24
No. of cable outlets	1
Type of the screw connection	1x M25
Protective cover	yes
Shielded	no
Cable outlet	Left (view of the opened protective cover)
Pg screw connection	with

### Dimensions

Dimensional drawing	
Width	57 mm
Height	67 mm
Length	144 mm
Wrench size, union nut	25 mm

### Material specifications

Material Screw connection	Brass, nickel-plated
Material Protective cover	PA
Seal material Cable seal	NBR
Housing material	Die-cast aluminum
Housing surface material	Powder-coated, gray

### Mechanical properties

#### Mechanical data

Type of the screw connection	1x M25
Locking type	Pin

### Cable/line

External cable diameter Cable 1	9 mm ... 18 mm
---------------------------------	----------------

### Connection data

External cable diameter	9 mm ... 18 mm
-------------------------	----------------

# HC-B 24-SFQD-67/M1M25 - Housing



1586992

<https://www.phoenixcontact.com/us/products/1586992>

## Environmental and real-life conditions

### Ambient conditions

Degree of protection	IP65 (When plugged in)
Ambient temperature (operation)	-40 °C ... 125 °C

# HC-B 24-SFQD-67/M1M25 - Housing

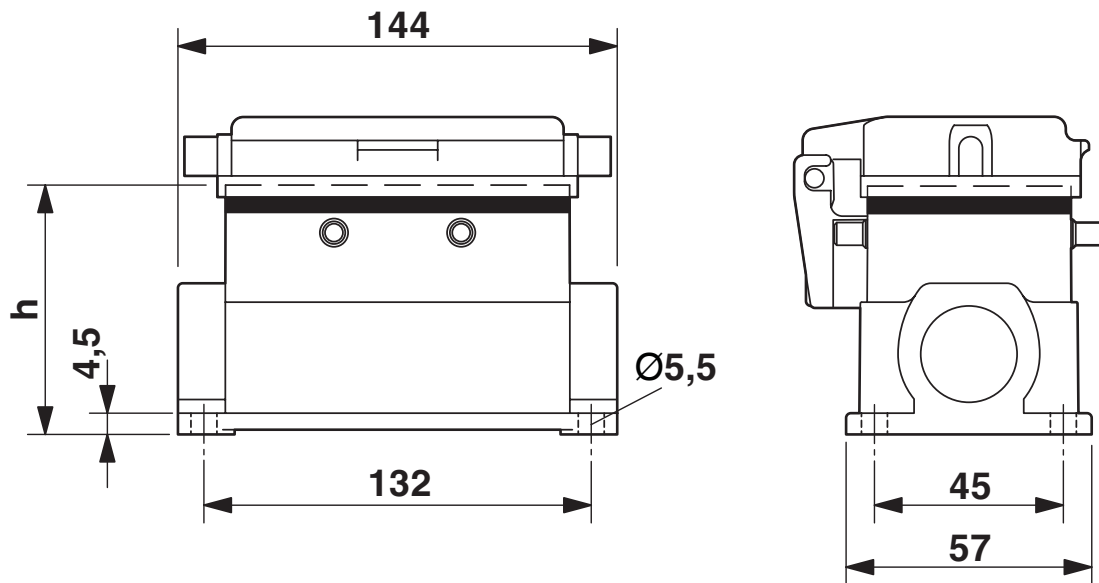


1586992

<https://www.phoenixcontact.com/us/products/1586992>

## Drawings

Dimensional drawing



Dimensional drawing

# HC-B 24-SFQD-67/M1M25 - Housing



1586992

<https://www.phoenixcontact.com/us/products/1586992>

## Classifications

### ECLASS

ECLASS-13.0	27440202
ECLASS-15.0	27440202

### UNSPSC

UNSPSC 21.0	31261501
-------------	----------

# HC-B 24-SFQD-67/M1M25 - Housing



1586992

<https://www.phoenixcontact.com/us/products/1586992>

## Environmental product compliance

### EU RoHS

Fulfills EU RoHS substance requirements	Yes, No exemptions
---	--------------------

### China RoHS

Environment friendly use period (EFUP)	EFUP-E
	No hazardous substances above the limits

### EU REACH SVHC

REACH candidate substance (CAS No.)	No substance above 0.1 wt%
-------------------------------------	----------------------------

Phoenix Contact 2026 © - all rights reserved  
<https://www.phoenixcontact.com>

Phoenix Contact USA  
586 Fulling Mill Road  
Middletown, PA 17057, United States  
(+717) 944-1300  
[info@phoenixcon.com](mailto:info@phoenixcon.com)