

HC-B 24-SMLD-67/M2M25 - Housing

1586963

<https://www.phoenixcontact.com/us/products/1586963>

Please be informed that the data shown in this PDF document is generated from our online catalog. Please find the complete data in the user documentation. Our general terms of use for downloads are valid.



Box mounting base, with single locking latch, height 67 mm, with screw connection, 2x M25, with protective cover

Commercial data

Item number	1586963
Packing unit	10 pc
Minimum order quantity	1 pc
Product key	AF7AAC
GTIN	4046356427050
Weight per piece (including packing)	500 g
Weight per piece (excluding packing)	500 g
Country of origin	DE

HC-B 24-SMLD-67/M2M25 - Housing

1586963

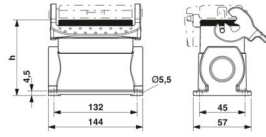
<https://www.phoenixcontact.com/us/products/1586963>

Technical data

Product properties

Product type	Housing with locking latch
Housing type	Surface mounting housing
Application	Standard
Type	B24
No. of cable outlets	2
Type of the screw connection	2x M25
Protective cover	yes
Shielded	no
Cable outlet	lateral
Pg screw connection	with

Dimensions

Dimensional drawing	
Width	57 mm
Height	67 mm
Length	144 mm
Wrench size, union nut	25 mm

Material specifications

Material Screw connection	Brass, nickel-plated
Material Protective cover	PA
Seal material Cable seal	NBR
Housing material	Die-cast aluminum
Housing surface material	Powder-coated, gray
Locking latch material	Stainless steel, handle: PA

Mechanical properties

Mechanical data

Type of the screw connection	2x M25
Locking type	Latch

Cable/line

External cable diameter Cable 1	9 mm ... 18 mm (Cable 1)
External cable diameter Cable 2	9 mm ... 18 mm (Cable 2)

Connection data

HC-B 24-SMLD-67/M2M25 - Housing



1586963

<https://www.phoenixcontact.com/us/products/1586963>

External cable diameter	9 mm ... 18 mm (Cable 1)
-------------------------	--------------------------

Environmental and real-life conditions

Ambient conditions

Degree of protection	IP65 (When plugged in)
	IP54 (with closed protective cover)
Ambient temperature (operation)	-40 °C ... 125 °C

HC-B 24-SMLD-67/M2M25 - Housing

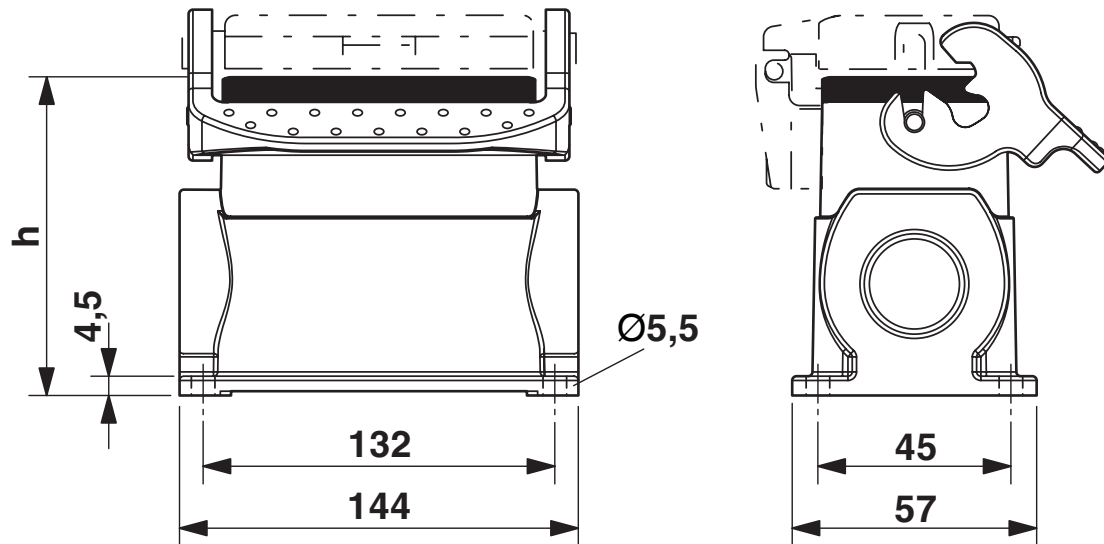


1586963

<https://www.phoenixcontact.com/us/products/1586963>

Drawings

Dimensional drawing



Dimensional drawing; h = 67 mm

HC-B 24-SMLD-67/M2M25 - Housing



1586963

<https://www.phoenixcontact.com/us/products/1586963>

Classifications

ECLASS

ECLASS-13.0	27440202
ECLASS-15.0	27440202

UNSPSC

UNSPSC 21.0	31261501
-------------	----------

HC-B 24-SMLD-67/M2M25 - Housing



1586963

<https://www.phoenixcontact.com/us/products/1586963>

Environmental product compliance

EU RoHS

Fulfills EU RoHS substance requirements	Yes, No exemptions
---	--------------------

China RoHS

Environment friendly use period (EFUP)	EFUP-E
	No hazardous substances above the limits

EU REACH SVHC

REACH candidate substance (CAS No.)	No substance above 0.1 wt%
-------------------------------------	----------------------------

Phoenix Contact 2026 © - all rights reserved
<https://www.phoenixcontact.com>

Phoenix Contact USA
586 Fulling Mill Road
Middletown, PA 17057, United States
(+717) 944-1300
info@phoenixcon.com