

HC-B 16-SFQD-67/M1M25 - Housing



1586918

<https://www.phoenixcontact.com/us/products/1586918>

Please be informed that the data shown in this PDF document is generated from our online catalog. Please find the complete data in the user documentation. Our general terms of use for downloads are valid.

Box mounting base for double locking latch, height 67 mm, with screw connection, 1x M25



Commercial data

Item number	1586918
Packing unit	10 pc
Minimum order quantity	1 pc
Product key	AF7AAC
GTIN	4046356427005
Weight per piece (including packing)	386.21 g
Weight per piece (excluding packing)	386.21 g
Country of origin	DE

HC-B 16-SFQD-67/M1M25 - Housing

1586918

<https://www.phoenixcontact.com/us/products/1586918>

Technical data

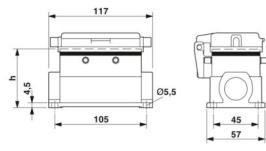
Notes

General	For contact inserts HC-B16, BB32, BBB40, D40, DD72, HS6, M, K
---------	---

Product properties

Product type	Housing with locking latch
Housing type	Surface mounting housing
Application	Standard
Type	B16
No. of cable outlets	1
Type of the screw connection	1x M25
Protective cover	yes
Shielded	no
Cable outlet	Left (view of the opened protective cover)
Pg screw connection	with

Dimensions

Dimensional drawing	
Width	57 mm
Height	67 mm
Length	117 mm
Wrench size, union nut	25 mm

Material specifications

Material Screw connection	Brass, nickel-plated
Material Protective cover	PA
Seal material Cable seal	NBR
Housing material	Die-cast aluminum
Housing surface material	Powder-coated, gray

Mechanical properties

Mechanical data

Type of the screw connection	1x M25
Locking type	Latch

Cable/line

External cable diameter Cable 1	9 mm ... 18 mm
---------------------------------	----------------

HC-B 16-SFQD-67/M1M25 - Housing



1586918

<https://www.phoenixcontact.com/us/products/1586918>

Connection data

External cable diameter	9 mm ... 18 mm
-------------------------	----------------

Environmental and real-life conditions

Ambient conditions

Degree of protection	IP65 (When plugged in)
Ambient temperature (operation)	-40 °C ... 125 °C

HC-B 16-SFQD-67/M1M25 - Housing

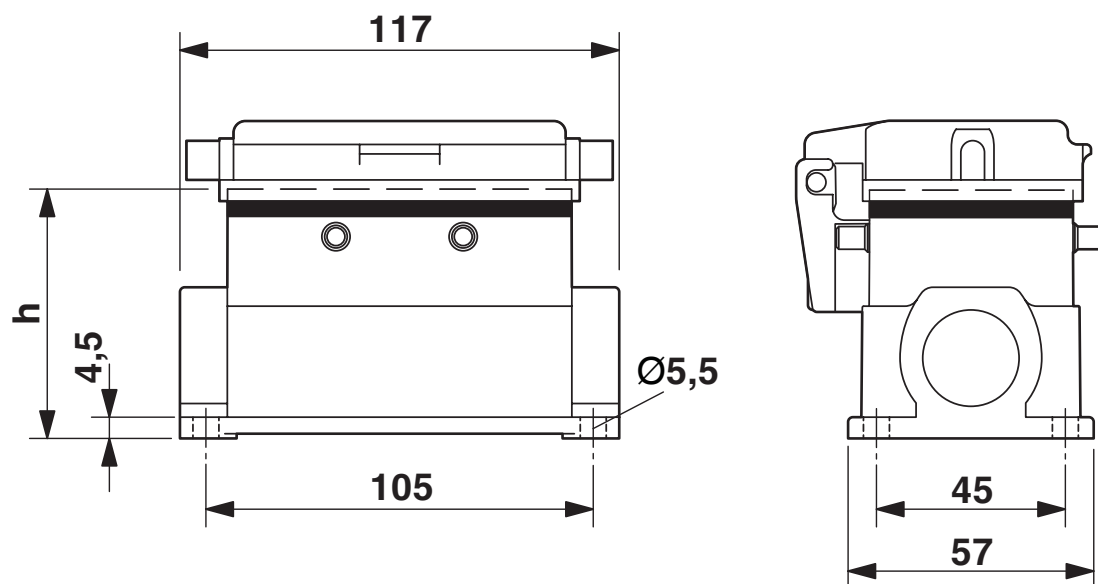
1586918

<https://www.phoenixcontact.com/us/products/1586918>



Drawings

Dimensional drawing



Dimensional drawing

HC-B 16-SFQD-67/M1M25 - Housing



1586918

<https://www.phoenixcontact.com/us/products/1586918>

Classifications

ECLASS

ECLASS-13.0	27440202
ECLASS-15.0	27440202

UNSPSC

UNSPSC 21.0	31261501
-------------	----------

HC-B 16-SFQD-67/M1M25 - Housing



1586918

<https://www.phoenixcontact.com/us/products/1586918>

Environmental product compliance

EU RoHS

Fulfills EU RoHS substance requirements	Yes, No exemptions
---	--------------------

China RoHS

Environment friendly use period (EFUP)	EFUP-E
	No hazardous substances above the limits

EU REACH SVHC

REACH candidate substance (CAS No.)	No substance above 0.1 wt%
-------------------------------------	----------------------------

Phoenix Contact 2026 © - all rights reserved
<https://www.phoenixcontact.com>

Phoenix Contact USA
586 Fulling Mill Road
Middletown, PA 17057, United States
(+717) 944-1300
info@phoenixcon.com