

HC-HS 2-D7-ESTS - Contact insert



1586277

<https://www.phoenixcontact.com/us/products/1586277>

Please be informed that the data shown in this PDF document is generated from our online catalog. Please find the complete data in the user documentation. Our general terms of use for downloads are valid.



Contact insert, number of positions: 2+PE, size: D7, power contacts: 2, Pin, Axial screw connection, 400 V, 40 A, 4 mm² ... 10 mm², application: Power

Your advantages

- Shock and vibration-resistant in accordance with DIN EN 61373

Commercial data

Item number	1586277
Packing unit	10 pc
Minimum order quantity	10 pc
Sales key	BF61
Product key	AF7ABJ
GTIN	4046356410229
Weight per piece (including packing)	23.6 g
Weight per piece (excluding packing)	23.6 g
Customs tariff number	85366990
Country of origin	DE

Technical data

Mounting

<p>Assembly note</p>	<p>To ensure correct use, installation in housing with IP54 protection or better is required</p> <p>Note regarding axial connection technology: Only for stranded wires. The specified conductor cross-sections refer to the geometric cross section of the cable used. Cables with a geometric cross section which deviates significantly from the nominal cable cross section must be checked before use. The axial connection technology connection space is designed for fine strand cables according to VDE 0295 Class 5. Deviating cable structures (e.g., Class 6 cables) must be checked before use.</p> <p>Assembly instructions Before assembly, ensure that the tapered screw is fully loosened (chamber is open). Cables must not be twisted. The wires must be pushed into the contact chamber as far as they will go (until the insulation touches the contact). Hold the wires in position and tighten using an Allen key. The used wire end must be cut off before reconnection. The terminal screw must only be retightened once to prevent the litz wires from breaking. To prevent damage to the contact, the wire/cable must be mechanically held at an appropriate distance from the connection point (e.g., when used in a plate cut out). For notes on correct execution, see DIN VDE 0100-520:2003-06. Unused connections must be tightened with maximum torque.</p>
<p>Hexagonal socket</p>	<p>SW2,0</p>

Product properties

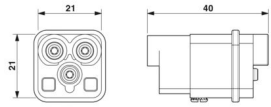
<p>Product type</p>	<p>Contact insert with a fixed no. of positions</p>
<p>Series</p>	<p>HC-HS</p>
<p>Application</p>	<p>Power</p>
<p>Type</p>	<p>D7</p>
<p>Number of positions</p>	<p>2</p>
<p>Connection profile</p>	<p>2+PE</p>
<p>Contact numbering</p>	<p>1 - 2</p>
<p>No. of power contacts</p>	<p>2</p>
<p>Contact material type</p>	<p>turned</p>
<p>Insulation characteristics</p>	
<p>Overvoltage category</p>	<p>III</p>
<p>Degree of pollution</p>	<p>3</p>

Dimensions

HC-HS 2-D7-ESTS - Contact insert

1586277

<https://www.phoenixcontact.com/us/products/1586277>

Dimensional drawing	
Width	21 mm
Height	40 mm
Length	21 mm

Mechanical characteristics

Contact diameter	4 mm
------------------	------

Connection data

Connection technology

Connection technology	Axial screw connection
Connection in acc. with standard	IEC / EN

Conductor connection

Conductor cross-section	4 mm ² ... 10 mm ² (The cross section specification refers to the geometric cross section of the cable used)
Connection cross section AWG	10 ... 8
Tightening torque	0.5 Nm ... 0.8 Nm (Mounting screws for mounting in the HEAVYCON housing) 1.8 Nm
Stripping length of the individual wire	8 mm +1 mm

Electrical properties

Rated voltage (III/3)	400 V
Rated surge voltage	6 kV
Rated current	40 A

Mechanical properties

Mechanical data

Insertion/withdrawal cycles	≥ 500
-----------------------------	-------

Material specifications

Flammability rating according to UL 94	V0
Seal material	NBR
Contact material	Copper alloy
Contact surface material	Ag
Contact carrier material	PC

Environmental and real-life conditions

Ambient conditions

Ambient temperature (operation)	-40 °C ... 125 °C (including heating up of contacts)
---------------------------------	--

HC-HS 2-D7-ESTS - Contact insert



1586277

<https://www.phoenixcontact.com/us/products/1586277>

Standards and regulations

Constructional and testing regulations	DIN VDE 0627/86
	DIN VDE 0110/02.79
	DIN VDE 0110-1/04.97
	IEC 60664-1, DIN IEC 60512
	IEC 60352
Tests	DIN VDE 0627/86
	DIN VDE 0110/02.79
	DIN VDE 0110-1/04.97
	IEC 60664-1, DIN IEC 60512
	IEC 60352

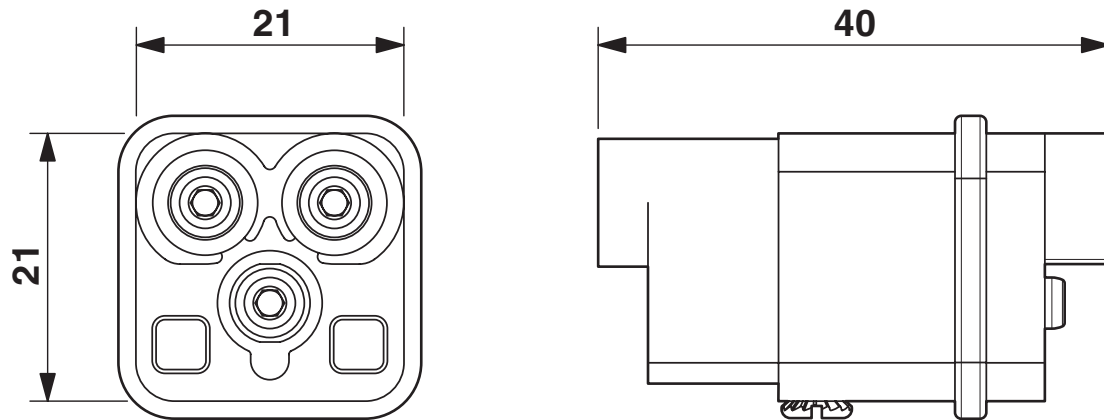
HC-HS 2-D7-ESTS - Contact insert

1586277

<https://www.phoenixcontact.com/us/products/1586277>

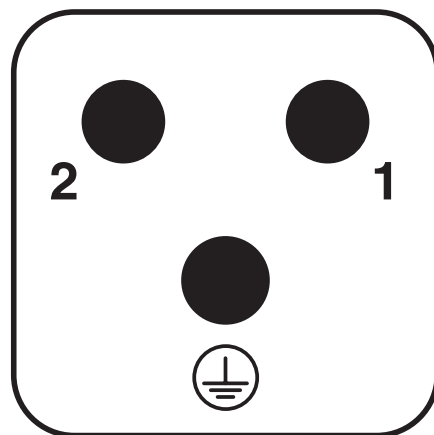
Drawings

Dimensional drawing



Male insert

Schematic diagram

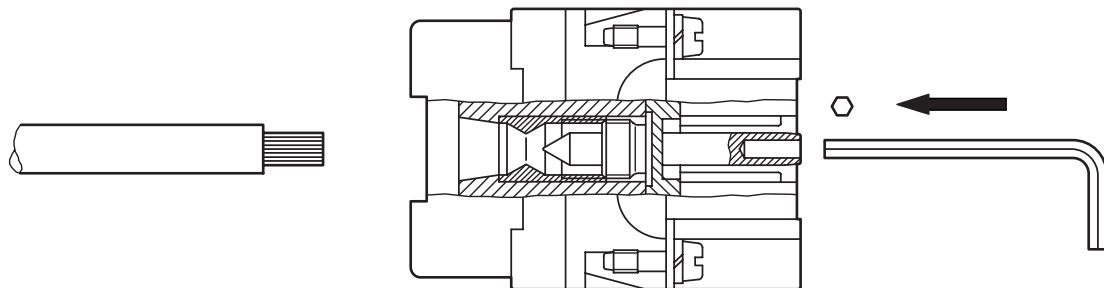


HC-HS 2-D7-ESTS - Contact insert

1586277

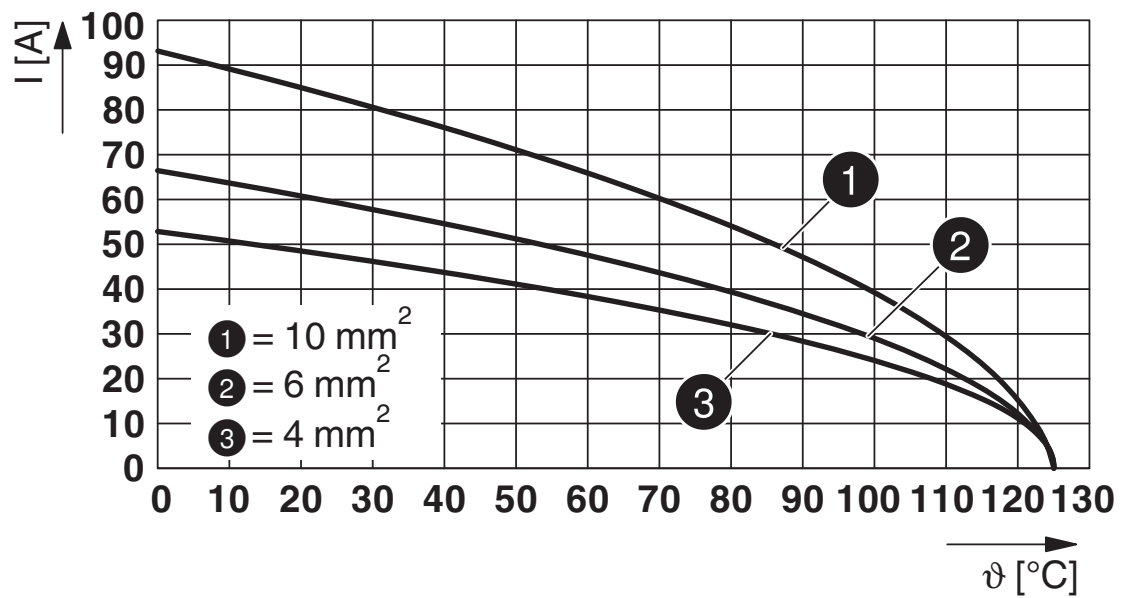
<https://www.phoenixcontact.com/us/products/1586277>

Schematic diagram



Axial screw connection

Diagram



Derating diagram

HC-HS 2-D7-ESTS - Contact insert



1586277

<https://www.phoenixcontact.com/us/products/1586277>

Classifications

ECLASS

ECLASS-13.0	27440205
ECLASS-15.0	27440205

ETIM

ETIM 9.0	EC000438
----------	----------

UNSPSC

UNSPSC 21.0	39121500
-------------	----------

HC-HS 2-D7-ESTS - Contact insert



1586277

<https://www.phoenixcontact.com/us/products/1586277>

Environmental product compliance

EU RoHS

Fulfills EU RoHS substance requirements	Yes
Exemption	6(c)

China RoHS

Environment friendly use period (EFUP)	EFUP-50
	An article-related China RoHS declaration table can be found in the download area for the respective article under "Manufacturer declaration". For all articles with EFUP-E, no China RoHS declaration table issued and required.

EU REACH SVHC

REACH candidate substance (CAS No.)	Lead(CAS: 7439-92-1)
SCIP	b1f08ca5-21ba-4986-8c25-db79b7fb01da

Phoenix Contact 2026 © - all rights reserved

<https://www.phoenixcontact.com>

Phoenix Contact USA
586 Fulling Mill Road
Middletown, PA 17057, United States
(+717) 944-1300
info@phoenixcon.com