

CK4,0-ED-10,00ST AG - Crimp contact



1586198

<https://www.phoenixcontact.com/us/products/1586198>

Please be informed that the data shown in this PDF document is generated from our online catalog. Please find the complete data in the user documentation. Our general terms of use for downloads are valid.



Crimp contact, series: HC-M-03, Pin, turned, contact diameter: 4 mm, connection cross section: 10 mm² ... 10 mm², AWG 8...8, contact material: Cu alloy

Commercial data

Item number	1586198
Packing unit	25 pc
Minimum order quantity	25 pc
Sales key	BF65
Product key	AF7AIE
GTIN	4046356360234
Weight per piece (including packing)	3.116 g
Weight per piece (excluding packing)	3.06 g
Customs tariff number	85366990
Country of origin	DE

CK4,0-ED-10,00ST AG - Crimp contact



1586198

<https://www.phoenixcontact.com/us/products/1586198>

Technical data

Notes

General	for HC-M-02, HC-M-03, HC-M-03/04, HC-M-04, HC-Q02, HC-Q03, HC-Q04, and HC-COM-Q4/2 contact carriers
Assembly note	The quality of a crimp connection is determined by DIN EN 60352-2.

Product properties

Product type	Crimp contact
Series	HC-M-03
	HC-M-03/04
	HC-M-04
	HC-K
	HC-M-02
	HC-HS
	HC-COM
Contact material type	turned

Connection data

Connection technology

Contact connection type	Pin
Connection method	Crimp connection

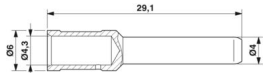
Conductor connection

Stripping length	15 mm (For wire $\varnothing \geq 4.3$ mm)
	18 mm (For wire $\varnothing \geq 6.4$ mm)
Connection cross section	10 mm ² ... 10 mm ²
Connection cross section AWG	8 ... 8

Material specifications

Material Contact	Cu alloy
Material Contact surface	Ag

Dimensions

Dimensional drawing	
Diameter (Contact diameter)	4 mm

Mechanical properties

Mechanical data

Insertion/withdrawal cycles	≥ 500
-----------------------------	------------

CK4,0-ED-10,00ST AG - Crimp contact



1586198

<https://www.phoenixcontact.com/us/products/1586198>

Environmental and real-life conditions

Ambient conditions

Ambient temperature (operation)

-40 °C ... 125 °C

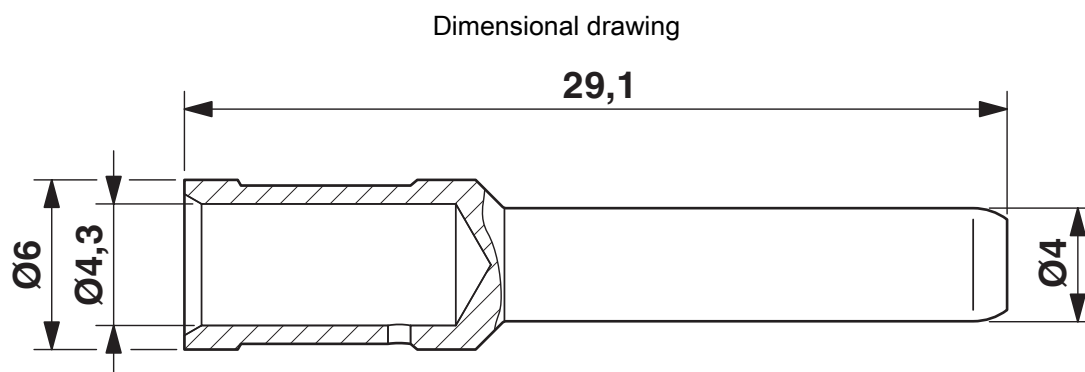
CK4,0-ED-10,00ST AG - Crimp contact



1586198

<https://www.phoenixcontact.com/us/products/1586198>

Drawings



Dimensional drawing

CK4,0-ED-10,00ST AG - Crimp contact



1586198

<https://www.phoenixcontact.com/us/products/1586198>

Classifications

ECLASS

ECLASS-13.0	27440204
ECLASS-15.0	27440204

ETIM

ETIM 10.0	EC000796
-----------	----------

UNSPSC

UNSPSC 21.0	39121500
-------------	----------

CK4,0-ED-10,00ST AG - Crimp contact



1586198

<https://www.phoenixcontact.com/us/products/1586198>

Environmental product compliance

EU RoHS

Fulfills EU RoHS substance requirements	Yes, No exemptions
---	--------------------

China RoHS

Environment friendly use period (EFUP)	EFUP-E
	No hazardous substances above the limits

EU REACH SVHC

REACH candidate substance (CAS No.)	No substance above 0.1 wt%
-------------------------------------	----------------------------

EF3.1 Climate Change

CO2e kg	0.087 kg CO2e
---------	---------------

Phoenix Contact 2026 © - all rights reserved
<https://www.phoenixcontact.com>

Phoenix Contact USA
586 Fulling Mill Road
Middletown, PA 17057, United States
(+717) 944-1300
info@phoenixcon.com