

HC-B 16-ANDOCK - Docking frame



1586138

<https://www.phoenixcontact.com/us/products/1586138>

Please be informed that the data shown in this PDF document is generated from our online catalog. Please find the complete data in the user documentation. Our general terms of use for downloads are valid.



Docking frame for racks, for contact inserts of B16 type, with four M5 flat headed screws, rack balance x/y axis ± 1.5 mm

Commercial data

Item number	1586138
Packing unit	2 pc
Minimum order quantity	2 pc
Sales key	BF66
Product key	AF7AZB
GTIN	4046356345729
Weight per piece (including packing)	109.75 g
Weight per piece (excluding packing)	50 g
Customs tariff number	85389099
Country of origin	CN

HC-B 16-ANDOCK - Docking frame



1586138

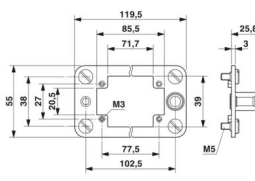
<https://www.phoenixcontact.com/us/products/1586138>

Technical data

Product properties

Product type	Docking frame
Type	B16
Number of module slots	4

Dimensions

Dimensional drawing	
Width	55 mm
Height	119.5 mm
Depth	25.8 mm

Material specifications

Material	Stainless steel
----------	-----------------

Mechanical properties

Mechanical data

Insertion/withdrawal cycles	≥ 500
-----------------------------	-------

Environmental and real-life conditions

Ambient conditions

Ambient temperature (operation)	-40 °C ... 125 °C
---------------------------------	-------------------

Mounting

Assembly note	For contact inserts from series B16, D40, DD72, BB32, BBB40, K, M
---------------	---

HC-B 16-ANDOCK - Docking frame

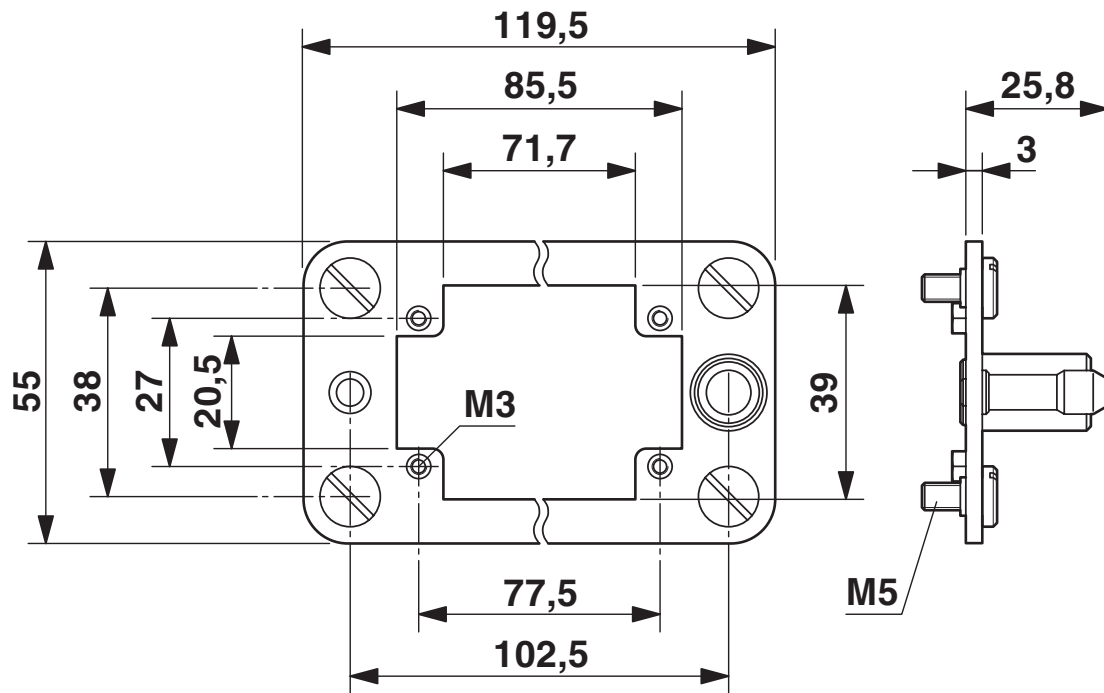


1586138

<https://www.phoenixcontact.com/us/products/1586138>

Drawings

Dimensional drawing

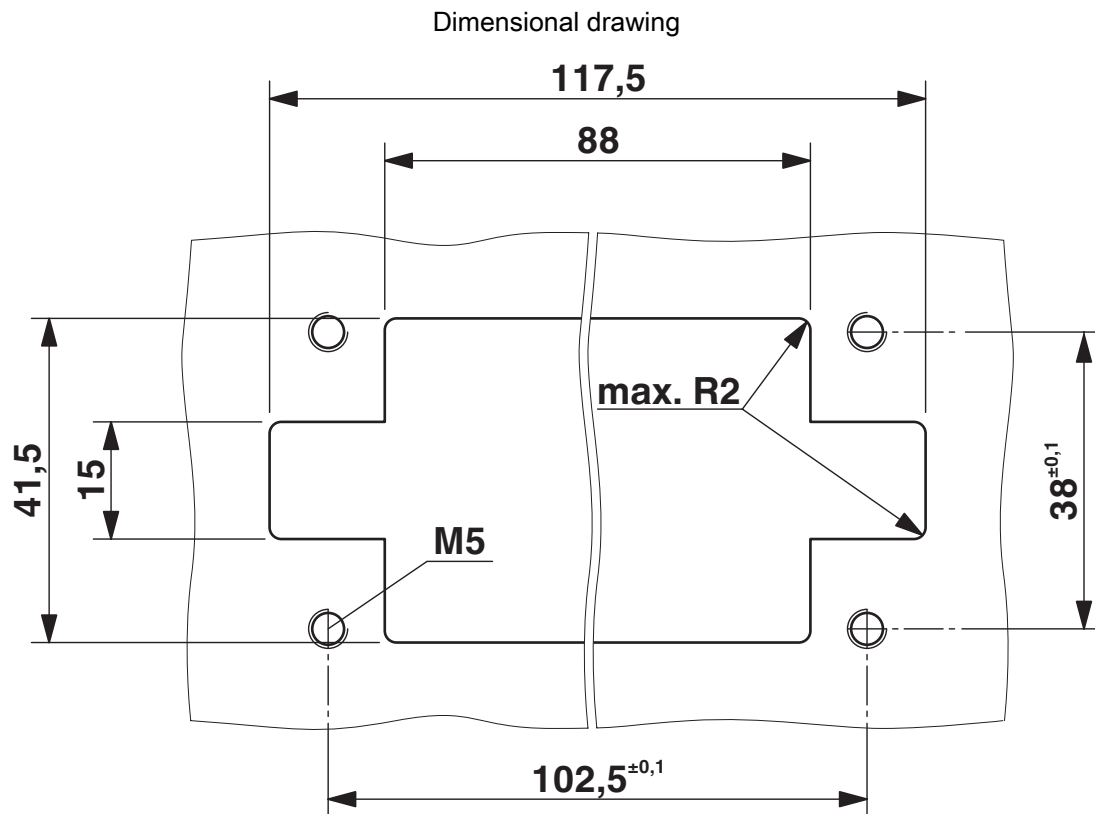


Dimensional drawing

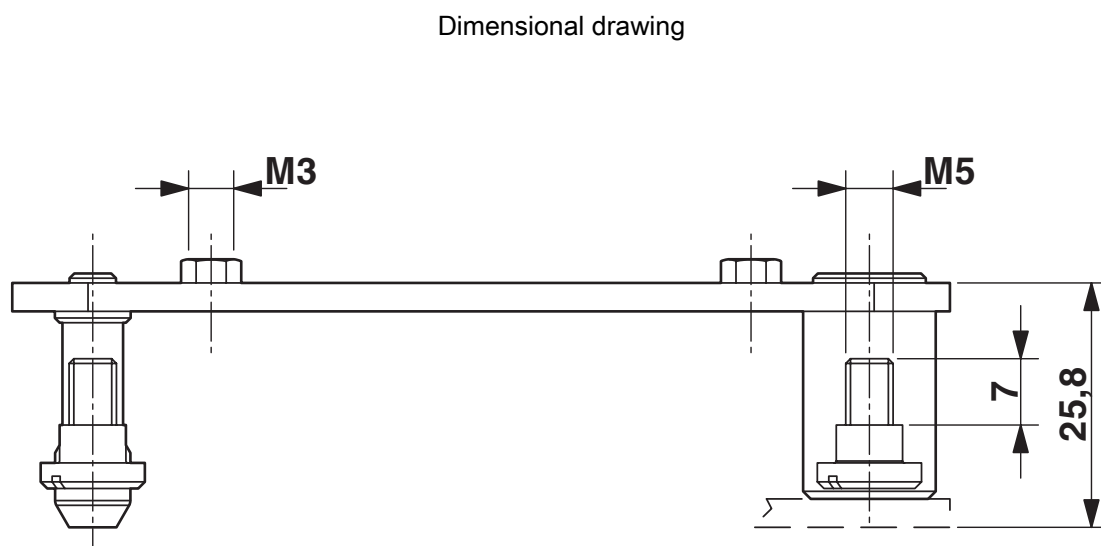
HC-B 16-ANDOCK - Docking frame

1586138

<https://www.phoenixcontact.com/us/products/1586138>



Mounting cutout



max. dimensions of both the docking frames (in case of standard contacts 25.8 mm; in case of fiber optics contacts 27 mm; in case of pneumatic contacts 26.5 mm)

HC-B 16-ANDOCK - Docking frame



1586138

<https://www.phoenixcontact.com/us/products/1586138>

Classifications

ECLASS

ECLASS-13.0	27440206
ECLASS-15.0	27440206

ETIM

ETIM 10.0	EC002312
-----------	----------

UNSPSC

UNSPSC 21.0	31261500
-------------	----------

HC-B 16-ANDOCK - Docking frame



1586138

<https://www.phoenixcontact.com/us/products/1586138>

Environmental product compliance

EU RoHS

Fulfills EU RoHS substance requirements	Yes, No exemptions
---	--------------------

China RoHS

Environment friendly use period (EFUP)	EFUP-E
	No hazardous substances above the limits

EU REACH SVHC

REACH candidate substance (CAS No.)	No substance above 0.1 wt%
-------------------------------------	----------------------------

EF3.1 Climate Change

CO2e kg	11.686 kg CO2e
---------	----------------

Phoenix Contact 2026 © - all rights reserved
<https://www.phoenixcontact.com>

Phoenix Contact USA
586 Fulling Mill Road
Middletown, PA 17057, United States
(+717) 944-1300
info@phoenixcon.com