

HC-M-03/04-MOD-STC - Contact insert module



1585799

<https://www.phoenixcontact.com/us/products/1585799>

Please be informed that the data shown in this PDF document is generated from our online catalog. Please find the complete data in the user documentation. Our general terms of use for downloads are valid.



HEAVYCON contact insert module, shock-proof pins, 3 power contacts / 4 control contacts, crimp connection

Commercial data

Item number	1585799
Packing unit	2 pc
Minimum order quantity	2 pc
Note	Made to order (non-returnable)
Sales key	BF62
Product key	AF7ACB
GTIN	4046356308397
Weight per piece (including packing)	14.38 g
Weight per piece (excluding packing)	13.85 g
Customs tariff number	85366990
Country of origin	DE

Technical data

Mounting

Assembly note	For housing heights ≥ 52 mm. Plug-in connections may only be operated only when there is no load/voltage.
	The module cannot be used simultaneously with HC-B...-TMB-SD-IP65 and HC-B...-TMS-SD-IP65 protective covers. Not suitable for CK1,6-ED-...POF fiber optic contacts.

Product properties

Product type	Modular contact insert
Series	HC-M-03/04
Application	Power/signal
Connection profile	3+4
Contact numbering	1 - 3 (power contacts)
	1 - 4 (control contacts)
Number of module slots	1
No. of power contacts	3
No. of control contacts	4
Contact material type	turned

Insulation characteristics

Overvoltage category	III
Degree of pollution	3

Connection data

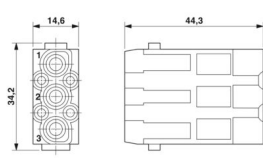
Connection technology

Connection technology	Crimp connection (power contacts)
-----------------------	-----------------------------------

Conductor connection

Conductor cross-section	1.5 mm ² ... 6 mm ² (power contacts)
	0.14 mm ² ... 2.5 mm ² (control contacts)
Connection cross section AWG	16 ... 10 (power contacts)
	26 ... 14 (control contacts)
Stripping length of the individual wire	9 mm (9.6 mm (4-6 mm ²))
	8 mm (6 mm (2,5 mm ²))

Dimensions

Dimensional drawing	
Width	34.2 mm
Height	44.3 mm

HC-M-03/04-MOD-STC - Contact insert module



1585799

<https://www.phoenixcontact.com/us/products/1585799>

Length	14.6 mm
--------	---------

Mechanical characteristics

Minimum housing height	52 mm
Contact diameter	4 mm

Electrical properties

Rated voltage (III/3)	830 V (power contacts)
	830 V (control contacts)
Rated surge voltage	8 kV (power contacts)
	8 kV (control contacts)
Rated current	40 A (power contacts)
	10 A (control contacts)

Mechanical properties

Mechanical data

Insertion/withdrawal cycles	≥ 500
-----------------------------	-------

Material specifications

Flammability rating according to UL 94	V0
Contact material	Copper alloy
Contact carrier material	PC
Material of contact surface, power contact	Ag
Material of contact surface, control contact	Ag (alternatively Au)

Environmental and real-life conditions

Ambient conditions

Ambient temperature (operation)	-40 °C ... 125 °C
---------------------------------	-------------------

HC-M-03/04-MOD-STC - Contact insert module

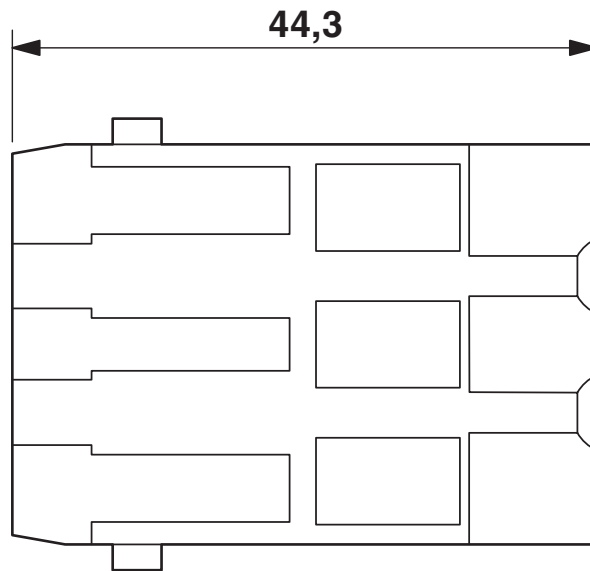
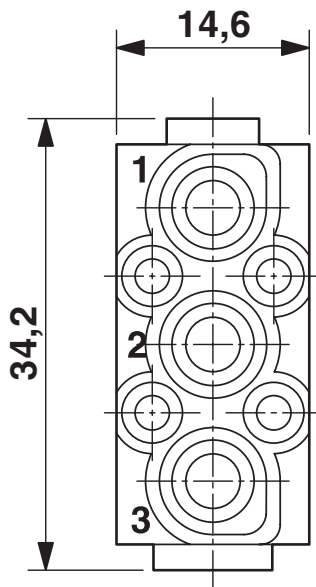


1585799

<https://www.phoenixcontact.com/us/products/1585799>

Drawings

Dimensional drawing



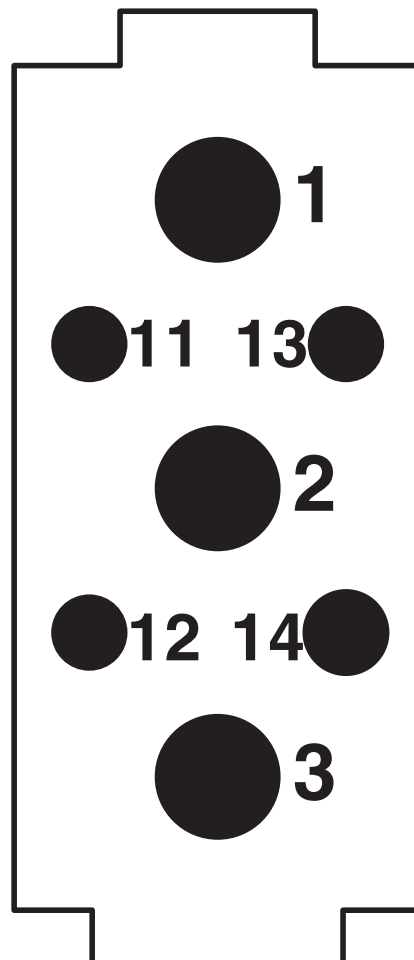
Pin module

HC-M-03/04-MOD-STC - Contact insert module

1585799

<https://www.phoenixcontact.com/us/products/1585799>

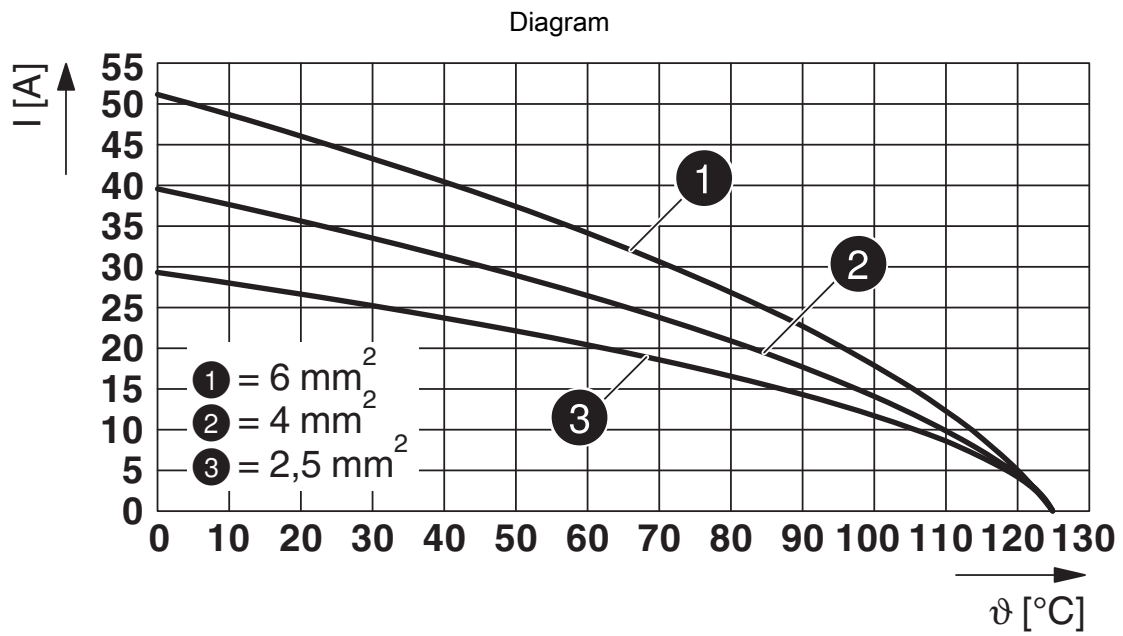
Schematic diagram



Connector pin assignment, connection side

1585799

<https://www.phoenixcontact.com/us/products/1585799>



Derating diagram

HC-M-03/04-MOD-STC - Contact insert module



1585799

<https://www.phoenixcontact.com/us/products/1585799>

Environmental product compliance

EU RoHS

Fulfills EU RoHS substance requirements	Yes, No exemptions
---	--------------------

EU REACH SVHC

REACH candidate substance (CAS No.)	No substance above 0.1 wt%
-------------------------------------	----------------------------

Phoenix Contact 2026 © - all rights reserved

<https://www.phoenixcontact.com>

Phoenix Contact USA
586 Fulling Mill Road
Middletown, PA 17057, United States
(+717) 944-1300
info@phoenixcon.com