

# CK2,5-ED-0,5ST CUNI - Crimp contact



1585744

<https://www.phoenixcontact.com/us/products/1585744>

Please be informed that the data shown in this PDF document is generated from our online catalog. Please find the complete data in the user documentation. Our general terms of use for downloads are valid.



Crimp contact, series: HC-M-06; HC-M-HV; HC-M-08; HC-A; HC-BB; HC-B; HC-HV, Pin, turned, contact diameter: 2.5 mm, rated current: 16 A, contact material: CuNi

## Commercial data

Item number	1585744
Packing unit	25 pc
Minimum order quantity	25 pc
Sales key	BF65
Product key	AF7AID
GTIN	4046356308243
Weight per piece (including packing)	1.4 g
Weight per piece (excluding packing)	1.3 g
Customs tariff number	85366990
Country of origin	DE

# CK2,5-ED-0,5ST CUNI - Crimp contact



1585744

<https://www.phoenixcontact.com/us/products/1585744>

## Technical data

### Notes

General	For HC-M-06, HC-M-HV, HC-M-08, HC-A, HC-BB, HC-B and HC-HV contact inserts, the quality of a crimp connection is determined by the DIN EN 60 352-2
Assembly note	The quality of a crimp connection is determined by DIN EN 60352-2.

### Product properties

Product type	Thermal contact
Series	HC-M-06; HC-M-HV; HC-M-08; HC-A; HC-BB; HC-B; HC-HV
Contact material type	turned

### Electrical properties

Rated current	16 A
---------------	------

### Connection data

#### Connection technology

Contact connection type	Pin
Connection method	Crimp connection

#### Conductor connection

Stripping length	7.5 mm (9.5 mm at HC-M-HV...)
------------------	-------------------------------

### Dimensions

Dimensional drawing	
Width [w]	4.5 mm
Height [h]	4.5 mm
Depth	25 mm
Diameter (Contact diameter)	2.5 mm

### Material specifications

Material Contact	CuNi (Constantan)
------------------	-------------------

### Mechanical properties

#### Mechanical data

Insertion/withdrawal cycles	≥ 500
-----------------------------	-------

### Environmental and real-life conditions

#### Ambient conditions

# CK2,5-ED-0,5ST CUNI - Crimp contact



1585744

<https://www.phoenixcontact.com/us/products/1585744>

Ambient temperature (operation)

-40 °C ... 125 °C

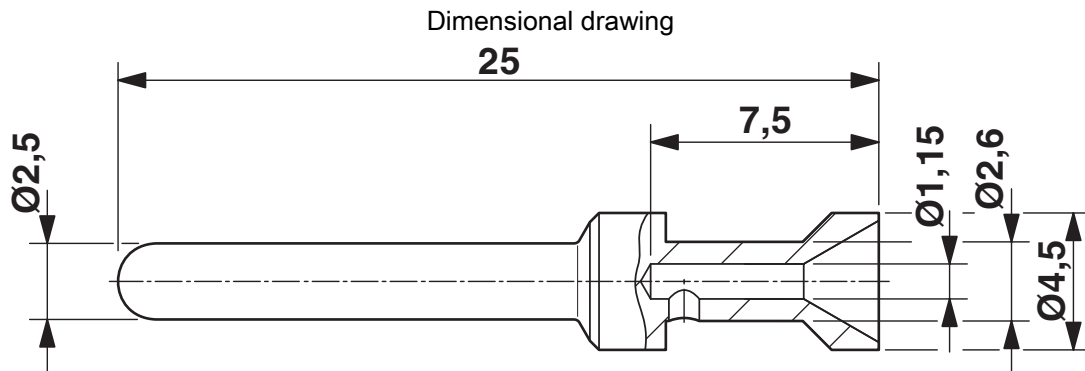
# CK2,5-ED-0,5ST CUNI - Crimp contact



1585744

<https://www.phoenixcontact.com/us/products/1585744>

## Drawings



Dimensional drawing

# CK2,5-ED-0,5ST CUNI - Crimp contact



1585744

<https://www.phoenixcontact.com/us/products/1585744>

## Classifications

### ECLASS

ECLASS-13.0	27440204
ECLASS-15.0	27440204

### ETIM

ETIM 10.0	EC000796
-----------	----------

### UNSPSC

UNSPSC 21.0	39121500
-------------	----------

# CK2,5-ED-0,5ST CUNI - Crimp contact



1585744

<https://www.phoenixcontact.com/us/products/1585744>

## Environmental product compliance

### EU RoHS

Fulfills EU RoHS substance requirements	Yes, No exemptions
---	--------------------

### China RoHS

Environment friendly use period (EFUP)	EFUP-E
	No hazardous substances above the limits

### EU REACH SVHC

REACH candidate substance (CAS No.)	No substance above 0.1 wt%
-------------------------------------	----------------------------

Phoenix Contact 2026 © - all rights reserved  
<https://www.phoenixcontact.com>

Phoenix Contact USA  
586 Fulling Mill Road  
Middletown, PA 17057, United States  
(+717) 944-1300  
[info@phoenixcon.com](mailto:info@phoenixcon.com)