

HC-A04-I-PT-F - Contact insert

1585281

<https://www.phoenixcontact.com/us/products/1585281>

Please be informed that the data shown in this PDF document is generated from our online catalog. Please find the complete data in the user documentation. Our general terms of use for downloads are valid.



Contact insert, number of positions: 4+PE, size: D7, number of connections per position: 1, Socket, Push-in connection, 230 V/400 V, 10 A, 0.14 mm² ... 1.5 mm²

Your advantages

- Easy installation without tools, even when mounted, with push-in connection technology
- Shortest installation time compared to other connection technologies
- Quick and effortless wiring, in particular when space is tight
- Automatic cabling with robots possible
- Safe wiring and operation with color-coded actuators
- Shock and vibration-resistant in accordance with DIN EN 61373
- Cost-effective and fast coding with plastic profiles

Commercial data

| | |
|--------------------------------------|---------------|
| Item number | 1585281 |
| Packing unit | 1 pc |
| Minimum order quantity | 10 pc |
| Sales key | BF61 |
| Product key | AF7ABJ |
| GTIN | 4046356285018 |
| Weight per piece (including packing) | 14.5 g |
| Weight per piece (excluding packing) | 14.2 g |
| Customs tariff number | 85366990 |
| Country of origin | CN |

HC-A04-I-PT-F - Contact insert

1585281

<https://www.phoenixcontact.com/us/products/1585281>

Technical data

Mounting

| | |
|---------------|---|
| Assembly note | To ensure correct use, installation in housing with IP54 protection or better is required |
|---------------|---|

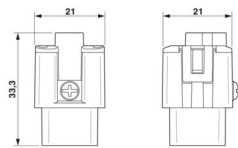
Product properties

| | |
|------------------------------------|--|
| Product type | Contact insert with a fixed no. of positions |
| Series | HC-A |
| Type | D7 |
| Number of positions | 4 |
| Connection profile | 4+PE |
| Contact numbering | 1 - 4 |
| Number of connections per position | 1 |
| Contact material type | rolled |

Insulation characteristics

| | |
|----------------------|-----|
| Overvoltage category | III |
| Degree of pollution | 3 |

Dimensions

| | |
|---------------------|--|
| Dimensional drawing |  |
| Width | 21 mm |
| Height | 33.5 mm |
| Length | 21 mm |

Mechanical characteristics

| | |
|------------------|--------|
| Contact diameter | 1.6 mm |
|------------------|--------|

Connection data

Connection technology

| | |
|------------------------------------|--------------------|
| Connection technology | Push-in connection |
| Number of connections per position | 1 |
| Connection in acc. with standard | IEC / EN |

Conductor connection

| | |
|---|--|
| Conductor cross-section | 0.14 mm ² ... 1.5 mm ² |
| Connection cross section AWG | 26 ... 16 |
| Tightening torque | 0.5 Nm ... 0.8 Nm (Mounting screws for mounting in the HEAVYCON housing) |
| Stripping length of the individual wire | 10 mm |

HC-A04-I-PT-F - Contact insert



1585281

<https://www.phoenixcontact.com/us/products/1585281>

Electrical properties

| | |
|----------------------------------|-----------------------------|
| Rated voltage (III/3) | 230 V (Conductor-PE) |
| | 400 V (Conductor-Conductor) |
| Rated voltage for power contacts | 230/400 V |
| Rated surge voltage | 4 kV |
| Rated current | 10 A |

Mechanical properties

Mechanical data

| | |
|-----------------------------|-------|
| Insertion/withdrawal cycles | ≥ 500 |
|-----------------------------|-------|

Material specifications

| | |
|--|----|
| Flammability rating according to UL 94 | V0 |
| Contact surface material | Ag |
| Contact carrier material | PC |
| Standards/regulations | PC |

Environmental and real-life conditions

Ambient conditions

| | |
|---------------------------------|-------------------|
| Degree of protection | IP20 |
| Ambient temperature (operation) | -40 °C ... 125 °C |

Standards and regulations

Testing

| | |
|-----------------------|---|
| Standards/regulations | PC: Fire protection in rail vehicles - requirement sets R22, R23, and R24 acc. to DIN EN 45545-2 (Risk level HL1 - HL3) |
|-----------------------|---|

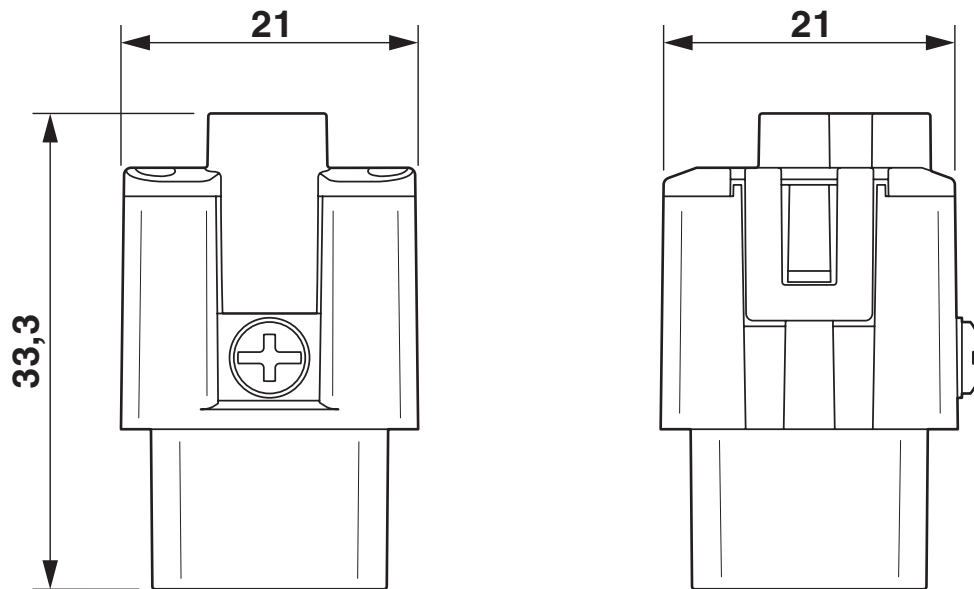
HC-A04-I-PT-F - Contact insert

1585281

<https://www.phoenixcontact.com/us/products/1585281>

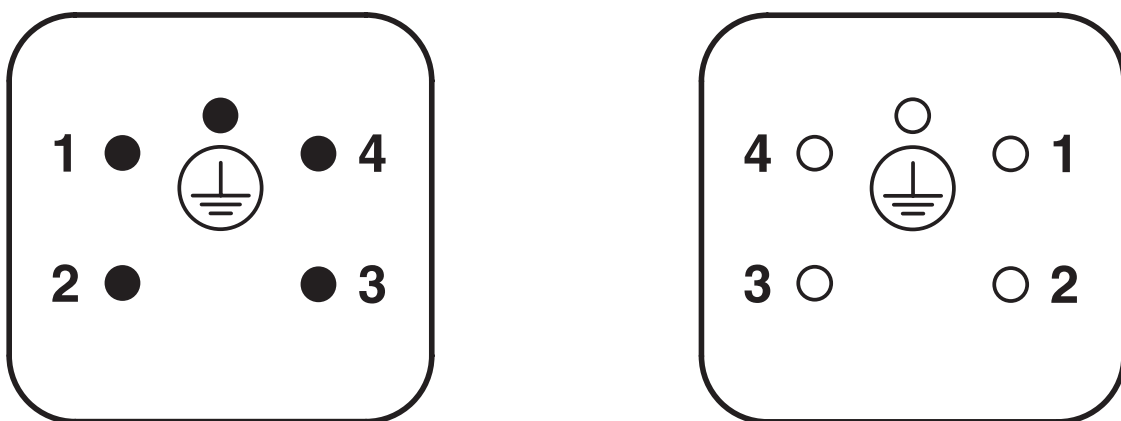
Drawings

Dimensional drawing



Female insert

Schematic diagram



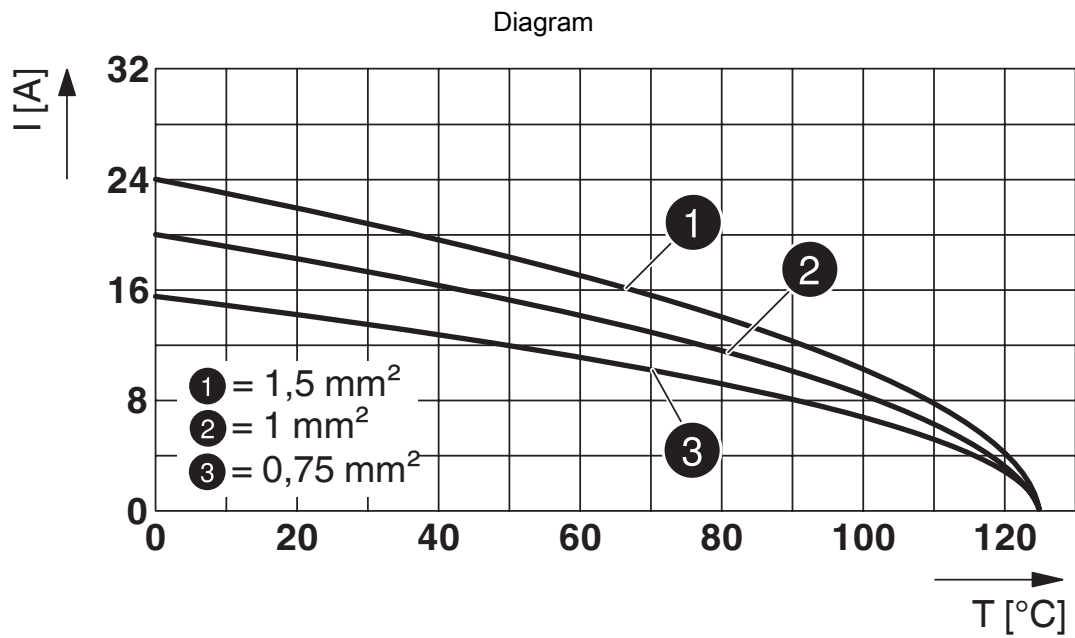
Connector pin assignment connection side: Left pin; right socket

HC-A04-I-PT-F - Contact insert



1585281

<https://www.phoenixcontact.com/us/products/1585281>



Derating diagram

HC-A04-I-PT-F - Contact insert



1585281

<https://www.phoenixcontact.com/us/products/1585281>

Approvals

To download certificates, visit the product detail page: <https://www.phoenixcontact.com/us/products/1585281>

DNV

Approval ID: TAE000037S



CSA

Approval ID: 13631

| | Nominal voltage U_N | Nominal current I_N | Cross section AWG | Cross section mm^2 |
|-------|-----------------------|-----------------------|-------------------|-----------------------------|
| keine | | | | |
| | 600 V | 14 A | - 16 | - |



UL Recognized

Approval ID: E118976

| | Nominal voltage U_N | Nominal current I_N | Cross section AWG | Cross section mm^2 |
|-------|-----------------------|-----------------------|-------------------|-----------------------------|
| keine | | | | |
| | 600 V | 16 A | - 16 | - |



UL Recognized

Approval ID: E468743

| | Nominal voltage U_N | Nominal current I_N | Cross section AWG | Cross section mm^2 |
|-------|-----------------------|-----------------------|-------------------|-----------------------------|
| keine | | | | |
| | 600 V | 16 A | - | - |

HC-A04-I-PT-F - Contact insert



1585281

<https://www.phoenixcontact.com/us/products/1585281>

Classifications

ECLASS

| | |
|-------------|----------|
| ECLASS-13.0 | 27440205 |
| ECLASS-15.0 | 27440205 |

ETIM

| | |
|-----------|----------|
| ETIM 10.0 | EC000438 |
|-----------|----------|

UNSPSC

| | |
|-------------|----------|
| UNSPSC 21.0 | 39121500 |
|-------------|----------|

HC-A04-I-PT-F - Contact insert



1585281

<https://www.phoenixcontact.com/us/products/1585281>

Environmental product compliance

EU RoHS

| | |
|---|--------------------|
| Fulfills EU RoHS substance requirements | Yes, No exemptions |
|---|--------------------|

China RoHS

| | |
|--|--|
| Environment friendly use period (EFUP) | EFUP-E |
| | No hazardous substances above the limits |

EU REACH SVHC

| | |
|-------------------------------------|----------------------------|
| REACH candidate substance (CAS No.) | No substance above 0.1 wt% |
|-------------------------------------|----------------------------|

Phoenix Contact 2026 © - all rights reserved
<https://www.phoenixcontact.com>

Phoenix Contact USA
586 Fulling Mill Road
Middletown, PA 17057, United States
(+717) 944-1300
info@phoenixcon.com