

# HC-B 16-ADP/1DSUB37/VPE250 - Adapter plate



1585207

<https://www.phoenixcontact.com/us/products/1585207>

Please be informed that the data shown in this PDF document is generated from our online catalog. Please find the complete data in the user documentation. Our general terms of use for downloads are valid.

D-SUB adapter plate, for one D-SUB connector, no. of positions 37, housing series HC-B 16...



## Product description

Adapter plate, incl. mounting screws

## Commercial data

Item number	1585207
Packing unit	250 pc
Minimum order quantity	250 pc
Product key	AF7AZD
GTIN	4046356283311
Weight per piece (including packing)	18.62 g
Weight per piece (excluding packing)	17.4 g
Country of origin	DE

# HC-B 16-ADP/1DSUB37/VPE250 - Adapter plate



1585207

<https://www.phoenixcontact.com/us/products/1585207>

## Technical data

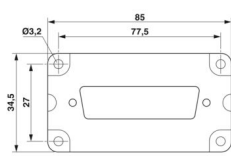
### Notes

General	For housing HC-B16
---------	--------------------

### Product properties

Product type	Adapter plate
Type	B16
Number of positions	37

### Dimensions

Dimensional drawing	
Height	34.5 mm
Length	85 mm
Drill hole distance, horizontal	77.5 mm
Drill hole distance, vertical	27 mm
Hole diameter	3.2 mm

### Material specifications

Color	gray
Material	PA
Flammability rating according to UL 94	HB

### Environmental and real-life conditions

#### Ambient conditions

Ambient temperature (operation)	-20 °C ... 100 °C
---------------------------------	-------------------

### Mounting

Assembly note	<p>Mounting screws: 1) slotted self-tapping screw 2.9 x 6.5 DIN 7971 2) M3 x 14 slotted DIN 84</p> <p>Mounting position of the adapter plate in the sleeve housing: <b>T</b> is visible after mounting in the housing. Mounting position of the adapter plate in the panel mounting base/socket housing/coupling housing: <b>A</b> is visible after mounting in the housing. Mounting position of the D-SUB (after mounting in the housing): in front of the mounting panel (front mounting)</p>
---------------	--

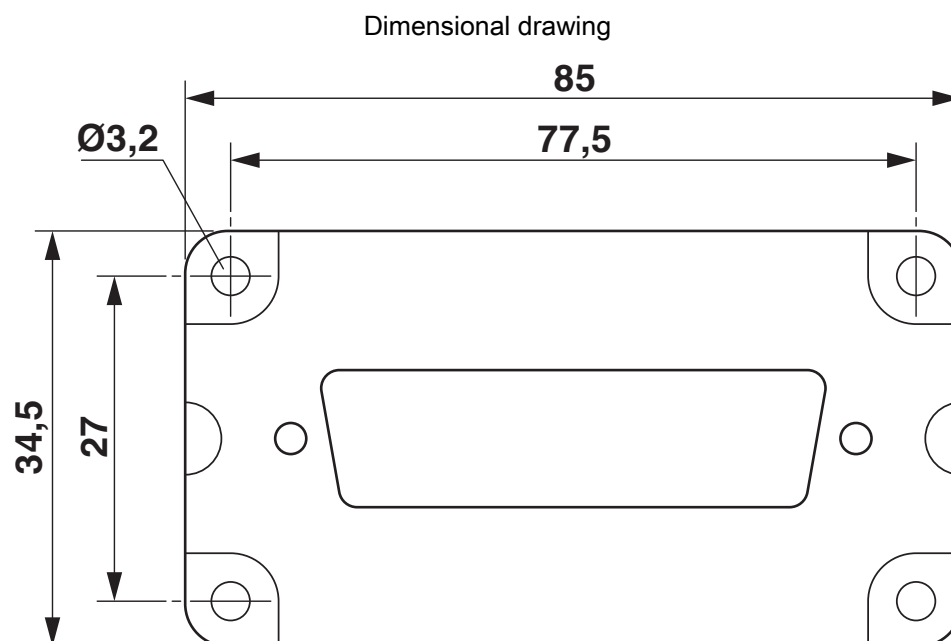
# HC-B 16-ADP/1DSUB37/VPE250 - Adapter plate



1585207

<https://www.phoenixcontact.com/us/products/1585207>

## Drawings



See assembly instruction

# HC-B 16-ADP/1DSUB37/VPE250 - Adapter plate



1585207

<https://www.phoenixcontact.com/us/products/1585207>

## Classifications

### ECLASS

ECLASS-13.0	27440201
ECLASS-15.0	27440201

### UNSPSC

UNSPSC 21.0	31261501
-------------	----------

Phoenix Contact 2026 © - all rights reserved

<https://www.phoenixcontact.com>

Phoenix Contact USA  
586 Fulling Mill Road  
Middletown, PA 17057, United States  
(+717) 944-1300  
[info@phoenixcon.com](mailto:info@phoenixcon.com)