

# HC-B 16-I-CT-F-32 - Contact insert



1584923

<https://www.phoenixcontact.com/us/products/1584923>

Please be informed that the data shown in this PDF document is generated from our online catalog. Please find the complete data in the user documentation. Our general terms of use for downloads are valid.



Contact insert, number of positions: 16+PE, size: B16, Socket, Crimp connection, 500 V, 16 A, 0.5 mm<sup>2</sup> ... 4 mm<sup>2</sup>

## Your advantages

- For fast coding with plastic profile
- Shock and vibration-resistant in accordance with DIN EN 61373

## Commercial data

|                                      |               |
|--------------------------------------|---------------|
| Item number                          | 1584923       |
| Packing unit                         | 1 pc          |
| Minimum order quantity               | 1 pc          |
| Sales key                            | BF61          |
| Product key                          | AF7ABC        |
| GTIN                                 | 4046356156134 |
| Weight per piece (including packing) | 59.6 g        |
| Weight per piece (excluding packing) | 59.6 g        |
| Customs tariff number                | 85366990      |
| Country of origin                    | CN            |

# HC-B 16-I-CT-F-32 - Contact insert

1584923

<https://www.phoenixcontact.com/us/products/1584923>

## Technical data

### Mounting

|               |   |
|---------------|---|
| Assembly note | To ensure correct use, installation in housing with IP54 protection or better is required   |
|               | Remove the crimp contact using a screwdriver. The opening for the screwdriver is next to the opening where the conductor is inserted. |

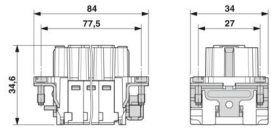
### Product properties

|                       |  |
|-----------------------|--|
| Product type          | Contact insert with a fixed no. of positions |
| Series                | HC-B   |
| Type                  | B16<br>B32                                   |
| Number of positions   | 16   |
| Connection profile    | 16+PE  |
| Contact numbering     | 17 - 32                                      |
| Contact material type | turned                                       |

### Insulation characteristics

|                      |     |
|----------------------|-----|
| Overvoltage category | III |
| Degree of pollution  | 3   |

### Dimensions

|                                 |  |
|---------------------------------|--|
| Dimensional drawing             |  |
| Width                           | 34 mm  |
| Height                          | 34.6 mm  |
| Length                          | 84 mm  |
| Drill hole distance, horizontal | 77.5 mm  |

### Mechanical characteristics

|                  |        |
|------------------|--------|
| Contact diameter | 2.5 mm |
|------------------|--------|

### Connection data

#### Connection technology

|                                  |                  |
|----------------------------------|------------------|
| Connection technology            | Crimp connection |
| Connection in acc. with standard | IEC / EN         |

#### Conductor connection

|                              |   |
|------------------------------|---|
| Conductor cross-section      | 0.5 mm <sup>2</sup> ... 4 mm <sup>2</sup> |
| Connection cross section AWG | 20 ... 12                                 |

# HC-B 16-I-CT-F-32 - Contact insert



1584923

<https://www.phoenixcontact.com/us/products/1584923>

|   |  |
|---|--|
| Tightening torque                       | 0.8 Nm ... 1.2 Nm (PE connection)  |
|   | 0.5 Nm ... 0.8 Nm (Mounting screws for mounting in the HEAVYCON housing) |
| Stripping length of the individual wire | 7.5 mm   |

## Electrical properties

|                       |                |
|-----------------------|----------------|
| Rated voltage (III/3) | 500 V          |
| Rated surge voltage   | 6 kV           |
| Rated current         | 16 A           |
| SCCR                  | 5 kA (UL 2237) |

## Mechanical properties

### Mechanical data

|                             |       |
|-----------------------------|-------|
| Insertion/withdrawal cycles | ≥ 500 |
|-----------------------------|-------|

## Material specifications

|  |                       |
|--|-----------------------|
| Flammability rating according to UL 94 | V0                    |
| Contact material                       | Copper alloy          |
| Contact surface material               | Ag (alternatively Au) |
| Contact carrier material               | PC                    |
| Standards/regulations                  | PC                    |

## Environmental and real-life conditions

### Ambient conditions

|                                 |  |
|---------------------------------|--|
| Degree of protection            | IP20   |
| Ambient temperature (operation) | -40 °C ... 125 °C (including heating up of contacts) |

## Standards and regulations

|  |              |
|--|--------------|
| Constructional and testing regulations | DIN EN 61984 |
|  | DIN EN 60664 |
|  | IEC 60352    |
| Tests                                  | DIN EN 61984 |
|  | DIN EN 60664 |
|  | IEC 60352    |

### Testing

|                       |   |
|-----------------------|---|
| Standards/regulations | PC: Fire protection in rail vehicles - requirement sets R22, R23, and R24 acc. to DIN EN 45545-2 (Risk level HL1 - HL3) |
|-----------------------|---|

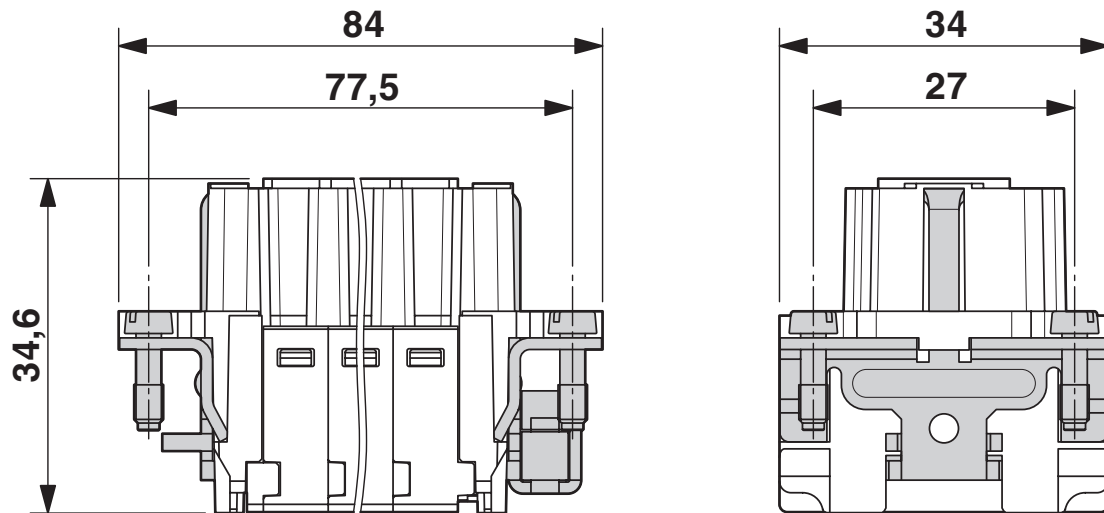
# HC-B 16-I-CT-F-32 - Contact insert

1584923

<https://www.phoenixcontact.com/us/products/1584923>

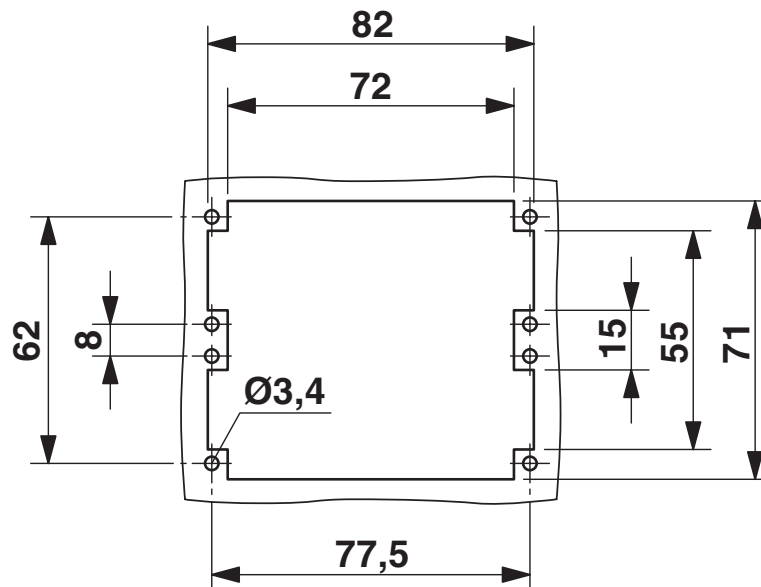
## Drawings

Dimensional drawing



## Female insert

Dimensional drawing



## Mounting cutout when used without housing

# HC-B 16-I-CT-F-32 - Contact insert

1584923

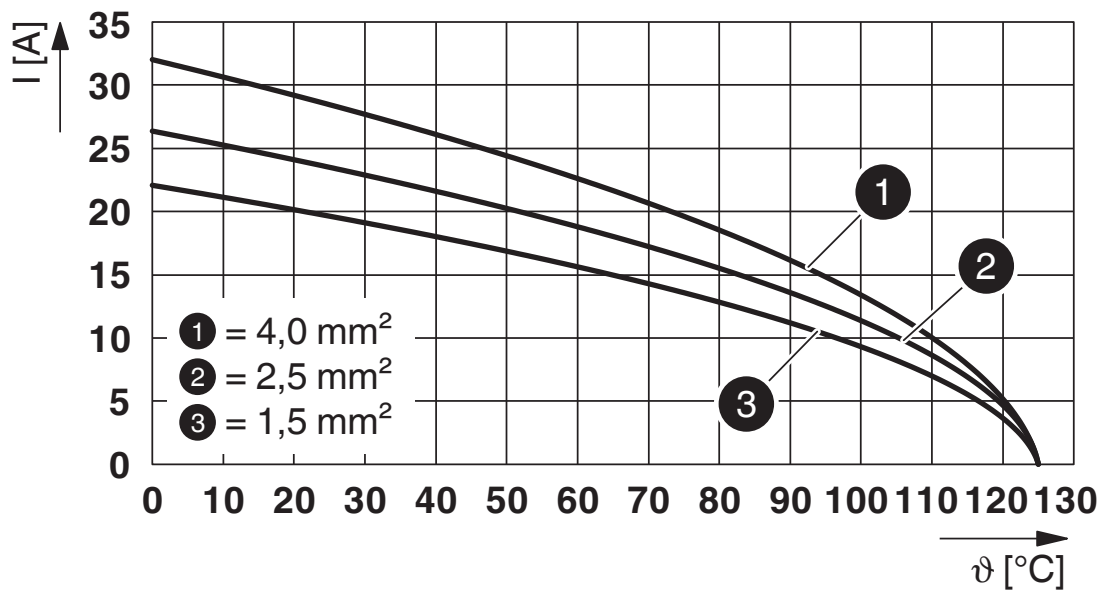
<https://www.phoenixcontact.com/us/products/1584923>

Schematic diagram



Connector pin assignment, connection side

Diagram



Derating diagram

# HC-B 16-I-CT-F-32 - Contact insert



1584923

<https://www.phoenixcontact.com/us/products/1584923>

## Approvals

To download certificates, visit the product detail page: <https://www.phoenixcontact.com/us/products/1584923>

### DNV

Approval ID: TAE000037S



### CSA

Approval ID: 013631\_6233\_01

|       | Nominal voltage $U_N$ | Nominal current $I_N$ | Cross section AWG | Cross section $\text{mm}^2$ |
|-------|-----------------------|-----------------------|-------------------|-----------------------------|
| keine |                       |                       |                   |                             |
|       | 600 V                 | 20 A                  | 20 - 12           | -                           |



### cULus Recognized

Approval ID: E468743

|       | Nominal voltage $U_N$ | Nominal current $I_N$ | Cross section AWG | Cross section $\text{mm}^2$ |
|-------|-----------------------|-----------------------|-------------------|-----------------------------|
| keine |                       |                       |                   |                             |
|       | 600 V                 | 13 A                  | -                 | -                           |



### cULus Recognized

Approval ID: E468743

|       | Nominal voltage $U_N$ | Nominal current $I_N$ | Cross section AWG | Cross section $\text{mm}^2$ |
|-------|-----------------------|-----------------------|-------------------|-----------------------------|
| keine |                       |                       |                   |                             |
|       | 600 V                 | 14 A                  | -                 | -                           |

# HC-B 16-I-CT-F-32 - Contact insert



1584923

<https://www.phoenixcontact.com/us/products/1584923>

## Classifications

### ECLASS

|             |          |
|-------------|----------|
| ECLASS-13.0 | 27440205 |
| ECLASS-15.0 | 27440205 |

### ETIM

|           |          |
|-----------|----------|
| ETIM 10.0 | EC000438 |
|-----------|----------|

### UNSPSC

|             |          |
|-------------|----------|
| UNSPSC 21.0 | 39121500 |
|-------------|----------|

# HC-B 16-I-CT-F-32 - Contact insert



1584923

<https://www.phoenixcontact.com/us/products/1584923>

## Environmental product compliance

### EU RoHS

|   |                    |
|---|--------------------|
| Fulfills EU RoHS substance requirements | Yes, No exemptions |
|---|--------------------|

### China RoHS

|  |  |
|--|--|
| Environment friendly use period (EFUP) | EFUP-E                                   |
|  | No hazardous substances above the limits |

### EU REACH SVHC

|                                     |                            |
|-------------------------------------|----------------------------|
| REACH candidate substance (CAS No.) | No substance above 0.1 wt% |
|-------------------------------------|----------------------------|

Phoenix Contact 2026 © - all rights reserved  
<https://www.phoenixcontact.com>

Phoenix Contact USA  
586 Fulling Mill Road  
Middletown, PA 17057, United States  
(+717) 944-1300  
[info@phoenixcon.com](mailto:info@phoenixcon.com)