

# HC-A-PES - Screw

1584868

<https://www.phoenixcontact.com/us/products/1584868>

Please be informed that the data shown in this PDF document is generated from our online catalog. Please find the complete data in the user documentation. Our general terms of use for downloads are valid.

PE screw for contact inserts of A series



## Commercial data

Item number	1584868
Packing unit	10 pc
Minimum order quantity	10 pc
Sales key	BF61
Product key	AF7ABZ
GTIN	4046356155021
Weight per piece (including packing)	1.272 g
Weight per piece (excluding packing)	1.2 g
Customs tariff number	73181552
Country of origin	CN

# HC-A-PES - Screw

1584868

<https://www.phoenixcontact.com/us/products/1584868>



## Technical data

### Product properties

Product type	Mounting material
Type	PE screw

### Connection data

Screw thread	M3,5
--------------	------

### Material specifications

Material	Steel, galvanized
----------	-------------------

# HC-A-PES - Screw

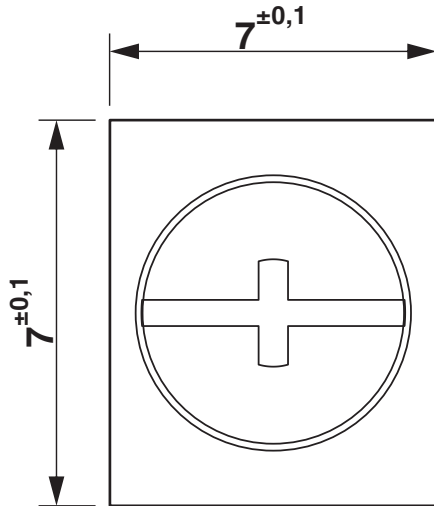
1584868

<https://www.phoenixcontact.com/us/products/1584868>

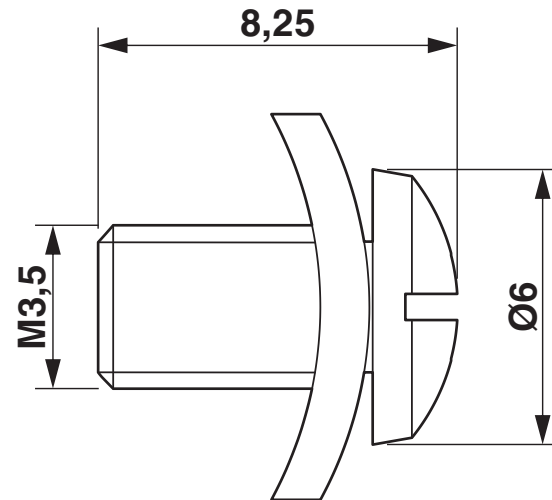


## Drawings

Dimensional drawing



Dimensional drawing



# HC-A-PES - Screw

1584868

<https://www.phoenixcontact.com/us/products/1584868>



## Classifications

### ECLASS

ECLASS-13.0	27144492
ECLASS-15.0	27144492

### ETIM

ETIM 10.0	EC002610
-----------	----------

### UNSPSC

UNSPSC 21.0	31161500
-------------	----------

# HC-A-PES - Screw



1584868

<https://www.phoenixcontact.com/us/products/1584868>

## Environmental product compliance

### EU RoHS

Fulfills EU RoHS substance requirements	Yes, No exemptions
---	--------------------

### China RoHS

Environment friendly use period (EFUP)	EFUP-E
	No hazardous substances above the limits

### EU REACH SVHC

REACH candidate substance (CAS No.)	No substance above 0.1 wt%
-------------------------------------	----------------------------

Phoenix Contact 2026 © - all rights reserved  
<https://www.phoenixcontact.com>

Phoenix Contact USA  
586 Fulling Mill Road  
Middletown, PA 17057, United States  
(+717) 944-1300  
[info@phoenixcon.com](mailto:info@phoenixcon.com)