

HC-B 16-TMZ-76/O1STM32S - Housing

1584648

<https://www.phoenixcontact.com/us/products/1584648>

Please be informed that the data shown in this PDF document is generated from our online catalog. Please find the complete data in the user documentation. Our general terms of use for downloads are valid.



HEAVYCON sleeve housing B16, with main latch, height 76 mm, with 1 x M32 thread, lateral conductor outlet

Commercial data

Item number	1584648
Packing unit	1 pc
Note	Made to order (non-returnable)
Sales key	NULL
Product key	AF7AAC
GTIN	4046356145817
Weight per piece (including packing)	425 g
Weight per piece (excluding packing)	425 g
Customs tariff number	85369010
Country of origin	DE

HC-B 16-TMZ-76/O1STM32S - Housing

1584648

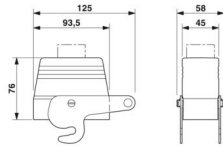
<https://www.phoenixcontact.com/us/products/1584648>

Technical data

Product properties

Product type	Housing with locking latch
Housing type	Sleeve housing
Application	Standard
Type	B16
No. of cable outlets	1
Type of the screw connection	1x M32
Cable outlet	lateral

Dimensions

Dimensional drawing	
Width	43 mm
Height	76 mm
Length	94 mm

Material specifications

Housing material	Die-cast aluminum
Housing surface material	Powder-coated, gray
Locking latch material	Steel, galvanized

Mechanical properties

Mechanical data

Type of the screw connection	1x M32
------------------------------	--------

Environmental and real-life conditions

Ambient conditions

Degree of protection	IP65
Ambient temperature (operation)	-40 °C ... 125 °C

HC-B 16-TMZ-76/O1STM32S - Housing

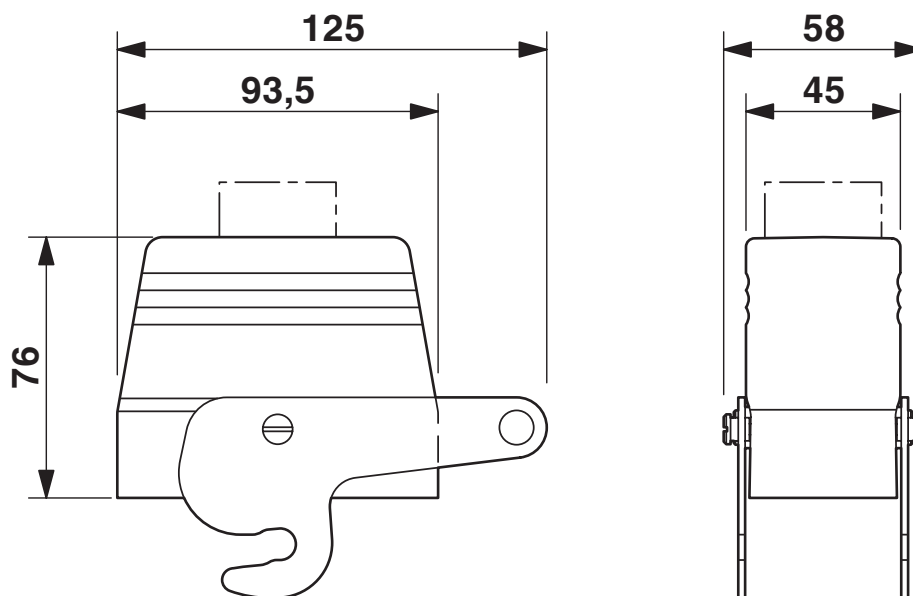
1584648

<https://www.phoenixcontact.com/us/products/1584648>



Drawings

Dimensional drawing



Dimensional drawing

HC-B 16-TMZ-76/O1STM32S - Housing



1584648

<https://www.phoenixcontact.com/us/products/1584648>

Classifications

ECLASS

ECLASS-13.0	27440202
ECLASS-15.0	27440202

1584648

<https://www.phoenixcontact.com/us/products/1584648>

Environmental product compliance

China RoHS

Environment friendly use period (EFUP)	EFUP-50
	An article-related China RoHS declaration table can be found in the download area for the respective article under "Manufacturer declaration". For all articles with EFUP-E, no China RoHS declaration table issued and required.

EU REACH SVHC

REACH candidate substance (CAS No.)	No substance above 0.1 wt%
-------------------------------------	----------------------------

Phoenix Contact 2026 © - all rights reserved
<https://www.phoenixcontact.com>

Phoenix Contact USA
586 Fulling Mill Road
Middletown, PA 17057, United States
(+717) 944-1300
info@phoenixcon.com