

HC-B 16-SFZ-84/O1M32 - Housing

1584619

<https://www.phoenixcontact.com/us/products/1584619>

Please be informed that the data shown in this PDF document is generated from our online catalog. Please find the complete data in the user documentation. Our general terms of use for downloads are valid.

HEAVYCON box mounting base B16, for main latch, height 84 mm, with support 1xM32



Commercial data

Item number	1584619
Packing unit	1 pc
Note	Made to order (non-returnable)
Sales key	BF55
Product key	AF7AAC
GTIN	4046356145787
Weight per piece (including packing)	407.71 g
Weight per piece (excluding packing)	407.71 g
Customs tariff number	85369010
Country of origin	DE

HC-B 16-SFZ-84/O1M32 - Housing

1584619

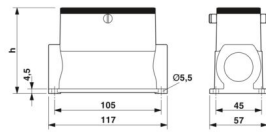
<https://www.phoenixcontact.com/us/products/1584619>

Technical data

Product properties

Product type	Housing with locking latch
Housing type	Surface mounting housing
Application	Standard
Type	B16
No. of cable outlets	1
Type of the screw connection	1x M32
Cable outlet	lateral

Dimensions

Dimensional drawing	
Width	57 mm
Height	84 mm
Length	117 mm

Material specifications

Seal material	NBR
Housing material	Die-cast aluminum
Housing surface material	Powder-coated, gray

Mechanical properties

Mechanical data

Type of the screw connection	1x M32
------------------------------	--------

Mounting

Assembly note	For half and full screw connections
---------------	-------------------------------------

Environmental and real-life conditions

Ambient conditions

Degree of protection	IP65
Ambient temperature (operation)	-40 °C ... 125 °C

HC-B 16-SFZ-84/O1M32 - Housing

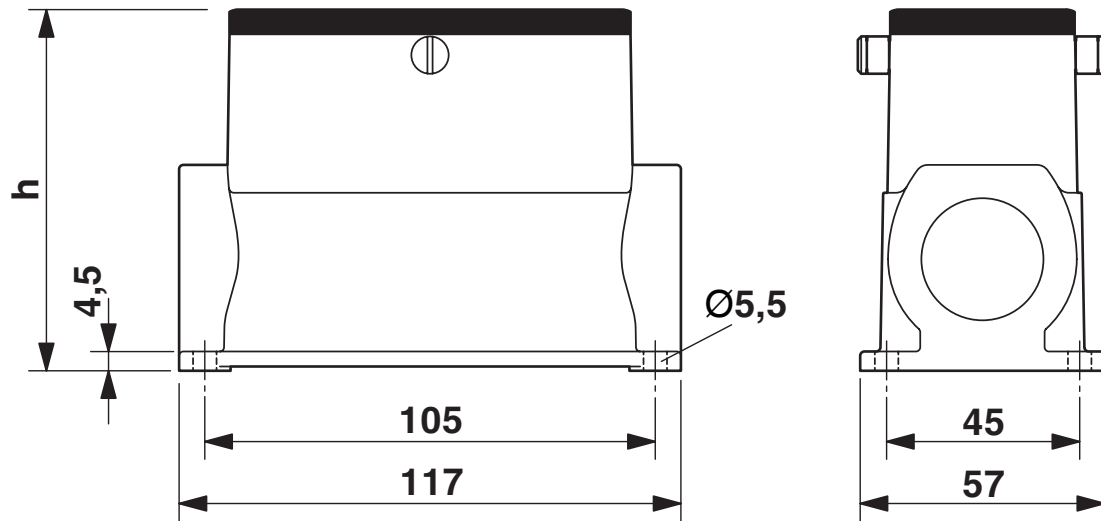


1584619

<https://www.phoenixcontact.com/us/products/1584619>

Drawings

Dimensional drawing



Dimensional drawing

HC-B 16-SFZ-84/O1M32 - Housing



1584619

<https://www.phoenixcontact.com/us/products/1584619>

Classifications

ECLASS

ECLASS-13.0	27440202
ECLASS-15.0	27440202

UNSPSC

UNSPSC 21.0	31261501
-------------	----------

HC-B 16-SFZ-84/O1M32 - Housing



1584619

<https://www.phoenixcontact.com/us/products/1584619>

Environmental product compliance

EU RoHS

Fulfills EU RoHS substance requirements	Yes, No exemptions
---	--------------------

China RoHS

Environment friendly use period (EFUP)	EFUP-E
	No hazardous substances above the limits

EU REACH SVHC

REACH candidate substance (CAS No.)	No substance above 0.1 wt%
-------------------------------------	----------------------------

Phoenix Contact 2026 © - all rights reserved
<https://www.phoenixcontact.com>

Phoenix Contact USA
586 Fulling Mill Road
Middletown, PA 17057, United States
(+717) 944-1300
info@phoenixcon.com