

HC-B 24-SD-MQT/FS-AL - Protective cover



1584567

<https://www.phoenixcontact.com/us/products/1584567>

Please be informed that the data shown in this PDF document is generated from our online catalog. Please find the complete data in the user documentation. Our general terms of use for downloads are valid.

Protective cover B24, with double locking latch, protective cover material: Al, height: 16.9 mm, seal: yes, with lanyard



Commercial data

Item number	1584567
Packing unit	10 pc
Minimum order quantity	1 pc
Sales key	BF66
Product key	AF7AZC
GTIN	4046356145176
Weight per piece (including packing)	139.7 g
Weight per piece (excluding packing)	139.7 g
Customs tariff number	85389099
Country of origin	DE

HC-B 24-SD-MQT/FS-AL - Protective cover

1584567

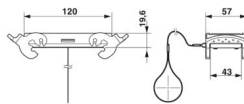
<https://www.phoenixcontact.com/us/products/1584567>

Technical data

Product properties

Product type	Protective cover
Housing type	Protective cover
Type	B24
Retaining cord present	yes
Seal present	yes

Dimensions

Dimensional drawing	
Width	43 mm
Height	16.9 mm
Length	120 mm
Diameter	30 mm

Material specifications

Material Protective cover	Die-cast aluminum (powder-coated)
Seal material	NBR
Housing surface material	Powder-coated, gray
Material, protective cover	Al
Locking latch material	High-grade steel, handle: PA-GF

Mechanical properties

Mechanical data

Locking type	Latch
--------------	-------

Environmental and real-life conditions

Ambient conditions

Degree of protection	IP66
Ambient temperature (operation)	-40 °C ... 125 °C

Mounting

Assembly note	Not for HC-B...EMC housings The guide pins of the protective cover must be removed when using coding sockets, pins, and bolts.
---------------	---

HC-B 24-SD-MQT/FS-AL - Protective cover

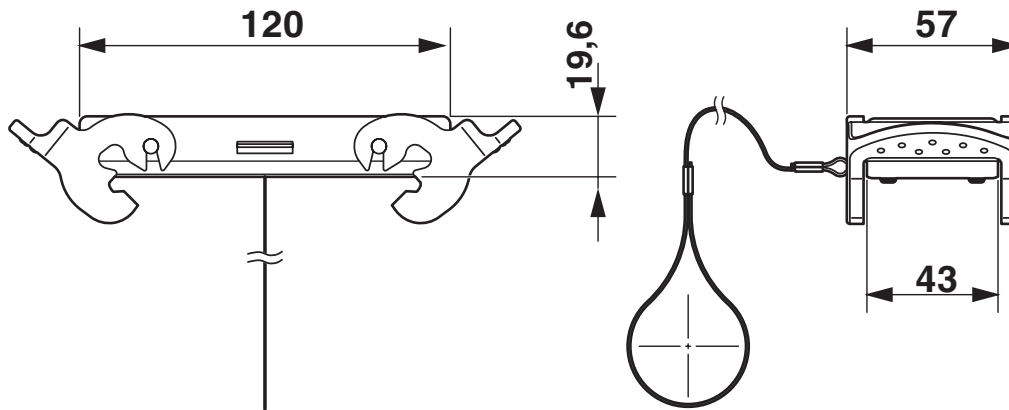


1584567

<https://www.phoenixcontact.com/us/products/1584567>

Drawings

Dimensional drawing



Dimensional drawing

HC-B 24-SD-MQT/FS-AL - Protective cover



1584567

<https://www.phoenixcontact.com/us/products/1584567>

Classifications

ECLASS

ECLASS-13.0	27440208
ECLASS-15.0	27440208

UNSPSC

UNSPSC 21.0	39121400
-------------	----------

HC-B 24-SD-MQT/FS-AL - Protective cover



1584567

<https://www.phoenixcontact.com/us/products/1584567>

Environmental product compliance

EU RoHS

Fulfills EU RoHS substance requirements	Yes, No exemptions
---	--------------------

China RoHS

Environment friendly use period (EFUP)	EFUP-E
	No hazardous substances above the limits

EU REACH SVHC

REACH candidate substance (CAS No.)	No substance above 0.1 wt%
-------------------------------------	----------------------------

Phoenix Contact 2026 © - all rights reserved
<https://www.phoenixcontact.com>

Phoenix Contact USA
586 Fulling Mill Road
Middletown, PA 17057, United States
(+717) 944-1300
info@phoenixcon.com