

# HC-B 16-SD-MLT/FS-AL - Protective cover



1584525

<https://www.phoenixcontact.com/us/products/1584525>

Please be informed that the data shown in this PDF document is generated from our online catalog. Please find the complete data in the user documentation. Our general terms of use for downloads are valid.

Protective cover B16, with single locking latch, protective cover material: Al, height: 20 mm, seal: yes, with lanyard



## Commercial data

|                                      |               |
|--------------------------------------|---------------|
| Item number                          | 1584525       |
| Packing unit                         | 1 pc          |
| Sales key                            | BF66          |
| Product key                          | AF7AZC        |
| GTIN                                 | 4046356145190 |
| Weight per piece (including packing) | 112.7 g       |
| Weight per piece (excluding packing) | 112.7 g       |
| Customs tariff number                | 85389099      |
| Country of origin                    | DE            |

# HC-B 16-SD-MLT/FS-AL - Protective cover

1584525

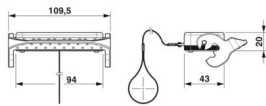
<https://www.phoenixcontact.com/us/products/1584525>

## Technical data

### Product properties

|                        |                  |
|------------------------|------------------|
| Product type           | Protective cover |
| Housing type           | Protective cover |
| Type                   | B16              |
| Retaining cord present | yes              |
| Seal present           | yes              |

### Dimensions

|                     |  |
|---------------------|--|
| Dimensional drawing |  |
| Width               | 43 mm  |
| Height              | 20 mm  |
| Length              | 94 mm  |
| Diameter            | 30 mm  |

### Material specifications

|                            |                                   |
|----------------------------|-----------------------------------|
| Material Protective cover  | Die-cast aluminum (powder-coated) |
| Seal material              | NBR                               |
| Housing surface material   | Powder-coated, gray               |
| Material, protective cover | Al                                |
| Locking latch material     | High-grade steel, handle: PA-GF   |

### Mechanical properties

#### Mechanical data

|              |       |
|--------------|-------|
| Locking type | Latch |
|--------------|-------|

### Environmental and real-life conditions

#### Ambient conditions

|                                 |                   |
|---------------------------------|-------------------|
| Degree of protection            | IP66              |
| Ambient temperature (operation) | -40 °C ... 125 °C |

### Mounting

|               |  |
|---------------|--|
| Assembly note | The guide pins of the protective cover must be removed when using coding sockets, pins, and bolts. |
|---------------|--|

# HC-B 16-SD-MLT/FS-AL - Protective cover

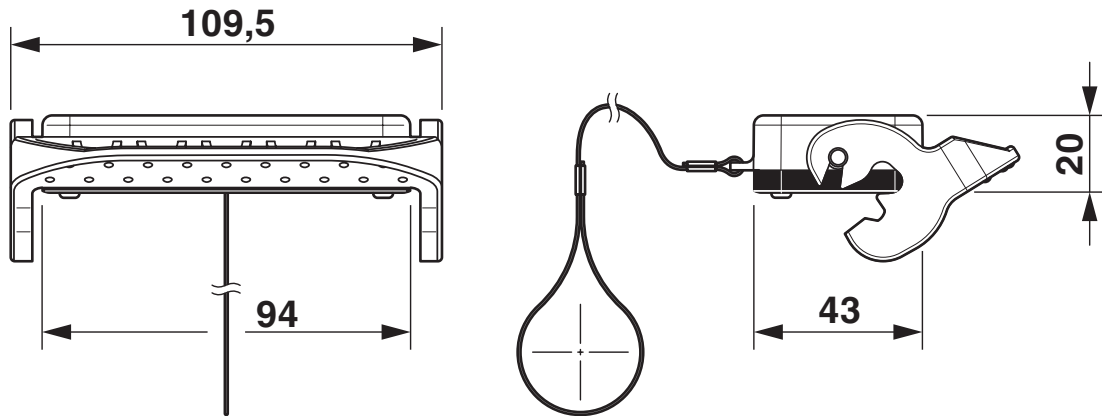


1584525

<https://www.phoenixcontact.com/us/products/1584525>

## Drawings

Dimensional drawing



Dimensional drawing

# HC-B 16-SD-MLT/FS-AL - Protective cover



1584525

<https://www.phoenixcontact.com/us/products/1584525>

## Classifications

### ECLASS

|             |          |
|-------------|----------|
| ECLASS-13.0 | 27440208 |
| ECLASS-15.0 | 27440208 |

### UNSPSC

|             |          |
|-------------|----------|
| UNSPSC 21.0 | 39121400 |
|-------------|----------|

# HC-B 16-SD-MLT/FS-AL - Protective cover



1584525

<https://www.phoenixcontact.com/us/products/1584525>

## Environmental product compliance

### EU RoHS

|   |                    |
|---|--------------------|
| Fulfills EU RoHS substance requirements | Yes, No exemptions |
|---|--------------------|

### China RoHS

|  |  |
|--|--|
| Environment friendly use period (EFUP) | EFUP-E                                   |
|  | No hazardous substances above the limits |

### EU REACH SVHC

|                                     |                            |
|-------------------------------------|----------------------------|
| REACH candidate substance (CAS No.) | No substance above 0.1 wt% |
|-------------------------------------|----------------------------|

Phoenix Contact 2026 © - all rights reserved  
<https://www.phoenixcontact.com>

Phoenix Contact USA  
586 Fulling Mill Road  
Middletown, PA 17057, United States  
(+717) 944-1300  
[info@phoenixcon.com](mailto:info@phoenixcon.com)