

HC-D 64-A-UT-PEL-F - Terminal adapter



1584295

<https://www.phoenixcontact.com/us/products/1584295>

Please be informed that the data shown in this PDF document is generated from our online catalog. Please find the complete data in the user documentation. Our general terms of use for downloads are valid.



HEAVYCON terminal adapter female insert, D64 series, 64-pos., right protective conductor connection for the left side of the control cabinet, screw connection

Commercial data

Item number	1584295
Packing unit	1 pc
Minimum order quantity	1 pc
Sales key	BF61
Product key	AF7ADE
GTIN	4046356142366
Weight per piece (including packing)	538 g
Weight per piece (excluding packing)	527.8 g
Customs tariff number	85366990
Country of origin	CN

HC-D 64-A-UT-PEL-F - Terminal adapter



1584295

<https://www.phoenixcontact.com/us/products/1584295>

Technical data

Product properties

Product type	Terminal adapter
Product family	HC-D
Series	HC-D
Type	B24
Number of positions	64
Connection profile	64+PE
Screwdriver blade	0.5 x 3.5 mm

Insulation characteristics

Overvoltage category	III
Degree of pollution	3

Electrical properties

Rated voltage (III/3)	250 V
Rated surge voltage	4 kV
Rated current	10 A
SCCR	5 kA (UL 2237)

Connection data

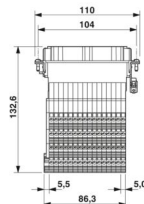
Connection technology

Connection technology	Screw connection
Connection in acc. with standard	IEC / EN

Conductor connection

Conductor cross-section	0.2 mm ² ... 2.5 mm ²
Connection cross section AWG	22 ... 12
Tightening torque	0.5 Nm ... 0.8 Nm
Stripping length of the individual wire	10 mm

Dimensions

Dimensional drawing	
Width	34 mm
Height	132.6 mm
Length	110 mm
Drill hole distance, horizontal	104 mm

HC-D 64-A-UT-PEL-F - Terminal adapter



1584295

<https://www.phoenixcontact.com/us/products/1584295>

Drill hole distance, vertical	27 mm
-------------------------------	-------

Material specifications

Flammability rating according to UL 94	V0
Contact material	Copper alloy
Contact surface material	Ag
Contact carrier material	PA
Standards/regulations	PA

Cable/line

Stripping length of the individual wire	10 mm
---	-------

Mechanical properties

Mechanical data

Insertion/withdrawal cycles	≥ 500
-----------------------------	-------

Environmental and real-life conditions

Ambient conditions

Ambient temperature (operation)	-40 °C ... 125 °C
---------------------------------	-------------------

Standards and regulations

Constructional and testing regulations	DIN EN 61984
	DIN EN 60664
	IEC 60352
Tests	DIN EN 61984
	DIN EN 60664
	IEC 60352

Testing

Standards/regulations	PA: Fire protection in rail vehicles - requirement sets R22, R23, and R24 acc. to DIN EN 45545-2 (Risk level HL1 - HL3)
-----------------------	---

Mounting

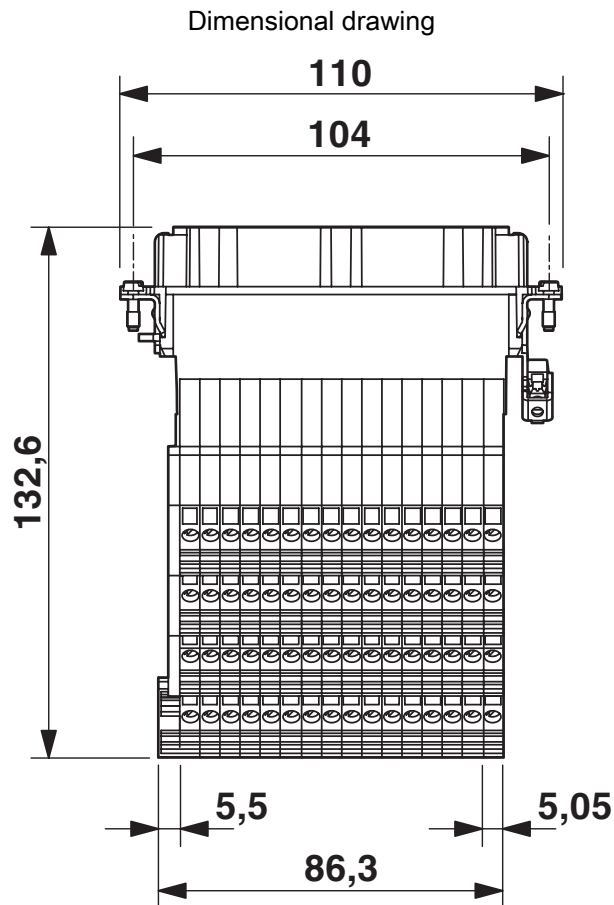
Assembly note	To ensure correct use, installation in housing with IP54 protection or better is required
	Not for HC-EVO panel mounting bases
	Not for HC-EVO panel mounting bases
	Not for HC-B 24-AMQ-EMV housings

HC-D 64-A-UT-PEL-F - Terminal adapter

1584295

<https://www.phoenixcontact.com/us/products/1584295>

Drawings



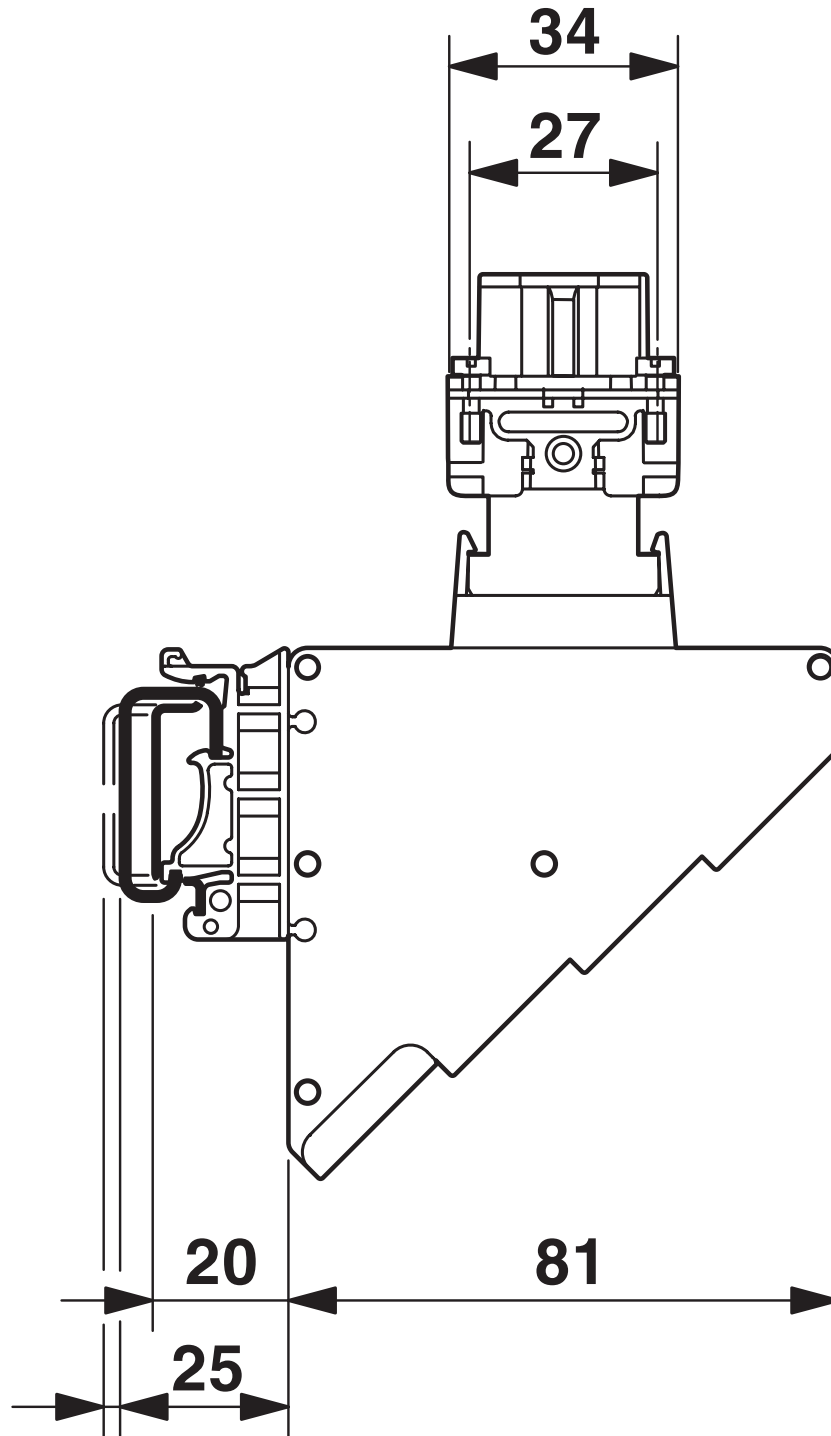
Dimensional drawing

HC-D 64-A-UT-PEL-F - Terminal adapter

1584295

<https://www.phoenixcontact.com/us/products/1584295>

Dimensional drawing



Dimensional drawing, side view

HC-D 64-A-UT-PEL-F - Terminal adapter

1584295

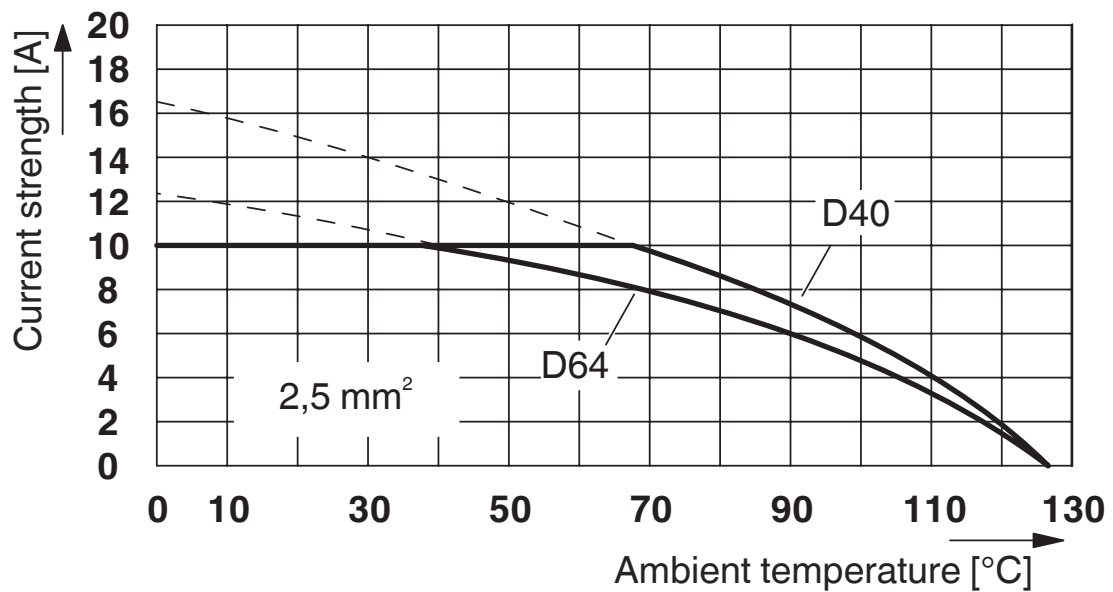
<https://www.phoenixcontact.com/us/products/1584295>

Application drawing



Mounting position PE connection left/right (PEL/PER)

Diagram



Derating diagram for 2.5 mm²

HC-D 64-A-UT-PEL-F - Terminal adapter




1584295

<https://www.phoenixcontact.com/us/products/1584295>


Approvals

To download certificates, visit the product detail page: <https://www.phoenixcontact.com/us/products/1584295>

 CSA Approval ID: 13631				
	Nominal voltage U_N	Nominal current I_N	Cross section AWG	Cross section mm^2
keine				
	600 V	7 A	- 14	-

 UL Recognized Approval ID: E118976				
	Nominal voltage U_N	Nominal current I_N	Cross section AWG	Cross section mm^2
keine				
	600 V	7 A	- 14	-

 EAC Approval ID: RU C-DE.AI30.B.01102				
---	--	--	--	--

 UL Recognized Approval ID: E468743				
	Nominal voltage U_N	Nominal current I_N	Cross section AWG	Cross section mm^2
keine				
	600 V	7 A	-	-

HC-D 64-A-UT-PEL-F - Terminal adapter



1584295

<https://www.phoenixcontact.com/us/products/1584295>

Classifications

ECLASS

ECLASS-13.0	27440222
ECLASS-15.0	27440222

ETIM

ETIM 10.0	EC000438
-----------	----------

UNSPSC

UNSPSC 21.0	39121500
-------------	----------

HC-D 64-A-UT-PEL-F - Terminal adapter



1584295

<https://www.phoenixcontact.com/us/products/1584295>

Environmental product compliance

EU RoHS

Fulfills EU RoHS substance requirements	Yes
Exemption	6(c)

China RoHS

Environment friendly use period (EFUP)	EFUP-E
	No hazardous substances above the limits

EU REACH SVHC

REACH candidate substance (CAS No.)	Lead(CAS: 7439-92-1)
SCIP	1b354765-611e-4a8f-8f6e-8641e6a34446

Phoenix Contact 2026 © - all rights reserved
<https://www.phoenixcontact.com>

Phoenix Contact USA
586 Fulling Mill Road
Middletown, PA 17057, United States
(+717) 944-1300
info@phoenixcon.com