

# HC-D 40-A-UT-PER-F - Terminal adapter



1584279

<https://www.phoenixcontact.com/us/products/1584279>

Please be informed that the data shown in this PDF document is generated from our online catalog. Please find the complete data in the user documentation. Our general terms of use for downloads are valid.



HEAVYCON terminal adapter female insert, D40 series, 40-pos., left protective conductor connection for the right side of the control cabinet, screw connection

## Commercial data

|                                      |               |
|--------------------------------------|---------------|
| Item number                          | 1584279       |
| Packing unit                         | 1 pc          |
| Minimum order quantity               | 1 pc          |
| Sales key                            | BF61          |
| Product key                          | AF7ADE        |
| GTIN                                 | 4046356142342 |
| Weight per piece (including packing) | 355 g         |
| Weight per piece (excluding packing) | 310.5 g       |
| Customs tariff number                | 85366990      |
| Country of origin                    | CN            |

# HC-D 40-A-UT-PER-F - Terminal adapter

1584279

<https://www.phoenixcontact.com/us/products/1584279>

## Technical data

### Notes

|         |   |
|---------|---|
| General | For HEAVYCON-ADVANCE mounting flange and HEAVYCON panel mounting base of B16 type |
| General | Connectors may be operated only when there is no load/voltage.                    |

### Product properties

|                     |                  |
|---------------------|------------------|
| Product type        | Terminal adapter |
| Product family      | HC-D             |
| Series              | HC-D             |
| Type                | B16              |
| Number of positions | 40               |
| Connection profile  | 40+PE            |
| Screwdriver blade   | 0.5 x 3.5 mm     |

### Insulation characteristics

|                      |     |
|----------------------|-----|
| Overvoltage category | III |
| Degree of pollution  | 3   |

### Electrical properties

|                       |                |
|-----------------------|----------------|
| Rated voltage (III/3) | 250 V          |
| Rated surge voltage   | 4 kV           |
| Rated current         | 10 A           |
| SCCR                  | 5 kA (UL 2237) |

### Connection data

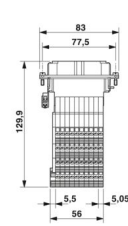
#### Connection technology

|                                  |                  |
|----------------------------------|------------------|
| Connection technology            | Screw connection |
| Connection in acc. with standard | IEC / EN         |

#### Conductor connection

|   |   |
|---|---|
| Conductor cross-section                 | 0.5 mm <sup>2</sup> ... 2.5 mm <sup>2</sup> |
| Connection cross section AWG            | 22 ... 12                                   |
| Tightening torque                       | 0.5 Nm ... 0.8 Nm                           |
| Stripping length of the individual wire | 10 mm                                       |

### Dimensions

|                     |  |
|---------------------|--|
| Dimensional drawing |  |
|---------------------|--|

# HC-D 40-A-UT-PER-F - Terminal adapter



1584279

<https://www.phoenixcontact.com/us/products/1584279>

|                                 |          |
|---------------------------------|----------|
| Width                           | 34 mm    |
| Height                          | 129.9 mm |
| Length                          | 83 mm    |
| Drill hole distance, horizontal | 77.5 mm  |
| Drill hole distance, vertical   | 27 mm    |

## Material specifications

|  |              |
|--|--------------|
| Flammability rating according to UL 94 | V0           |
| Contact material                       | Copper alloy |
| Contact surface material               | Ag           |
| Contact carrier material               | PA           |
| Standards/regulations                  | PA           |

## Cable/line

|   |       |
|---|-------|
| Stripping length of the individual wire | 10 mm |
|---|-------|

## Mechanical properties

### Mechanical data

|                             |       |
|-----------------------------|-------|
| Insertion/withdrawal cycles | ≥ 500 |
|-----------------------------|-------|

## Environmental and real-life conditions

### Ambient conditions

|                                 |                   |
|---------------------------------|-------------------|
| Ambient temperature (operation) | -40 °C ... 125 °C |
|---------------------------------|-------------------|

## Standards and regulations

|  |              |
|--|--------------|
| Constructional and testing regulations | DIN EN 61984 |
|  | DIN EN 60664 |
|  | IEC 60352    |
| Tests                                  | DIN EN 61984 |
|  | DIN EN 60664 |
|  | IEC 60352    |

### Testing

|                       |   |
|-----------------------|---|
| Standards/regulations | PA: Fire protection in rail vehicles - requirement sets R22, R23, and R24 acc. to DIN EN 45545-2 (Risk level HL1 - HL3) |
|-----------------------|---|

## Mounting

|               |   |
|---------------|---|
| Assembly note | To ensure correct use, installation in housing with IP54 protection or better is required         |
|               | Not for HC-EVO panel mounting bases   |
|               | Connectors may be plugged in only when there is no load/voltage. Not for HC-B 16-AMQ-EMV housings |

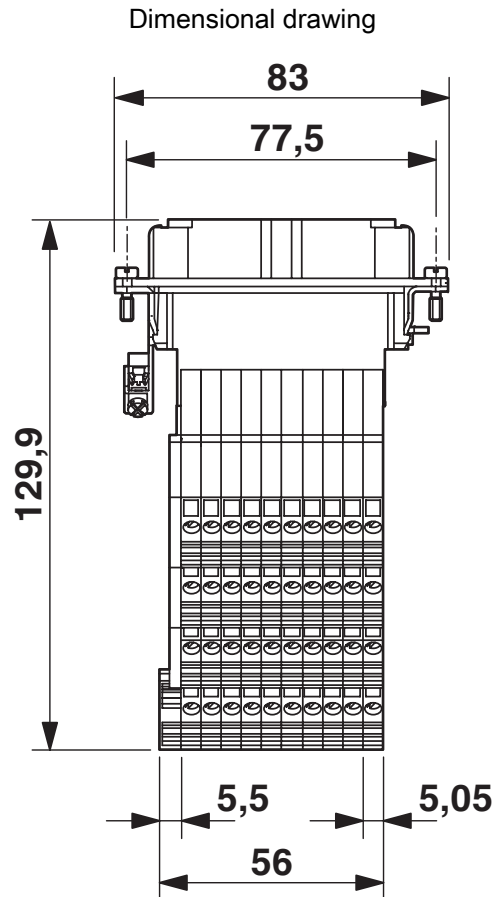
# HC-D 40-A-UT-PER-F - Terminal adapter



1584279

<https://www.phoenixcontact.com/us/products/1584279>

## Drawings



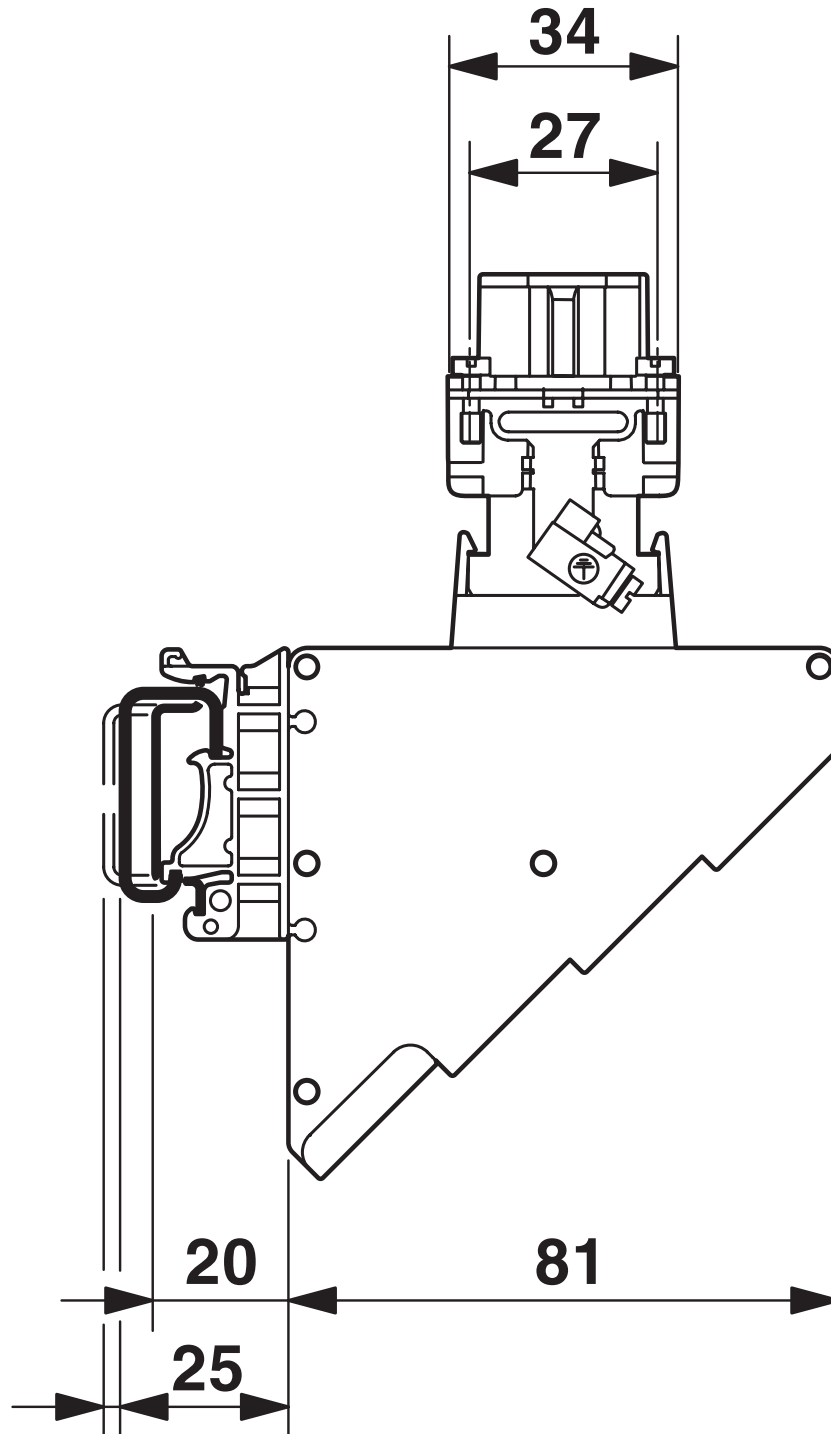
Dimensional drawing

# HC-D 40-A-UT-PER-F - Terminal adapter

1584279

<https://www.phoenixcontact.com/us/products/1584279>

Dimensional drawing



Dimensional drawing, side view

# HC-D 40-A-UT-PER-F - Terminal adapter

1584279

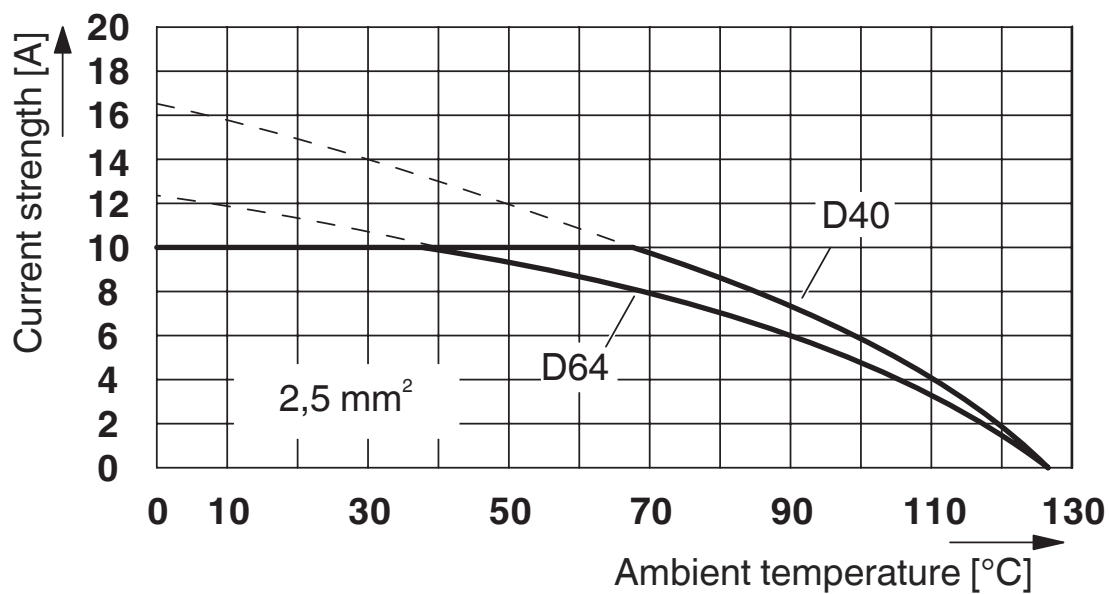
<https://www.phoenixcontact.com/us/products/1584279>

Application drawing



Mounting position PE connection left/right (PEL/PER)

Diagram



Derating diagram for 2.5 mm<sup>2</sup>

# HC-D 40-A-UT-PER-F - Terminal adapter




1584279

<https://www.phoenixcontact.com/us/products/1584279>


## Approvals

To download certificates, visit the product detail page: <https://www.phoenixcontact.com/us/products/1584279>

|  <b>CSA</b><br>Approval ID: 13631 |                       |                       |                   |                             |
|--|-----------------------|-----------------------|-------------------|-----------------------------|
|  | Nominal voltage $U_N$ | Nominal current $I_N$ | Cross section AWG | Cross section $\text{mm}^2$ |
| keine  |                       |                       |                   |                             |
|  | 600 V                 | 7 A                   | - 14              | -                           |

|  <b>UL Recognized</b><br>Approval ID: E118976 |                       |                       |                   |                             |
|--|-----------------------|-----------------------|-------------------|-----------------------------|
|  | Nominal voltage $U_N$ | Nominal current $I_N$ | Cross section AWG | Cross section $\text{mm}^2$ |
| keine  |                       |                       |                   |                             |
|  | 600 V                 | 7 A                   | - 14              | -                           |

|  <b>EAC</b><br>Approval ID: RU C-DE.AI30.B.01102 |  |  |  |  |
|---|--|--|--|--|
|---|--|--|--|--|

|  <b>UL Recognized</b><br>Approval ID: E468743 |                       |                       |                   |                             |
|--|-----------------------|-----------------------|-------------------|-----------------------------|
|  | Nominal voltage $U_N$ | Nominal current $I_N$ | Cross section AWG | Cross section $\text{mm}^2$ |
| keine  |                       |                       |                   |                             |
|  | 600 V                 | 7 A                   | -                 | -                           |

# HC-D 40-A-UT-PER-F - Terminal adapter



1584279

<https://www.phoenixcontact.com/us/products/1584279>

## Classifications

### ECLASS

|             |          |
|-------------|----------|
| ECLASS-13.0 | 27440222 |
| ECLASS-15.0 | 27440222 |

### ETIM

|           |          |
|-----------|----------|
| ETIM 10.0 | EC000438 |
|-----------|----------|

### UNSPSC

|             |          |
|-------------|----------|
| UNSPSC 21.0 | 39121500 |
|-------------|----------|

# HC-D 40-A-UT-PER-F - Terminal adapter



1584279

<https://www.phoenixcontact.com/us/products/1584279>

## Environmental product compliance

### EU RoHS

|   |                    |
|---|--------------------|
| Fulfills EU RoHS substance requirements | Yes, No exemptions |
|---|--------------------|

### China RoHS

|  |  |
|--|--|
| Environment friendly use period (EFUP) | EFUP-E                                   |
|  | No hazardous substances above the limits |

### EU REACH SVHC

|                                     |                            |
|-------------------------------------|----------------------------|
| REACH candidate substance (CAS No.) | No substance above 0.1 wt% |
|-------------------------------------|----------------------------|

Phoenix Contact 2026 © - all rights reserved  
<https://www.phoenixcontact.com>

Phoenix Contact USA  
586 Fulling Mill Road  
Middletown, PA 17057, United States  
(+717) 944-1300  
[info@phoenixcon.com](mailto:info@phoenixcon.com)