

HC-B-TMS-ERSSCHR - Screw

1584198

<https://www.phoenixcontact.com/us/products/1584198>

Please be informed that the data shown in this PDF document is generated from our online catalog. Please find the complete data in the user documentation. Our general terms of use for downloads are valid.



Replacement locking screw, M6, stainless steel, for HEAVYCON ADVANCE housing type HC-B..
.TMS...STA, head: Pozidrive

Commercial data

Item number	1584198
Packing unit	10 pc
Minimum order quantity	10 pc
Sales key	BF66
Product key	AF7AAZ
GTIN	4046356143639
Weight per piece (including packing)	7 g
Weight per piece (excluding packing)	6.9 g
Customs tariff number	73181552
Country of origin	DE

HC-B-TMS-ERSSCHR - Screw



1584198

<https://www.phoenixcontact.com/us/products/1584198>

Technical data

Product properties

Product type	Mounting material
--------------	-------------------

Material specifications

Locking latch material	Stainless steel
------------------------	-----------------

HC-B-TMS-ERSSCHR - Screw

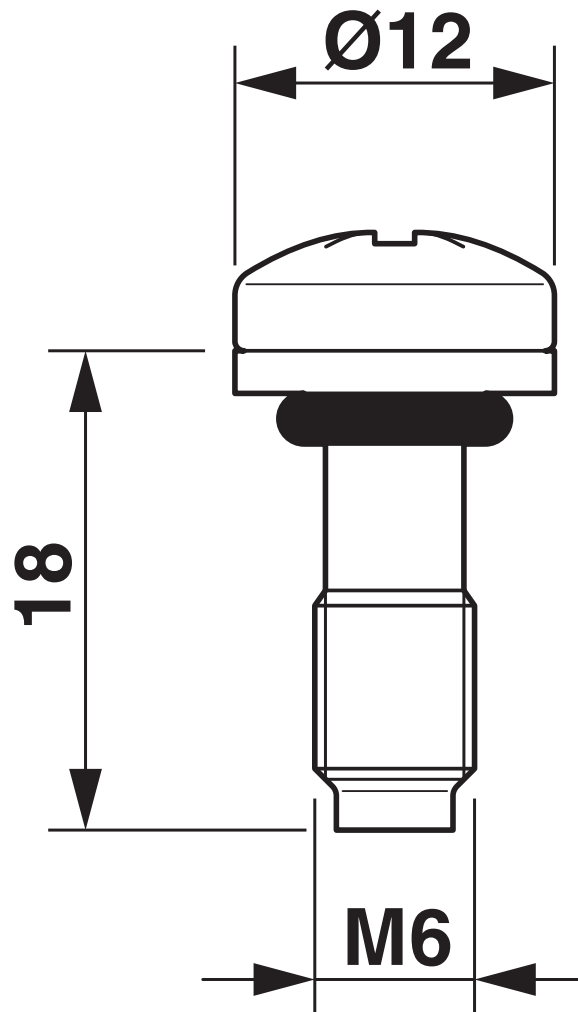
1584198

<https://www.phoenixcontact.com/us/products/1584198>



Drawings

Dimensional drawing



Dimensional drawing

HC-B-TMS-ERSSCHR - Screw



1584198

<https://www.phoenixcontact.com/us/products/1584198>

Approvals

To download certificates, visit the product detail page: <https://www.phoenixcontact.com/us/products/1584198>



EAC

Approval ID: RU C-DE.AI30.B.01102

HC-B-TMS-ERSSCHR - Screw



1584198

<https://www.phoenixcontact.com/us/products/1584198>

Classifications

ECLASS

ECLASS-13.0	27440290
ECLASS-15.0	27440191

ETIM

ETIM 10.0	EC003083
-----------	----------

UNSPSC

UNSPSC 21.0	39121400
-------------	----------

HC-B-TMS-ERSSCHR - Screw



1584198

<https://www.phoenixcontact.com/us/products/1584198>

Environmental product compliance

EU RoHS

Fulfills EU RoHS substance requirements	Yes, No exemptions
---	--------------------

China RoHS

Environment friendly use period (EFUP)	EFUP-E
	No hazardous substances above the limits

EU REACH SVHC

REACH candidate substance (CAS No.)	No substance above 0.1 wt%
-------------------------------------	----------------------------

Phoenix Contact 2026 © - all rights reserved
<https://www.phoenixcontact.com>

Phoenix Contact USA
586 Fulling Mill Road
Middletown, PA 17057, United States
(+717) 944-1300
info@phoenixcon.com