

HC-DD72-I-CT-F - Contact insert



1584091

<https://www.phoenixcontact.com/us/products/1584091>

Please be informed that the data shown in this PDF document is generated from our online catalog. Please find the complete data in the user documentation. Our general terms of use for downloads are valid.



Contact insert, number of positions: 72+PE, size: B16, number of connections per position: 1, Socket, Crimp connection, 250 V, 10 A, 0.14 mm² ... 2.5 mm², application: Signal

Your advantages

- Can be used in rail vehicles, satisfy DIN EN 45545-2 with requirement sets R22, R23, and R24 in hazard levels HL1, HL2, and HL3.
- Shock and vibration-resistant in accordance with DIN EN 61373

Commercial data

| | |
|--------------------------------------|---------------|
| Item number | 1584091 |
| Packing unit | 1 pc |
| Minimum order quantity | 1 pc |
| Sales key | BF61 |
| Product key | AF7ABF |
| GTIN | 4046356133401 |
| Weight per piece (including packing) | 61.3 g |
| Weight per piece (excluding packing) | 60.4 g |
| Customs tariff number | 85389099 |
| Country of origin | CN |

HC-DD72-I-CT-F - Contact insert



1584091

<https://www.phoenixcontact.com/us/products/1584091>

Technical data

Mounting

| | |
|---------------|-------------------------------------------------------------------------------------------|
| Assembly note | To ensure correct use, installation in housing with IP54 protection or better is required |
|---------------|-------------------------------------------------------------------------------------------|

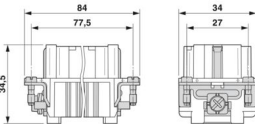
Product properties

| | |
|------------------------------------|----------------------------------------------|
| Product type | Contact insert with a fixed no. of positions |
| Series | HC-DD |
| Application | Signal |
| Type | B16 B32 |
| Number of positions | 72 |
| Connection profile | 72+PE |
| Contact numbering | 1 - 72 |
| Number of connections per position | 1 |
| Contact material type | turned rolled |

Insulation characteristics

| | |
|----------------------|-----|
| Overvoltage category | III |
| Degree of pollution | 3 |

Dimensions

| | |
|---------------------------------|--------------------------------------------------------------------------------------|
| Dimensional drawing |  |
| Width | 34 mm |
| Height | 34.5 mm |
| Length | 84 mm |
| Drill hole distance, horizontal | 77.5 mm |
| Drill hole distance, vertical | 27 mm |

Mechanical characteristics

| | |
|------------------------|--------|
| Minimum housing height | 72 mm |
| Contact diameter | 1.6 mm |

Connection data

Connection technology

| | |
|------------------------------------|------------------|
| Connection technology | Crimp connection |
| Number of connections per position | 1 |
| Connection in acc. with standard | IEC / EN |

HC-DD72-I-CT-F - Contact insert



1584091

<https://www.phoenixcontact.com/us/products/1584091>

Conductor connection

| | |
|-----------------------------------------|--------------------------------------------------------------------------|
| Conductor cross-section | 0.14 mm ² ... 2.5 mm ² |
| Connection cross section AWG | 26 ... 14 |
| Tightening torque | 0.8 Nm ... 1.2 Nm (PE connection) |
| | 0.5 Nm ... 0.8 Nm (Mounting screws for mounting in the HEAVYCON housing) |
| Stripping length of the individual wire | 8 mm (0.14 mm ² ... 1.5 mm ²) |
| | 6 mm (2.5 mm ²) |

Electrical properties

| | |
|-----------------------|----------------|
| Rated voltage (III/3) | 250 V |
| Rated surge voltage | 4 kV |
| Rated current | 10 A |
| SCCR | 5 kA (UL 2237) |

Mechanical properties

Mechanical data

| | |
|-----------------------------|-------|
| Insertion/withdrawal cycles | ≥ 500 |
|-----------------------------|-------|

Material specifications

| | |
|----------------------------------------|-----------------------|
| Flammability rating according to UL 94 | V0 |
| Contact material | Copper alloy |
| Contact surface material | Ag (alternatively Au) |
| Contact carrier material | PC |
| Standards/regulations | PC |

Environmental and real-life conditions

Ambient conditions

| | |
|---------------------------------|------------------------------------------------------|
| Ambient temperature (operation) | -40 °C ... 125 °C (including heating up of contacts) |
|---------------------------------|------------------------------------------------------|

Standards and regulations

| | |
|----------------------------------------|----------------------------|
| Constructional and testing regulations | DIN VDE 0627/86 |
| | DIN VDE 0110/02.79 |
| | DIN VDE 0110-1/04.97 |
| | IEC 60664-1, DIN IEC 60512 |
| | IEC 60352 |
| Tests | DIN VDE 0627/86 |
| | DIN VDE 0110/02.79 |
| | DIN VDE 0110-1/04.97 |
| | IEC 60664-1, DIN IEC 60512 |
| | IEC 60352 |

Testing

HC-DD72-I-CT-F - Contact insert



1584091

<https://www.phoenixcontact.com/us/products/1584091>

Standards/regulations

PC: Fire protection in rail vehicles - requirement sets R22, R23, and R24 acc. to DIN EN 45545-2 (Risk level HL1 - HL3)

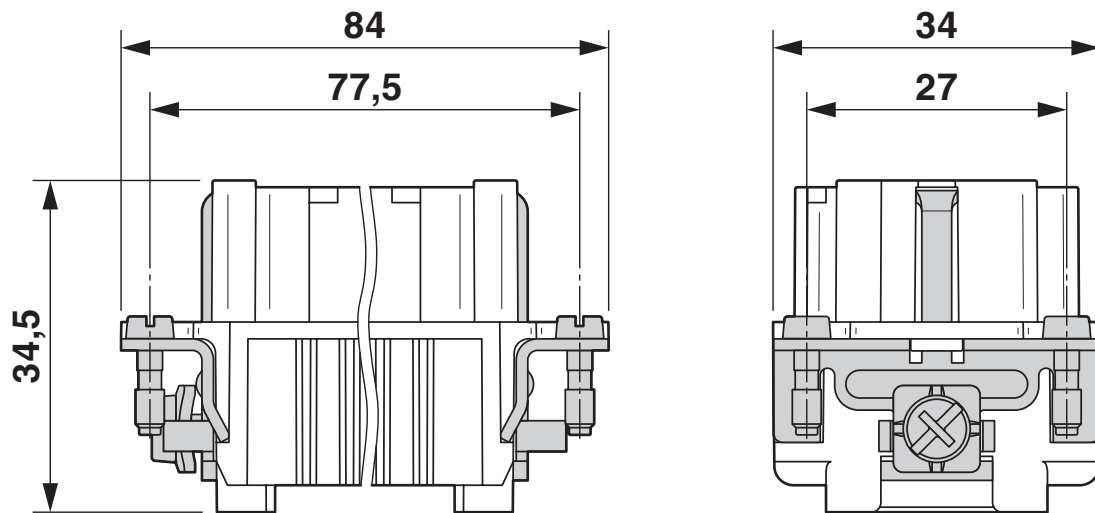
HC-DD72-I-CT-F - Contact insert

1584091

<https://www.phoenixcontact.com/us/products/1584091>

Drawings

Dimensional drawing



Female insert

Dimensional drawing



Mounting cutout when used without housing

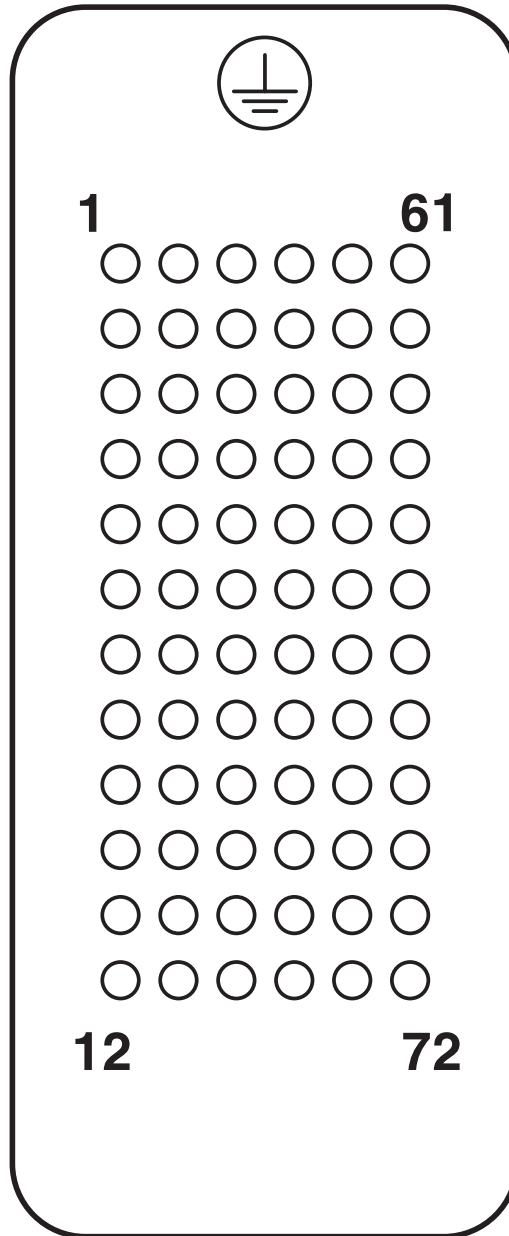
HC-DD72-I-CT-F - Contact insert

1584091

<https://www.phoenixcontact.com/us/products/1584091>



Schematic diagram



Connector pin assignment, connection side

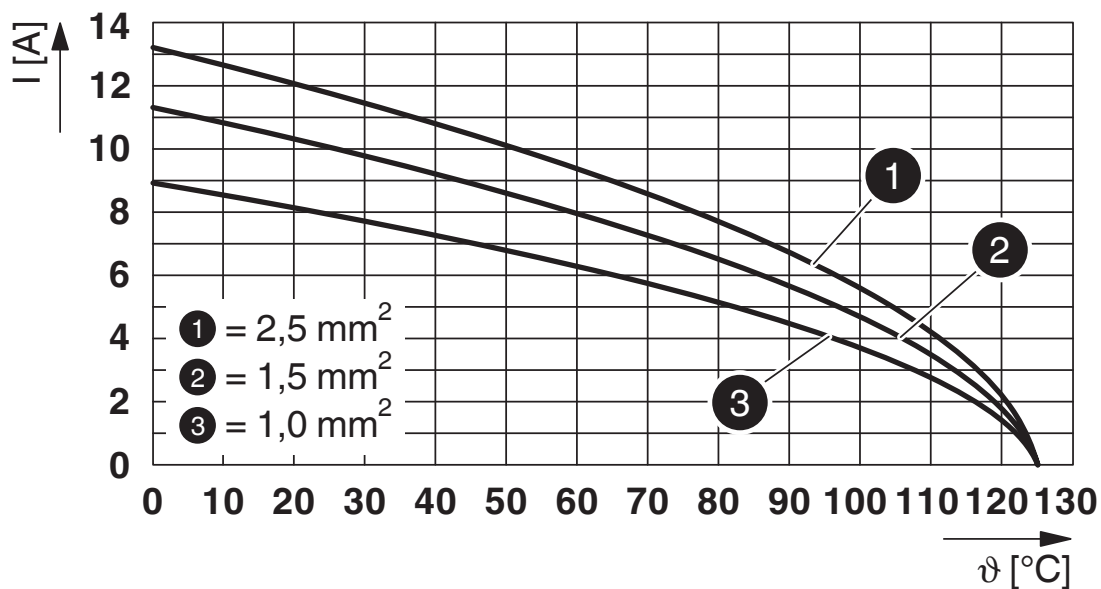
HC-DD72-I-CT-F - Contact insert



1584091

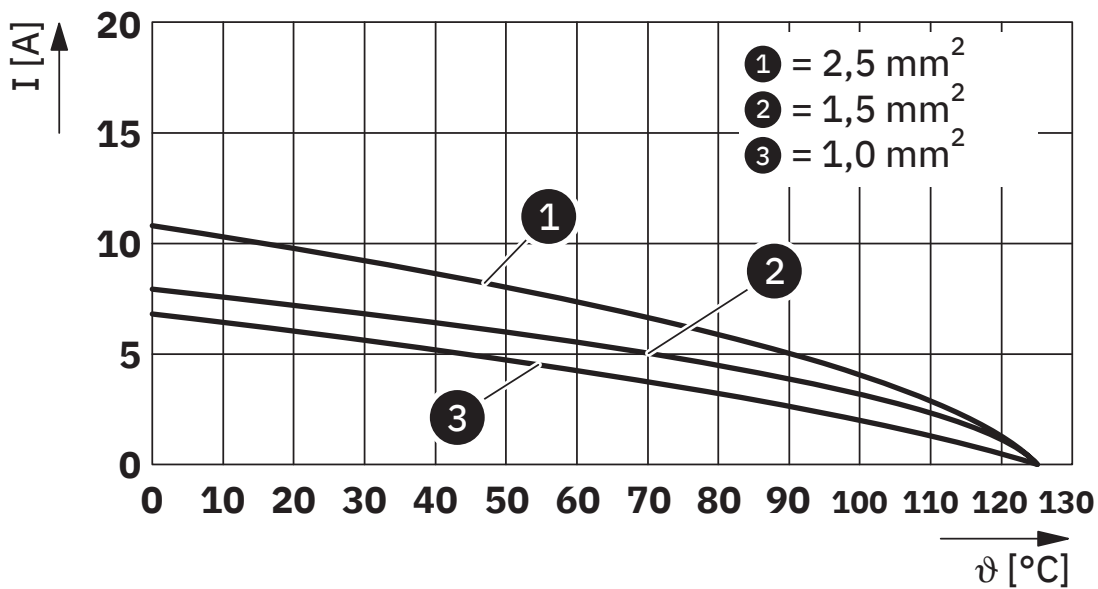
<https://www.phoenixcontact.com/us/products/1584091>

Diagram



Derating diagram turned contacts

Diagram



Derating diagram rolled contacts

HC-DD72-I-CT-F - Contact insert



1584091

<https://www.phoenixcontact.com/us/products/1584091>

Approvals

To download certificates, visit the product detail page: <https://www.phoenixcontact.com/us/products/1584091>

DNV

Approval ID: TAE000037S



CSA

Approval ID: 013631_6233_01

| | Nominal voltage U_N | Nominal current I_N | Cross section AWG | Cross section mm^2 |
|-------|-----------------------|-----------------------|-------------------|-----------------------------|
| keine | | | | |
| | 250 V | 7 A | 26 - 14 | - |



cUL Recognized

Approval ID: E118976

| | Nominal voltage U_N | Nominal current I_N | Cross section AWG | Cross section mm^2 |
|-------|-----------------------|-----------------------|-------------------|-----------------------------|
| keine | | | | |
| | 250 V | 7 A | - 14 | - |



UL Recognized

Approval ID: E118976

| | Nominal voltage U_N | Nominal current I_N | Cross section AWG | Cross section mm^2 |
|-------|-----------------------|-----------------------|-------------------|-----------------------------|
| keine | | | | |
| | 250 V | 10 A | - 14 | - |



cULus Recognized

Approval ID: E468743

| | Nominal voltage U_N | Nominal current I_N | Cross section AWG | Cross section mm^2 |
|-------|-----------------------|-----------------------|-------------------|-----------------------------|
| keine | | | | |
| | 250 V | 7 A | - 14 | - |

HC-DD72-I-CT-F - Contact insert



1584091

<https://www.phoenixcontact.com/us/products/1584091>

Classifications

ECLASS

| | |
|-------------|----------|
| ECLASS-13.0 | 27440205 |
| ECLASS-15.0 | 27440205 |

ETIM

| | |
|-----------|----------|
| ETIM 10.0 | EC000438 |
|-----------|----------|

UNSPSC

| | |
|-------------|----------|
| UNSPSC 21.0 | 39121500 |
|-------------|----------|

HC-DD72-I-CT-F - Contact insert



1584091

<https://www.phoenixcontact.com/us/products/1584091>

Environmental product compliance

EU RoHS

| | |
|-----------------------------------------|--------------------|
| Fulfills EU RoHS substance requirements | Yes, No exemptions |
|-----------------------------------------|--------------------|

China RoHS

| | |
|----------------------------------------|------------------------------------------|
| Environment friendly use period (EFUP) | EFUP-E |
| | No hazardous substances above the limits |

EU REACH SVHC

| | |
|-------------------------------------|----------------------------|
| REACH candidate substance (CAS No.) | No substance above 0.1 wt% |
|-------------------------------------|----------------------------|

Phoenix Contact 2026 © - all rights reserved
<https://www.phoenixcontact.com>

Phoenix Contact USA
586 Fulling Mill Road
Middletown, PA 17057, United States
(+717) 944-1300
info@phoenixcon.com