

# HC-M-KV-M25(1ASI) - Cable gland



1584020

<https://www.phoenixcontact.com/us/products/1584020>

Please be informed that the data shown in this PDF document is generated from our online catalog. Please find the complete data in the user documentation. Our general terms of use for downloads are valid.

Metal screw connection for an AS-Interface flat-ribbon conductor, thread type M25



## Commercial data

Item number	1584020
Packing unit	10 pc
Minimum order quantity	1 pc
Sales key	BF68
Product key	AF7DAX
GTIN	4046356131810
Weight per piece (including packing)	48.8 g
Weight per piece (excluding packing)	34.156 g
Customs tariff number	74198090
Country of origin	DE

# HC-M-KV-M25(1ASI) - Cable gland

1584020

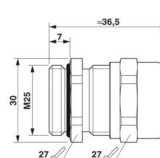
<https://www.phoenixcontact.com/us/products/1584020>

## Technical data

### Product properties

Product type	Cable screw gland
No. of conductors	1
Type of the screw connection	M25
Manufacturer	Jacob
Manufacturer Designation	50.625 M/ASI/1
Shielded	no

### Dimensions

Dimensional drawing	
Length	36.5 mm
Length of the connecting thread	7 mm
Hole diameter	25.1 mm ... 25.2 mm
Wrench size, union nut	27 mm
Wrench size, support	27 mm
Hexagon angular dimension	36 mm
Thread type connection side	M25 x 1.5
Thread pitch	1.5 mm

### Connection data

Tightening torque	10 Nm (Union nut)
	10 Nm (Support sleeve)

### Material specifications

Material Compression ring	PA
Seal material O-ring	NBR
Seal material Cable seal	TPE
Material for screw connection	Brass, nickel-plated

### Cable/line

External cable diameter Cable 1	For AS-Interface flat-ribbon cable
Halogen-free	no

### Environmental and real-life conditions

#### Ambient conditions

Degree of protection	IP65
Ambient temperature (operation)	-20 °C ... 100 °C

# HC-M-KV-M25(1ASI) - Cable gland

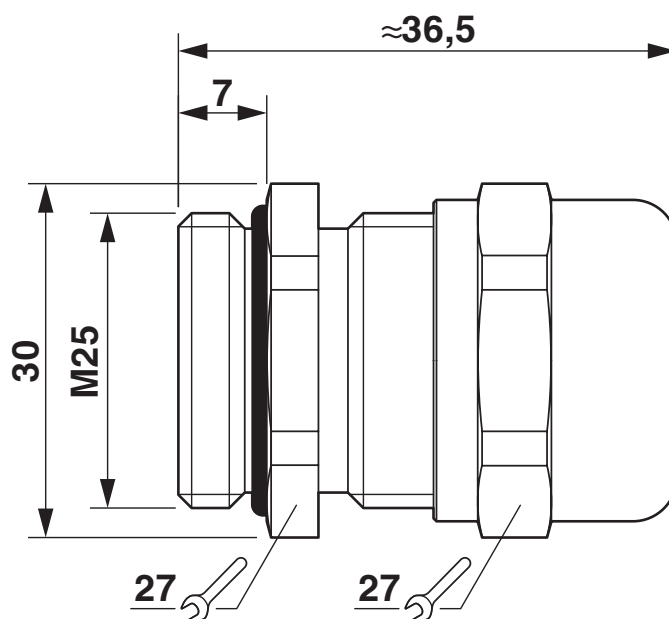
1584020

<https://www.phoenixcontact.com/us/products/1584020>



## Drawings

Dimensional drawing



Dimensional drawing

# HC-M-KV-M25(1ASI) - Cable gland



1584020

<https://www.phoenixcontact.com/us/products/1584020>

## Classifications

### ECLASS

ECLASS-13.0	27140801
ECLASS-15.0	27140801

### ETIM

ETIM 9.0	EC000441
----------	----------

### UNSPSC

UNSPSC 21.0	39121300
-------------	----------

# HC-M-KV-M25(1ASI) - Cable gland



1584020

<https://www.phoenixcontact.com/us/products/1584020>

## Environmental product compliance

### EU RoHS

Fulfills EU RoHS substance requirements	Yes
Exemption	6(c)

### China RoHS

Environment friendly use period (EFUP)	EFUP-50
	An article-related China RoHS declaration table can be found in the download area for the respective article under "Manufacturer declaration". For all articles with EFUP-E, no China RoHS declaration table issued and required.

### EU REACH SVHC

REACH candidate substance (CAS No.)	Lead(CAS: 7439-92-1)
SCIP	ebaa2c2a-1035-48f1-94d6-76238da22399

Phoenix Contact 2026 © - all rights reserved

<https://www.phoenixcontact.com>

Phoenix Contact USA  
586 Fulling Mill Road  
Middletown, PA 17057, United States  
(+717) 944-1300  
[info@phoenixcon.com](mailto:info@phoenixcon.com)