

HC-M-KV-M20(1ASI) - Cable gland



1584017

<https://www.phoenixcontact.com/us/products/1584017>

Please be informed that the data shown in this PDF document is generated from our online catalog. Please find the complete data in the user documentation. Our general terms of use for downloads are valid.

Metal screw connection for an AS-Interface flat-ribbon conductor, thread type M20



Commercial data

Item number	1584017
Packing unit	10 pc
Minimum order quantity	1 pc
Sales key	BF68
Product key	AF7DAX
GTIN	4046356131803
Weight per piece (including packing)	34.5 g
Weight per piece (excluding packing)	34.8 g
Customs tariff number	85389099
Country of origin	DE

HC-M-KV-M20(1ASI) - Cable gland

1584017

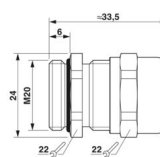
<https://www.phoenixcontact.com/us/products/1584017>

Technical data

Product properties

Product type	Cable screw gland
Application	Standard
No. of conductors	1
Type of the screw connection	M20
Manufacturer	Jacob
Manufacturer Designation	50.620 M/ASI/1
Shielded	no

Dimensions

Dimensional drawing	
Length	33.5 mm
Length of the connecting thread	6 mm
Hole diameter	20.1 mm ... 20.2 mm
Wrench size, union nut	22 mm
Wrench size, support	22 mm
Hexagon angular dimension	24 mm
Thread type connection side	M20 x 1.5
Thread pitch	1.5 mm

Connection data

Tightening torque	7.5 Nm (Union nut)
	7.5 Nm (Support sleeve)

Material specifications

Material Compression ring	PA
Seal material O-ring	NBR
Seal material Cable seal	TPE
Material for screw connection	Brass, nickel-plated

Cable/line

External cable diameter Cable 1	For AS-Interface flat-ribbon cable
Halogen-free	no

Environmental and real-life conditions

Ambient conditions

Degree of protection	IP65
----------------------	------

HC-M-KV-M20(1ASI) - Cable gland

1584017

<https://www.phoenixcontact.com/us/products/1584017>



Ambient temperature (operation)

-20 °C ... 100 °C

HC-M-KV-M20(1ASI) - Cable gland

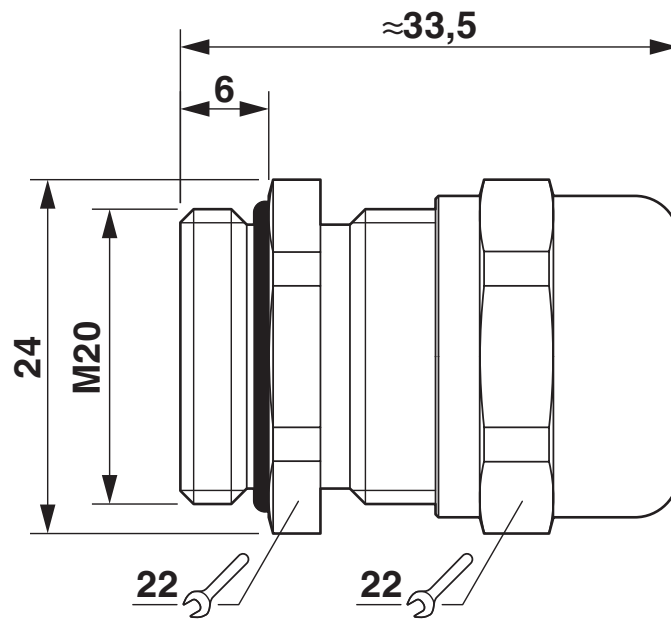
1584017

<https://www.phoenixcontact.com/us/products/1584017>



Drawings

Dimensional drawing



Dimensional drawing

HC-M-KV-M20(1ASI) - Cable gland



1584017

<https://www.phoenixcontact.com/us/products/1584017>

Approvals

To download certificates, visit the product detail page: <https://www.phoenixcontact.com/us/products/1584017>



EAC-RoHS

Approval ID: RU D-DE.HB35.B.00387

HC-M-KV-M20(1ASI) - Cable gland



1584017

<https://www.phoenixcontact.com/us/products/1584017>

Classifications

ECLASS

ECLASS-13.0	27140801
ECLASS-15.0	27140801

ETIM

ETIM 10.0	EC000441
-----------	----------

UNSPSC

UNSPSC 21.0	39121300
-------------	----------

HC-M-KV-M20(1ASI) - Cable gland



1584017

<https://www.phoenixcontact.com/us/products/1584017>

Environmental product compliance

EU RoHS

Fulfills EU RoHS substance requirements	Yes
Exemption	6(c)

China RoHS

Environment friendly use period (EFUP)	EFUP-50
	An article-related China RoHS declaration table can be found in the download area for the respective article under "Manufacturer declaration". For all articles with EFUP-E, no China RoHS declaration table issued and required.

EU REACH SVHC

REACH candidate substance (CAS No.)	Lead(CAS: 7439-92-1)
SCIP	024291ab-d4ba-454f-90a2-10d6ba024cdb

EF3.1 Climate Change

CO2e kg	0.598 kg CO2e
---------	---------------

Phoenix Contact 2026 © - all rights reserved
<https://www.phoenixcontact.com>

Phoenix Contact USA
586 Fulling Mill Road
Middletown, PA 17057, United States
(+717) 944-1300
info@phoenixcon.com