

# VC-AL-T4-R-M32-S - Housing

1583788

<https://www.phoenixcontact.com/us/products/1583788>

Please be informed that the data shown in this PDF document is generated from our online catalog. Please find the complete data in the user documentation. Our general terms of use for downloads are valid.



Aluminum die-cast sleeve housing, with grommet, locking screws with knurled head, for a metric M32 cable gland, angled cable outlet, type VC4

## Commercial data

Item number	1583788
Packing unit	1 pc
Note	Made to order (non-returnable)
Sales key	NULL
Product key	ABLAAX
GTIN	4046356183413
Weight per piece (including packing)	313.5 g
Weight per piece (excluding packing)	307.93 g
Customs tariff number	85369010
Country of origin	PL

# VC-AL-T4-R-M32-S - Housing

1583788

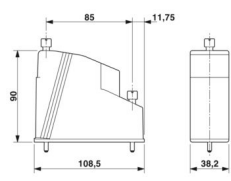
<https://www.phoenixcontact.com/us/products/1583788>

## Technical data

### Product properties

Product type	Sleeve housings
Product family	VARIOCON
Type	VC4
No. of cable outlets	1
Type of the screw connection	M32 x 1.5
Fixing screws	M4
Shielded	no
Cable outlet	slanted

### Dimensions

Dimensional drawing	
Height	90 mm

### Material specifications

Color	gray aluminum
Flammability rating according to UL 94	V0
Seal material	NBR, conductive
Housing material	Die-cast aluminum
O-ring material	NBR
Material of locking screw	Brass, nickel-plated

### Mechanical properties

#### Mechanical data

Type of the screw connection	M32 x 1.5
Locking type	Screw

### Environmental and real-life conditions

#### Ambient conditions

Degree of protection	IP65
Ambient temperature (operation)	-40 °C ... 125 °C

### Mounting

Fixing screws	M4
---------------	----

# VC-AL-T4-R-M32-S - Housing

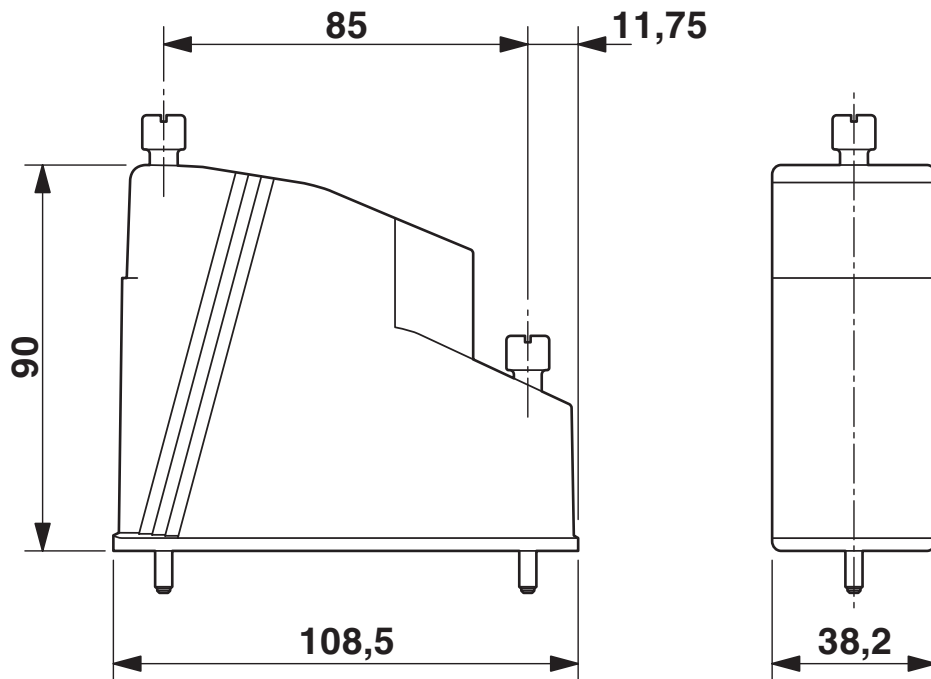
1583788

<https://www.phoenixcontact.com/us/products/1583788>

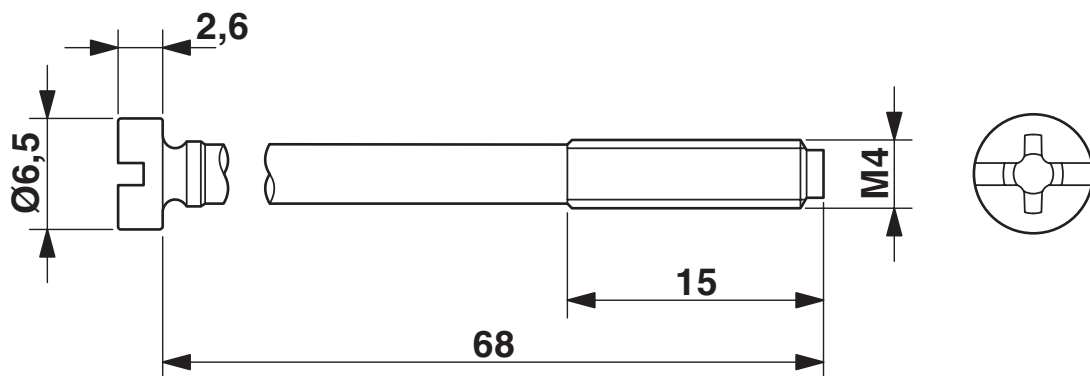


## Drawings

Dimensional drawing



Dimensional drawing



# VC-AL-T4-R-M32-S - Housing



1583788

<https://www.phoenixcontact.com/us/products/1583788>

## Environmental product compliance

### EU RoHS

Fulfills EU RoHS substance requirements	Yes, No exemptions
---	--------------------

### China RoHS

Environment friendly use period (EFUP)	EFUP-E
	No hazardous substances above the limits

### EU REACH SVHC

REACH candidate substance (CAS No.)	No substance above 0.1 wt%
-------------------------------------	----------------------------

Phoenix Contact 2026 © - all rights reserved  
<https://www.phoenixcontact.com>

Phoenix Contact USA  
586 Fulling Mill Road  
Middletown, PA 17057, United States  
(+717) 944-1300  
[info@phoenixcon.com](mailto:info@phoenixcon.com)