

VC-AL-T3-R-M32-S - Housing

1583720

<https://www.phoenixcontact.com/us/products/1583720>

Please be informed that the data shown in this PDF document is generated from our online catalog. Please find the complete data in the user documentation. Our general terms of use for downloads are valid.



Aluminum die-cast sleeve housing, with grommet, locking screws with knurled head, for a metric M32 cable gland, angled cable outlet, type VC3

Commercial data

Item number	1583720
Packing unit	1 pc
Note	Made to order (non-returnable)
Sales key	AB01
Product key	ABLAAX
GTIN	4046356183352
Weight per piece (including packing)	279.88 g
Weight per piece (excluding packing)	150 g
Customs tariff number	85389099
Country of origin	PL

1583720

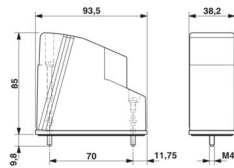
<https://www.phoenixcontact.com/us/products/1583720>

Technical data

Product properties

Product type	Sleeve housings
Product family	VARIOCON
Type	VC3
No. of cable outlets	1
Type of the screw connection	M32 x 1.5
Fixing screws	M4
Shielded	no
Cable outlet	slanted

Dimensions

Dimensional drawing	
Width	38 mm
Height	85 mm
Length	94 mm

Material specifications

Color	gray aluminum
Flammability rating according to UL 94	V0
Seal material	NBR, conductive
Housing material	Die-cast aluminum
O-ring material	NBR
Material of locking screw	Brass, nickel-plated

Mechanical properties

Mechanical data

Type of the screw connection	M32 x 1.5
Locking type	Screw

Environmental and real-life conditions

Ambient conditions

Degree of protection	IP65
Ambient temperature (operation)	-40 °C ... 125 °C

Mounting

Fixing screws	M4
---------------	----

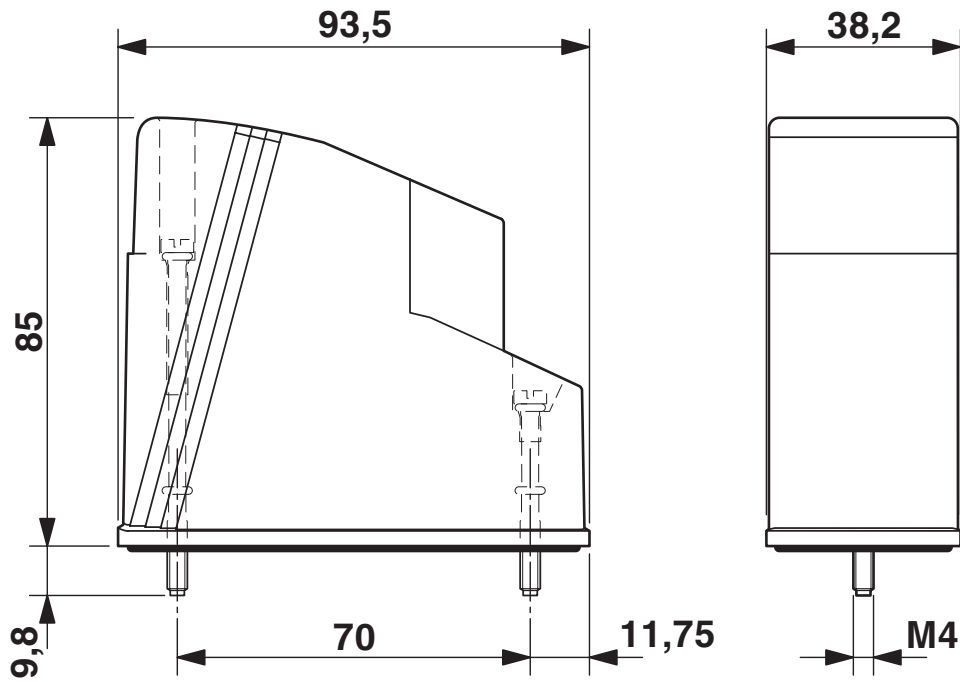
VC-AL-T3-R-M32-S - Housing

1583720

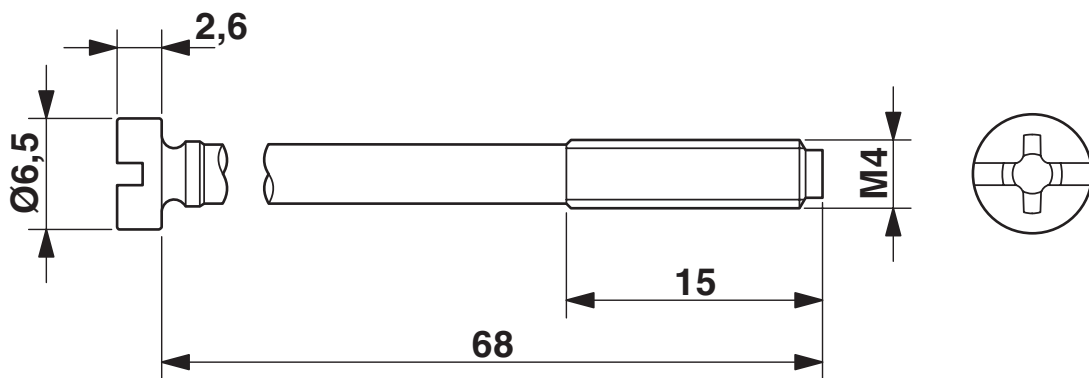
<https://www.phoenixcontact.com/us/products/1583720>

Drawings

Dimensional drawing



Dimensional drawing



VC-AL-T3-R-M32-S - Housing



1583720

<https://www.phoenixcontact.com/us/products/1583720>

Environmental product compliance

EU RoHS

Fulfills EU RoHS substance requirements	Yes, No exemptions
---	--------------------

China RoHS

Environment friendly use period (EFUP)	EFUP-E
	No hazardous substances above the limits

EU REACH SVHC

REACH candidate substance (CAS No.)	No substance above 0.1 wt%
-------------------------------------	----------------------------

Phoenix Contact 2026 © - all rights reserved
<https://www.phoenixcontact.com>

Phoenix Contact USA
586 Fulling Mill Road
Middletown, PA 17057, United States
(+717) 944-1300
info@phoenixcon.com