

# VC-AL-T3-Z-M25/M20-S - Housing

1583681

<https://www.phoenixcontact.com/us/products/1583681>

Please be informed that the data shown in this PDF document is generated from our online catalog. Please find the complete data in the user documentation. Our general terms of use for downloads are valid.



Aluminum die-cast sleeve housing, with grommet, locking screws with cylinder head, for two metric cable glands M25 and M20, angled cable outlet, type VC3

## Your advantages

- Housing with two cable entries for M20 and M25 screw connections.
- Angled cable outlet so the cable can be routed as desired, from the side and straight
- Aluminum housing with extended cabling space for high-position and power contact inserts

## Commercial data

Item number	1583681
Packing unit	1 pc
Note	Made to order (non-returnable)
Sales key	AB01
Product key	ABLAAX
GTIN	4046356183314
Weight per piece (including packing)	279.6 g
Weight per piece (excluding packing)	279.6 g
Customs tariff number	85369010
Country of origin	PL

# VC-AL-T3-Z-M25/M20-S - Housing

1583681

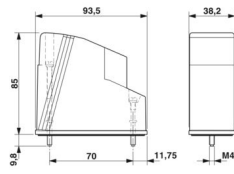
<https://www.phoenixcontact.com/us/products/1583681>

## Technical data

### Product properties

Product type	Sleeve housings
Product family	VARIOCON
Type	VC3
No. of cable outlets	2
Type of the screw connection	M25/M20 x 1.5
Fixing screws	M4
Shielded	no
Cable outlet	slanted

### Dimensions

Dimensional drawing	
Height	85 mm

### Material specifications

Color	gray aluminum
Flammability rating according to UL 94	V0
Seal material	NBR, conductive
Housing material	Die-cast aluminum
O-ring material	NBR
Material of locking screw	V2A

### Mechanical properties

#### Mechanical data

Type of the screw connection	M25/M20 x 1.5
Locking type	Screw

### Environmental and real-life conditions

#### Ambient conditions

Degree of protection	IP65
Ambient temperature (operation)	-40 °C ... 125 °C

### Mounting

Fixing screws	M4
---------------	----

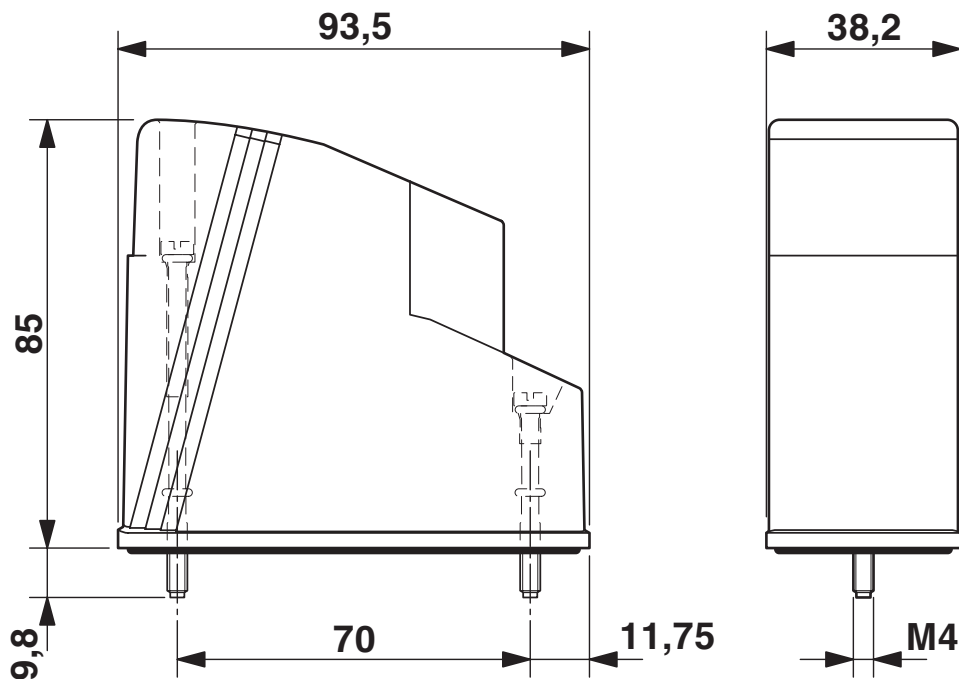
# VC-AL-T3-Z-M25/M20-S - Housing

1583681

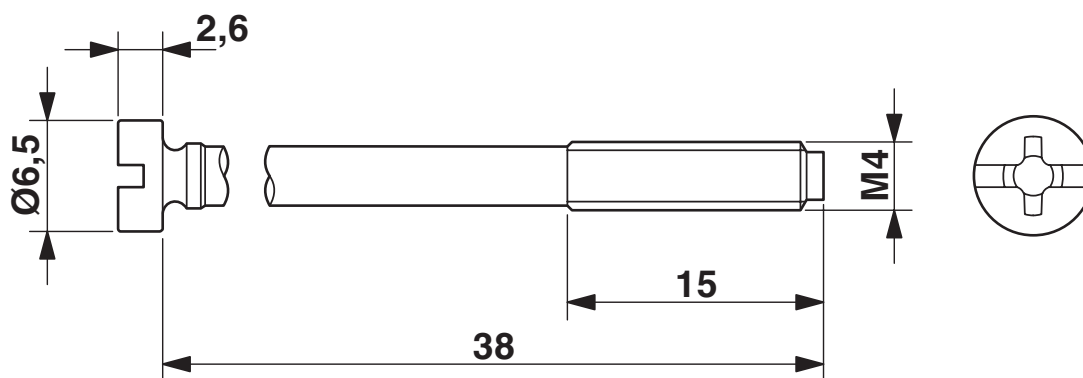
<https://www.phoenixcontact.com/us/products/1583681>

## Drawings

Dimensional drawing



Dimensional drawing



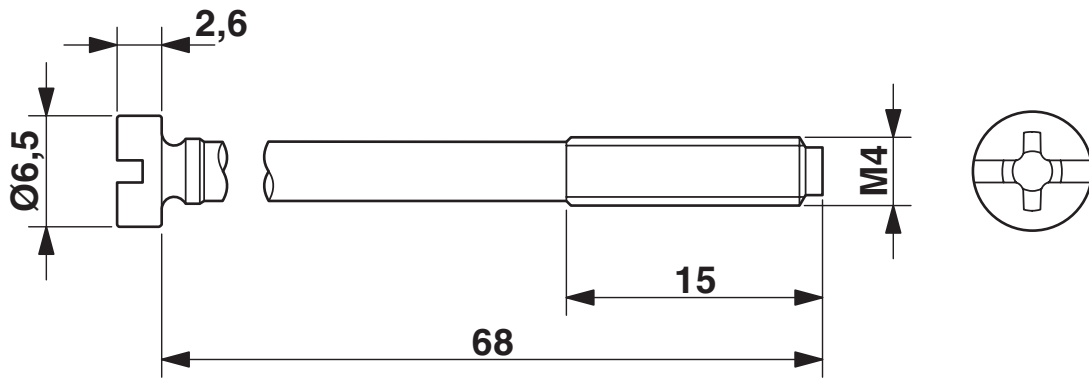
# VC-AL-T3-Z-M25/M20-S - Housing

1583681

<https://www.phoenixcontact.com/us/products/1583681>



Dimensional drawing



# VC-AL-T3-Z-M25/M20-S - Housing



1583681

<https://www.phoenixcontact.com/us/products/1583681>

## Environmental product compliance

### EU RoHS

Fulfills EU RoHS substance requirements	Yes, No exemptions
---	--------------------

### China RoHS

Environment friendly use period (EFUP)	EFUP-E
	No hazardous substances above the limits

### EU REACH SVHC

REACH candidate substance (CAS No.)	No substance above 0.1 wt%
-------------------------------------	----------------------------

Phoenix Contact 2026 © - all rights reserved  
<https://www.phoenixcontact.com>

Phoenix Contact USA  
586 Fulling Mill Road  
Middletown, PA 17057, United States  
(+717) 944-1300  
[info@phoenixcon.com](mailto:info@phoenixcon.com)