

VC-AL-T1-Z-M20-S - Sleeve housing



1583597

<https://www.phoenixcontact.com/us/products/1583597>

Please be informed that the data shown in this PDF document is generated from our online catalog. Please find the complete data in the user documentation. Our general terms of use for downloads are valid.



Aluminum die-cast sleeve housing, with grommet, locking screws with cylinder head, for a metric M20 cable gland, angled cable outlet, type VC1

Commercial data

| | |
|--------------------------------------|--------------------------------|
| Item number | 1583597 |
| Packing unit | 1 pc |
| Note | Made to order (non-returnable) |
| Sales key | AB01 |
| Product key | ABLAAX |
| GTIN | 4046356183222 |
| Weight per piece (including packing) | 149.32 g |
| Weight per piece (excluding packing) | 149.32 g |
| Customs tariff number | 85389099 |
| Country of origin | PL |

VC-AL-T1-Z-M20-S - Sleeve housing

1583597

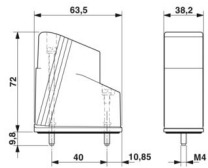
<https://www.phoenixcontact.com/us/products/1583597>

Technical data

Product properties

| | |
|------------------------------|-----------------|
| Product type | Sleeve housings |
| Product family | VARIOCON |
| Type | VC1 |
| No. of cable outlets | 1 |
| Type of the screw connection | M20 x 1.5 |
| Fixing screws | M4 |
| Shielded | no |
| Cable outlet | slanted |

Dimensions

| | |
|---------------------|---|
| Dimensional drawing |  |
| Height | 72 mm |

Material specifications

| | |
|--|-------------------|
| Color | gray aluminum |
| Flammability rating according to UL 94 | V0 |
| Seal material | NBR, conductive |
| Housing material | Die-cast aluminum |
| O-ring material | NBR |
| Material of locking screw | V2A |

Mechanical properties

Mechanical data

| | |
|------------------------------|-----------|
| Type of the screw connection | M20 x 1.5 |
| Locking type | Screw |

Environmental and real-life conditions

Ambient conditions

| | |
|---------------------------------|-------------------|
| Degree of protection | IP65 |
| Ambient temperature (operation) | -40 °C ... 125 °C |

Mounting

| | |
|---------------|----|
| Fixing screws | M4 |
|---------------|----|

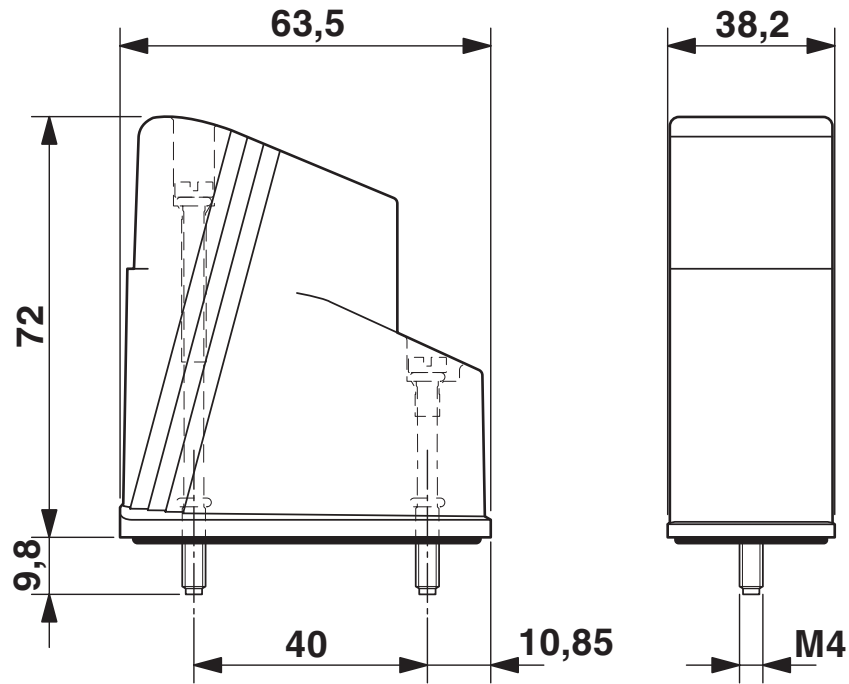
VC-AL-T1-Z-M20-S - Sleeve housing

1583597

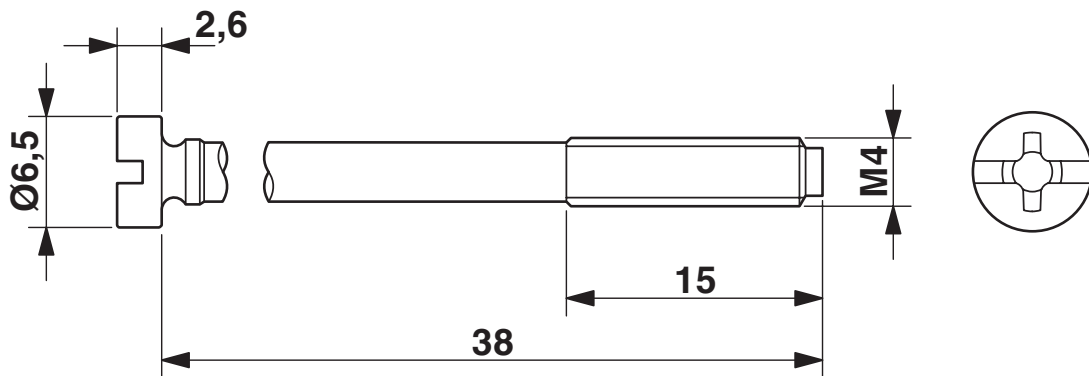
<https://www.phoenixcontact.com/us/products/1583597>

Drawings

Dimensional drawing



Dimensional drawing



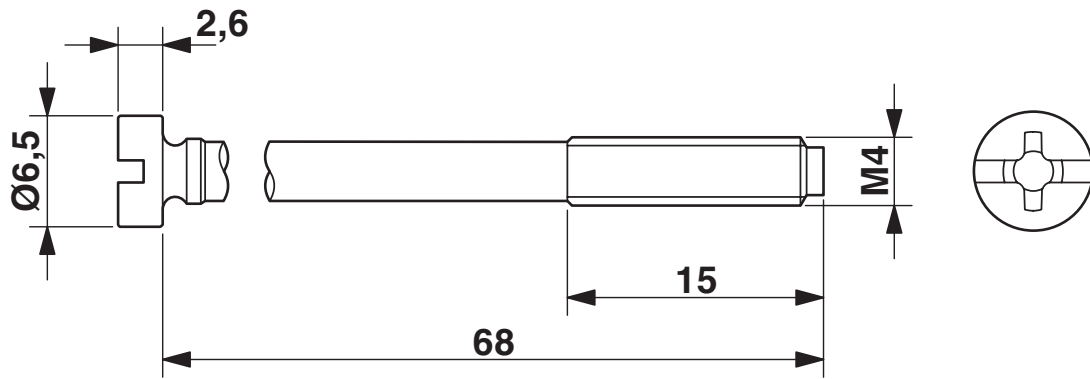
VC-AL-T1-Z-M20-S - Sleeve housing

1583597

<https://www.phoenixcontact.com/us/products/1583597>



Dimensional drawing



VC-AL-T1-Z-M20-S - Sleeve housing



1583597

<https://www.phoenixcontact.com/us/products/1583597>

Environmental product compliance

EU RoHS

| | |
|---|--------------------|
| Fulfills EU RoHS substance requirements | Yes, No exemptions |
|---|--------------------|

China RoHS

| | |
|--|--|
| Environment friendly use period (EFUP) | EFUP-E |
| | No hazardous substances above the limits |

EU REACH SVHC

| | |
|-------------------------------------|----------------------------|
| REACH candidate substance (CAS No.) | No substance above 0.1 wt% |
|-------------------------------------|----------------------------|

Phoenix Contact 2026 © - all rights reserved
<https://www.phoenixcontact.com>

Phoenix Contact USA
586 Fulling Mill Road
Middletown, PA 17057, United States
(+717) 944-1300
info@phoenixcon.com