

QPD P 4X2,5 6-10 BK GY - Connector



1582639

<https://www.phoenixcontact.com/us/products/1582639>

Please be informed that the data shown in this PDF document is generated from our online catalog. Please find the complete data in the user documentation. Our general terms of use for downloads are valid.



Connector, connection method: IDC connection, number of positions: 4, 1 mm² ... 2.5 mm², 690 V, 20 A, PA, gray, external cable diameter: 6 mm ... 10 mm

Commercial data

Item number	1582639
Packing unit	1 pc
Minimum order quantity	1 pc
Product key	AF6BBB
GTIN	4046356618052
Weight per piece (including packing)	48.6 g
Weight per piece (excluding packing)	32.4 g
Country of origin	DE

1582639

<https://www.phoenixcontact.com/us/products/1582639>

Technical data

Product properties

Product type	Installation connector
Product family	QPD
Type	QPD 4x2,5
Number of positions	4
Connection profile	4
Position marking	1, 2, 3, 4
Number of connections	4
Number of connections per position	1

Insulation characteristics

Overvoltage category	III
Degree of pollution	3

Electrical properties

Rated surge voltage (II/2)	8 kV
Rated surge voltage (III/2)	8 kV
Rated surge voltage (III/3)	6 kV
Rated current	20 A
Contact resistance	< 3 mΩ
rated voltage (II/2)	1000 V
rated voltage (III/2)	1000 V
Rated voltage (III/3)	690 V
Nominal voltage U_N	690 V
Nominal current I_N	20 A

Connection data

Connection technology

Connection method On the field side	IDC connection
Frequency of connections between conductors of the same cross section	max. 10

Conductor connection

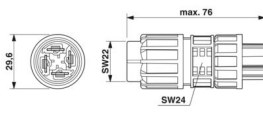
Conductor cross-section flexibel	1 mm ² ... 2.5 mm ²
Conductor cross-section solid	1 mm ² ... 2.5 mm ²
Connection cross section AWG	16 ... 14
Tightening torque Union nut	10 Nm
Wrench size Union nut	22 mm

Dimensions

QPD P 4X2,5 6-10 BK GY - Connector

1582639

<https://www.phoenixcontact.com/us/products/1582639>

Dimensional drawing	
Width	29.6 mm
Height	29.6 mm
Length	76 mm
Diameter	29.6 mm

Material specifications

Color	black (RAL 9005)
Material Housing	PA
Material Contact	CuZn
Material Contact surface	tin-plated
Flammability rating according to UL 94	V0
Material wire insulation	PVC / PE

Cable/line

Structure of individual litz in acc. with VDE 0295 / smallest wire diameter	VDE 0295 class 1 to 6/min. 0.15 mm
External cable diameter	6 mm ... 10 mm
Wire diameter including insulation	2 mm ... 3.8 mm
Position marking	1, 2, 3, 4
Material wire insulation	PVC / PE

Mechanical properties

Mechanical data

Insertion/withdrawal cycles	max. 50
-----------------------------	---------

Environmental and real-life conditions

Ambient conditions

Degree of protection	IP66 IP68 (2 m / 24 h)
Impact strength	IK07
Ambient temperature (operation)	-40 °C ... 100 °C
Temperature when conductor connected	-5 °C ... 50 °C
Ambient temperature (storage/transport)	-40 °C ... 80 °C

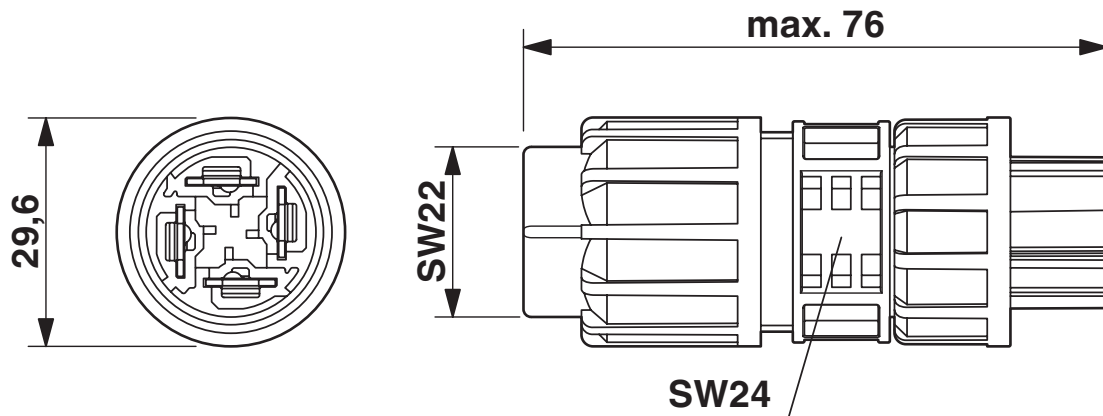
QPD P 4X2,5 6-10 BK GY - Connector

1582639

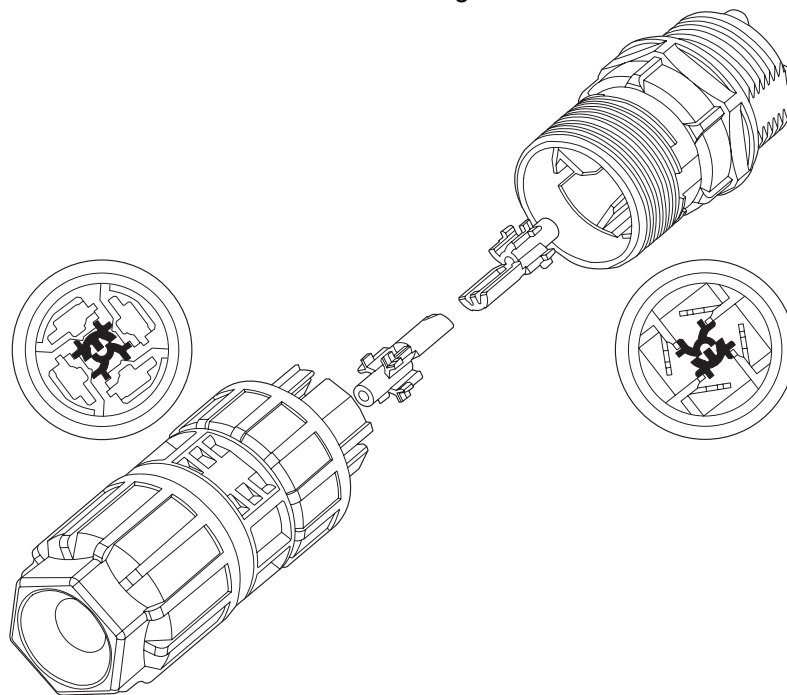
<https://www.phoenixcontact.com/us/products/1582639>

Drawings

Dimensional drawing



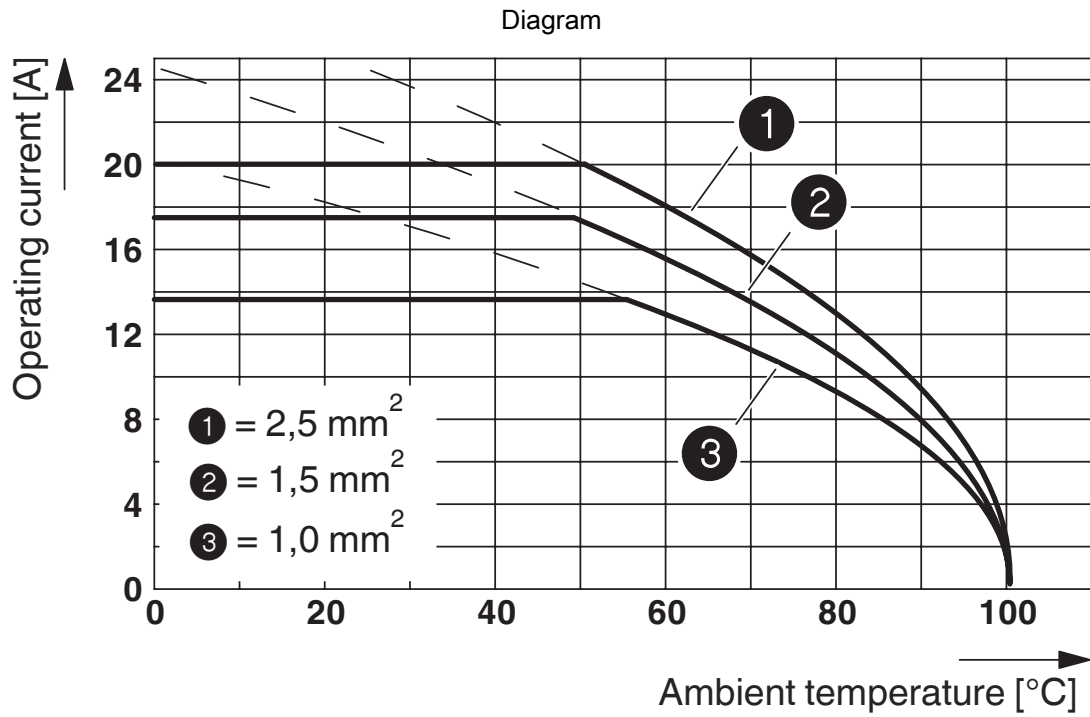
Schematic diagram



Coding of the QUICKON plug-in connection

1582639

<https://www.phoenixcontact.com/us/products/1582639>



QPD P 4X2,5 6-10 BK GY - Connector



1582639

<https://www.phoenixcontact.com/us/products/1582639>

Classifications

ECLASS

ECLASS-13.0	27440605
ECLASS-15.0	27440605

UNSPSC

UNSPSC 21.0	39121402
-------------	----------

QPD P 4X2,5 6-10 BK GY - Connector



1582639

<https://www.phoenixcontact.com/us/products/1582639>

Environmental product compliance

EU RoHS

Fulfills EU RoHS substance requirements	Yes, No exemptions
---	--------------------

China RoHS

Environment friendly use period (EFUP)	EFUP-E
	No hazardous substances above the limits

EU REACH SVHC

REACH candidate substance (CAS No.)	No substance above 0.1 wt%
-------------------------------------	----------------------------

Phoenix Contact 2026 © - all rights reserved
<https://www.phoenixcontact.com>

Phoenix Contact USA
586 Fulling Mill Road
Middletown, PA 17057, United States
(+717) 944-1300
info@phoenixcon.com