

QPD W 4PE2,5 M25 0,5 GY - Panel feed-through



1582577

<https://www.phoenixcontact.com/us/products/1582577>

Please be informed that the data shown in this PDF document is generated from our online catalog. Please find the complete data in the user documentation. Our general terms of use for downloads are valid.



Panel feed-through, connection method: Single wires (Welded-on), number of positions: 4+PE, M25, Pin, 1 mm² ... 2.5 mm², 690 V, 20 A, PA, gray, without QUICKON nut, coding: coded, 2.5 mm², wires cut flat at the end, cable length: 0.5 m

Commercial data

Item number	1582577
Packing unit	1 pc
Minimum order quantity	1 pc
Product key	AF6ABB
GTIN	4046356662079
Weight per piece (including packing)	112.5 g
Weight per piece (excluding packing)	112.5 g
Country of origin	DE

QPD W 4PE2,5 M25 0,5 GY - Panel feed-through



1582577

<https://www.phoenixcontact.com/us/products/1582577>

Technical data

Product properties

Product type	Panel feed-through
Product family	QPD
Type	QPD 5x2,5
Number of positions	5
Connection profile	4+PE
Position marking	1, 2, L, N, PE
Number of connections	10
Number of connections per position	1
Coding	coded

Insulation characteristics

Overvoltage category	III
Degree of pollution	3

Connection data

Connection technology

Connection method On the device side	Single wires (Welded-on)
Frequency of connections between conductors of the same cross section	max. 10

Conductor connection

Conductor cross-section flexibel	1 mm ² ... 2.5 mm ²
Conductor cross-section solid	1 mm ² ... 2.5 mm ²
Connection cross section AWG	16 ... 14
Tightening torque Union nut	10 Nm
Tightening torque Locking nut	5 Nm
Wrench size Union nut	27 mm
Wrench size Locking nut	30 mm

Connection assignment

Contact Color (signal designation) Contact (optional)	1 BK
	2 BN
	3 GY
	N BU
	PE GNYE

Dimensions

Dimensional drawing	
---------------------	--

QPD W 4PE2,5 M25 0,5 GY - Panel feed-through



1582577

<https://www.phoenixcontact.com/us/products/1582577>

Width	33.4 mm
Height	33.4 mm
Length	53.2 mm
Wrench size	27 mm
Wrench size for mounting	27 mm

Electrical properties

Rated surge voltage (II/2)	8 kV
Rated surge voltage (III/2)	8 kV
Rated surge voltage (III/3)	6 kV
Rated current	20 A
Contact resistance	< 3 mΩ
rated voltage (II/2)	1000 V
rated voltage (III/2)	1000 V
Rated voltage (III/3)	690 V
Nominal voltage U_N	690 V
Nominal current I_N	20 A

Material specifications

Material Housing	PA
Material Contact	Cu
Material Contact surface	silver-plated
Flammability rating according to UL 94	V0
Material wire insulation	PVC/PE/TPE/rubber

Cable/line

Cable length	0.5 m
Structure of individual litz in acc. with VDE 0295 / smallest wire diameter	VDE 0295 class 1 to 6/min. 0.15 mm
Wire diameter including insulation	2 mm ... 3.8 mm
Position marking	1, 2, L, N, PE
Single wire, color	black, brown, gray, blue, green/yellow
Cable cross section	2.5 mm ²
Material wire insulation	PVC/PE/TPE/rubber

Mounting

Mounting type	Front mounting M25
---------------	--------------------

Environmental and real-life conditions

Ambient conditions

Degree of protection	IP66
	IP68 (2 m / 24 h)
	IP69K
Impact strength	IK07

QPD W 4PE2,5 M25 0,5 GY - Panel feed-through



1582577

<https://www.phoenixcontact.com/us/products/1582577>

Ambient temperature (operation)	-40 °C ... 100 °C
Temperature when conductor connected	-5 °C ... 50 °C
Ambient temperature (storage/transport)	-40 °C ... 80 °C

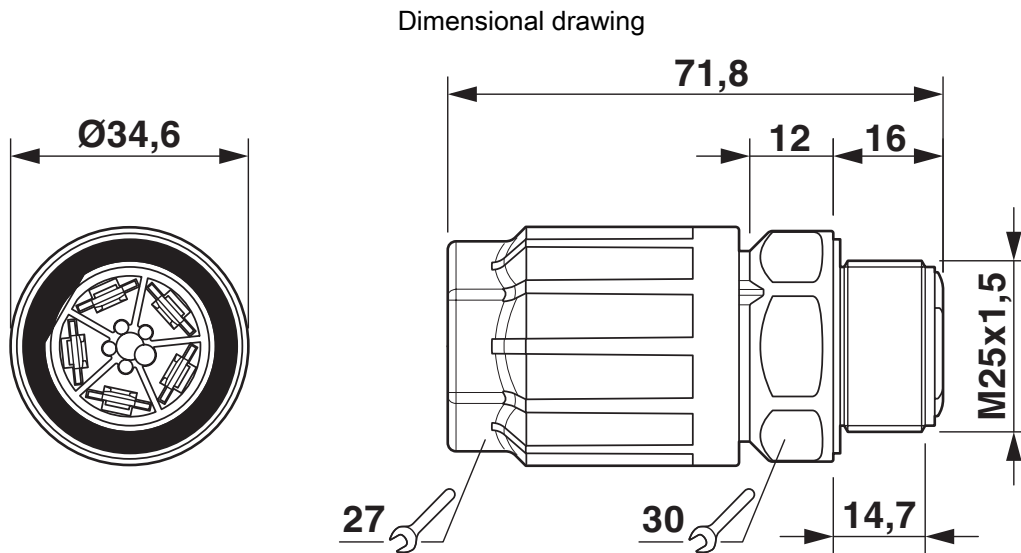
QPD W 4PE2,5 M25 0,5 GY - Panel feed-through



1582577

<https://www.phoenixcontact.com/us/products/1582577>

Drawings



QPD W 4PE2.5 M25 dimensional drawing



Panel cutout

QPD W 4PE2,5 M25 0,5 GY - Panel feed-through



1582577

<https://www.phoenixcontact.com/us/products/1582577>

Classifications

ECLASS

ECLASS-13.0	27440602
ECLASS-15.0	27440602

ETIM

ETIM 9.0	EC002566
----------	----------

QPD W 4PE2,5 M25 0,5 GY - Panel feed-through



1582577

<https://www.phoenixcontact.com/us/products/1582577>

Environmental product compliance

EU RoHS

Fulfills EU RoHS substance requirements	Yes, No exemptions
---	--------------------

China RoHS

Environment friendly use period (EFUP)	EFUP-50
	An article-related China RoHS declaration table can be found in the download area for the respective article under "Manufacturer declaration". For all articles with EFUP-E, no China RoHS declaration table issued and required.

EU REACH SVHC

REACH candidate substance (CAS No.)	No substance above 0.1 wt%
-------------------------------------	----------------------------

Phoenix Contact 2026 © - all rights reserved

<https://www.phoenixcontact.com>

Phoenix Contact USA
586 Fulling Mill Road
Middletown, PA 17057, United States
(+717) 944-1300
info@phoenixcon.com