

QPD W 4X2,5 M25 FC GY - Panel feed-through



1582351

<https://www.phoenixcontact.com/us/products/1582351>

Please be informed that the data shown in this PDF document is generated from our online catalog. Please find the complete data in the user documentation. Our general terms of use for downloads are valid.



Panel feed-through, connection method: Spade connection, M25, Pin, 1 mm² ... 2.5 mm², 690 V, 20 A, PA, gray, without QUICKON nut, coding: coded, external cable diameter: 6 mm ... 10 mm, 2.5 mm²

Commercial data

Item number	1582351
Packing unit	1 pc
Note	Made to order (non-returnable)
Sales key	BF50
Product key	AF6ABB
GTIN	4046356463515
Weight per piece (including packing)	26.755 g
Weight per piece (excluding packing)	21.3 g
Customs tariff number	85366990
Country of origin	DE

QPD W 4X2,5 M25 FC GY - Panel feed-through



1582351

<https://www.phoenixcontact.com/us/products/1582351>

Technical data

Product properties

Product type	Panel feed-through
Product family	QPD
Type	QPD 4x2,5
Number of positions	4
Position marking	1, 2, 3, 4
Number of connections	10
Number of connections per position	1
Coding	coded

Insulation characteristics

Overvoltage category	III
Degree of pollution	3

Connection data

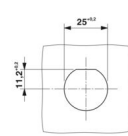
Connection technology

Connection method On the device side	Spade connection
Frequency of connections between conductors of the same cross section	max. 10

Conductor connection

Conductor cross-section flexibel	1 mm ² ... 2.5 mm ²
Conductor cross-section solid	1 mm ² ... 2.5 mm ²
Connection cross section AWG	16 ... 14
Tightening torque Union nut	5 Nm
Tightening torque Locking nut	5 Nm
Wrench size Union nut	22 mm
Wrench size Locking nut	27 mm

Dimensions

Dimensional drawing	
Width	29.6 mm
Height	29.6 mm
Length	51.4 mm
Diameter	29.6 mm
Wrench size	27 mm
Wrench size for mounting	27 mm
Dimensions of slip-on connection	4.8 x 0.8 mm

QPD W 4X2,5 M25 FC GY - Panel feed-through



1582351

<https://www.phoenixcontact.com/us/products/1582351>

Electrical properties

Rated surge voltage (II/2)	8 kV
Rated surge voltage (III/2)	8 kV
Rated surge voltage (III/3)	6 kV
Rated current	20 A
Contact resistance	< 3 mΩ
rated voltage (II/2)	1000 V
rated voltage (III/2)	1000 V
Rated voltage (III/3)	690 V (With insulating sleeve PT/FS 4,8, 1670497 without insulating sleeve 250 V.)
Nominal voltage U_N	690 V
Nominal current I_N	20 A

Mechanical properties

Mechanical data

Insertion/withdrawal cycles	max. 50
-----------------------------	---------

Material specifications

Material Housing	PA
Material Contact	CuZn
Material Contact surface	silver-plated
Flammability rating according to UL 94	V0
Material wire insulation	PVC/PE/TPE/rubber

Cable/line

Structure of individual litz in acc. with VDE 0295 / smallest wire diameter	VDE 0295 class 1 to 6/min. 0.15 mm
External cable diameter	6 mm ... 10 mm (Order Quickon nuts or Quickon connectors separately)
Wire diameter including insulation	2 mm ... 3.8 mm
Position marking	1, 2, 3, 4
Cable cross section	2.5 mm ²
Material wire insulation	PVC/PE/TPE/rubber

Mounting

Mounting type	Front mounting M25
---------------	--------------------

Environmental and real-life conditions

Ambient conditions

Degree of protection	IP66
	IP68 (2 m / 24 h)
	IP69K
Impact strength	IK07
Ambient temperature (operation)	-40 °C ... 100 °C

QPD W 4X2,5 M25 FC GY - Panel feed-through



1582351

<https://www.phoenixcontact.com/us/products/1582351>

Temperature when conductor connected	-5 °C ... 50 °C
Ambient temperature (storage/transport)	-40 °C ... 100 °C

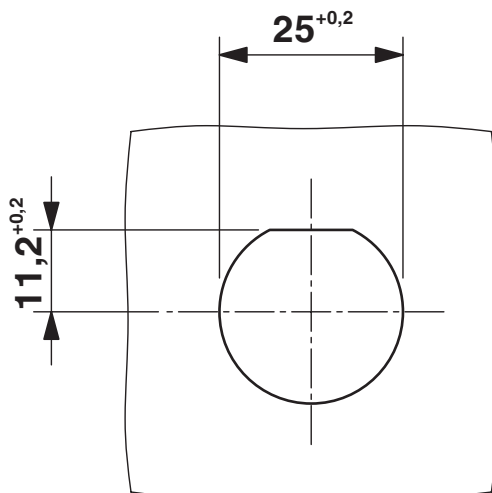
QPD W 4X2,5 M25 FC GY - Panel feed-through

1582351

<https://www.phoenixcontact.com/us/products/1582351>

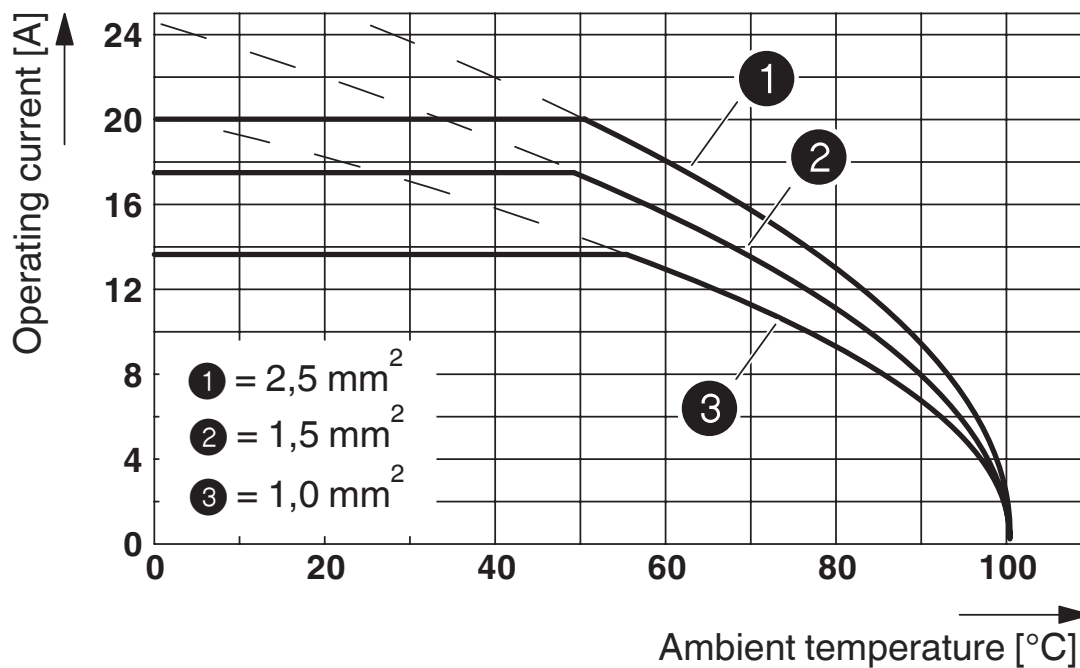
Drawings

Dimensional drawing



Panel cutout

Diagram



QPD W 4X2,5 M25 FC GY - Panel feed-through



1582351

<https://www.phoenixcontact.com/us/products/1582351>

Classifications

ECLASS

ECLASS-13.0	27440602
ECLASS-15.0	27440602

UNSPSC

UNSPSC 21.0	39121522
-------------	----------

QPD W 4X2,5 M25 FC GY - Panel feed-through



1582351

<https://www.phoenixcontact.com/us/products/1582351>

Environmental product compliance

EU RoHS

Fulfills EU RoHS substance requirements	Yes, No exemptions
---	--------------------

China RoHS

Environment friendly use period (EFUP)	EFUP-E
	No hazardous substances above the limits

EU REACH SVHC

REACH candidate substance (CAS No.)	No substance above 0.1 wt%
-------------------------------------	----------------------------

Phoenix Contact 2026 © - all rights reserved
<https://www.phoenixcontact.com>

Phoenix Contact USA
586 Fulling Mill Road
Middletown, PA 17057, United States
(+717) 944-1300
info@phoenixcon.com