

# QPD W 4X2,5 6-10 M25 0,5 GY - Panel feed-through



1582281

<https://www.phoenixcontact.com/us/products/1582281>

Please be informed that the data shown in this PDF document is generated from our online catalog. Please find the complete data in the user documentation. Our general terms of use for downloads are valid.



Panel feed-through, connection method: Single wires, M25, Pin, 1 mm<sup>2</sup> ... 2.5 mm<sup>2</sup>, 690 V, 20 A, PA, gray, with QUICKON nut, coding: coded, external cable diameter: 6 mm ... 10 mm and 6 mm ... 10 mm, 2.5 mm<sup>2</sup>, cable length: 0.5 m

## Commercial data

Item number	1582281
Packing unit	1 pc
Note	Made to order (non-returnable)
Sales key	BF50
Product key	AF6ABB
GTIN	4046356463423
Weight per piece (including packing)	103.8 g
Weight per piece (excluding packing)	102.4 g
Customs tariff number	85444290
Country of origin	DE

# QPD W 4X2,5 6-10 M25 0,5 GY - Panel feed-through



1582281

<https://www.phoenixcontact.com/us/products/1582281>

## Technical data

### Product properties

Product type	Panel feed-through
Product family	QPD
Type	QPD 4x2,5
Number of positions	4
Position marking	1, 2, 3, 4
Number of connections	10
Number of connections per position	1
Coding	coded

### Insulation characteristics

Overvoltage category	III
Degree of pollution	3

### Connection data

#### Connection technology

Connection method On the device side	Single wires
Frequency of connections between conductors of the same cross section	max. 10

#### Conductor connection

Conductor cross-section flexibel	1 mm <sup>2</sup> ... 2.5 mm <sup>2</sup>
Conductor cross-section solid	1 mm <sup>2</sup> ... 2.5 mm <sup>2</sup>
Connection cross section AWG	16 ... 14
Tightening torque Union nut	5 Nm
Tightening torque Locking nut	5 Nm
Wrench size Union nut	22 mm
Wrench size Locking nut	27 mm

### Dimensions

Dimensional drawing	
Width	29.6 mm
Height	29.6 mm
Length	71 mm
Diameter	29.6 mm
Wrench size	22 mm
Wrench size for mounting	22 mm

### Electrical properties

# QPD W 4X2,5 6-10 M25 0,5 GY - Panel feed-through



1582281

<https://www.phoenixcontact.com/us/products/1582281>

Rated surge voltage (II/2)	8 kV
Rated surge voltage (III/2)	8 kV
Rated surge voltage (III/3)	6 kV
Rated current	20 A
Contact resistance	< 3 mΩ
rated voltage (II/2)	1000 V
rated voltage (III/2)	1000 V
Rated voltage (III/3)	690 V
Nominal voltage $U_N$	690 V
Nominal current $I_N$	20 A

## Mechanical properties

### Mechanical data

Insertion/withdrawal cycles	max. 50
-----------------------------	---------

## Material specifications

Material Housing	PA
Material Contact	CuZn
Material Contact surface	silver-plated
Flammability rating according to UL 94	V0
Material wire insulation	PVC/PE/TPE/rubber

## Cable/line

Cable length	0.5 m
Structure of individual litz in acc. with VDE 0295 / smallest wire diameter	VDE 0295 class 1 to 6/min. 0.15 mm
External cable diameter	6 mm ... 10 mm
	6 mm ... 10 mm
Wire diameter including insulation	2 mm ... 3.8 mm
Position marking	1, 2, 3, 4
Cable cross section	2.5 mm <sup>2</sup>
Material wire insulation	PVC/PE/TPE/rubber

## Mounting

Mounting type	Front mounting M25
---------------	--------------------

## Environmental and real-life conditions

### Ambient conditions

Degree of protection	IP66
	IP68 (2 m / 24 h)
	IP69K
Impact strength	IK07
Ambient temperature (operation)	-40 °C ... 100 °C
Temperature when conductor connected	-5 °C ... 50 °C

# QPD W 4X2,5 6-10 M25 0,5 GY - Panel feed-through



1582281

<https://www.phoenixcontact.com/us/products/1582281>

Ambient temperature (storage/transport)

-40 °C ... 100 °C

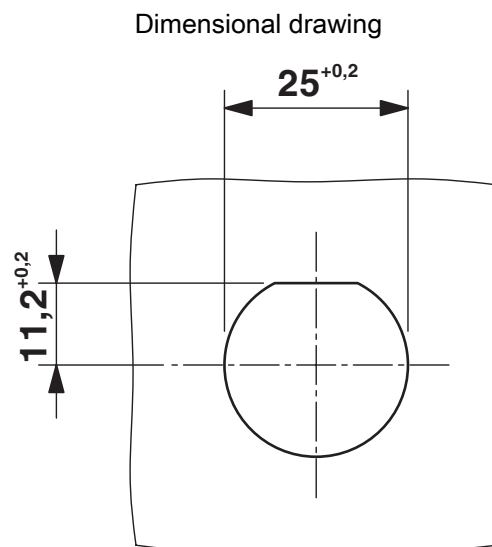
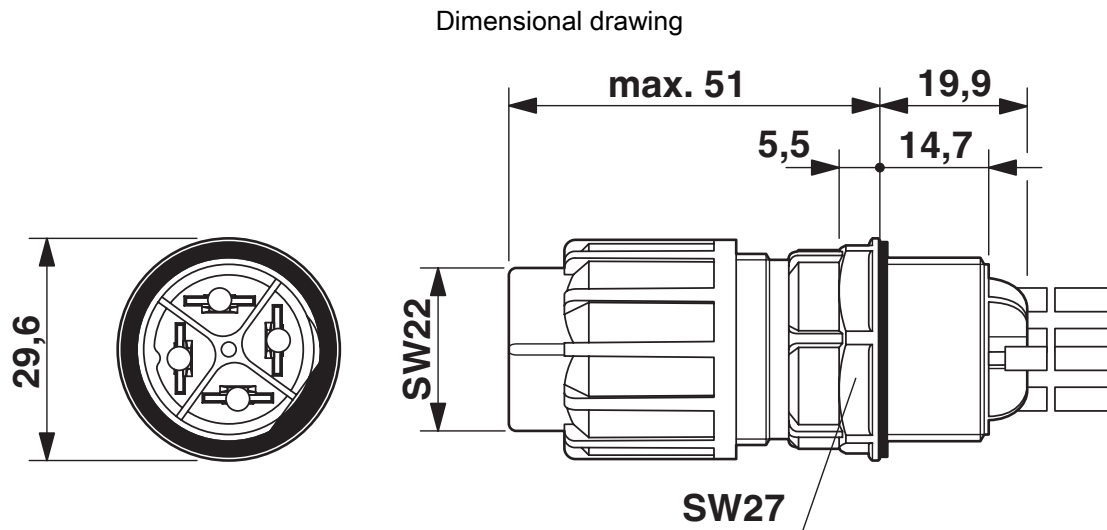
# QPD W 4X2,5 6-10 M25 0,5 GY - Panel feed-through



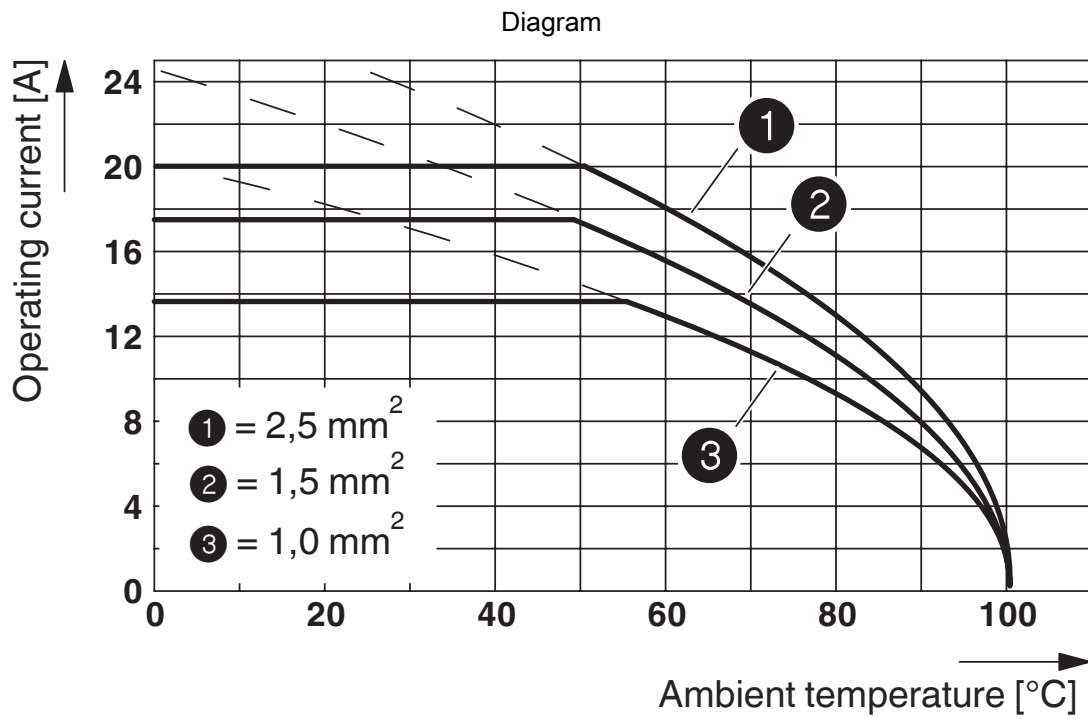
1582281

<https://www.phoenixcontact.com/us/products/1582281>

## Drawings



Panel cutout



# QPD W 4X2,5 6-10 M25 0,5 GY - Panel feed-through



1582281

<https://www.phoenixcontact.com/us/products/1582281>

## Classifications

### ECLASS

ECLASS-13.0	27440602
ECLASS-15.0	27440602

### UNSPSC

UNSPSC 21.0	39121522
-------------	----------

# QPD W 4X2,5 6-10 M25 0,5 GY - Panel feed-through



1582281

<https://www.phoenixcontact.com/us/products/1582281>

## Environmental product compliance

### EU RoHS

Fulfills EU RoHS substance requirements	Yes, No exemptions
-----------------------------------------	--------------------

### China RoHS

Environment friendly use period (EFUP)	EFUP-50
	An article-related China RoHS declaration table can be found in the download area for the respective article under "Manufacturer declaration". For all articles with EFUP-E, no China RoHS declaration table issued and required.

### EU REACH SVHC

REACH candidate substance (CAS No.)	No substance above 0.1 wt%
-------------------------------------	----------------------------

Phoenix Contact 2026 © - all rights reserved

<https://www.phoenixcontact.com>

Phoenix Contact USA  
586 Fulling Mill Road  
Middletown, PA 17057, United States  
(+717) 944-1300  
[info@phoenixcon.com](mailto:info@phoenixcon.com)