

QPD W 4X2,5 6-10 M25 1,0 GY - Panel feed-through



1582274

<https://www.phoenixcontact.com/us/products/1582274>

Please be informed that the data shown in this PDF document is generated from our online catalog. Please find the complete data in the user documentation. Our general terms of use for downloads are valid.



Panel feed-through, connection method: Single wires, M25, Pin, 1 mm² ... 2.5 mm², 690 V, 20 A, PA, gray, with QUICKON nut, coding: coded, external cable diameter: 6 mm ... 10 mm and 6 mm ... 10 mm, 2.5 mm², cable length: 1 m

Commercial data

| | |
|--------------------------------------|--------------------------------|
| Item number | 1582274 |
| Packing unit | 1 pc |
| Note | Made to order (non-returnable) |
| Sales key | BF50 |
| Product key | AF6ABB |
| GTIN | 4046356463416 |
| Weight per piece (including packing) | 164.6 g |
| Weight per piece (excluding packing) | 162.4 g |
| Customs tariff number | 85366990 |
| Country of origin | DE |

QPD W 4X2,5 6-10 M25 1,0 GY - Panel feed-through



1582274

<https://www.phoenixcontact.com/us/products/1582274>

Technical data

Product properties

| | |
|------------------------------------|--------------------|
| Product type | Panel feed-through |
| Product family | QPD |
| Type | QPD 4x2,5 |
| Number of positions | 4 |
| Position marking | 1, 2, 3, 4 |
| Number of connections | 10 |
| Number of connections per position | 1 |
| Coding | coded |

Insulation characteristics

| | |
|----------------------|-----|
| Overvoltage category | III |
| Degree of pollution | 3 |

Connection data

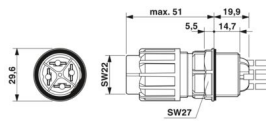
Connection technology

| | |
|---|--------------|
| Connection method On the device side | Single wires |
| Frequency of connections between conductors of the same cross section | max. 10 |

Conductor connection

| | |
|----------------------------------|---|
| Conductor cross-section flexibel | 1 mm ² ... 2.5 mm ² |
| Conductor cross-section solid | 1 mm ² ... 2.5 mm ² |
| Connection cross section AWG | 16 ... 14 |
| Tightening torque Union nut | 5 Nm |
| Tightening torque Locking nut | 5 Nm |
| Wrench size Union nut | 22 mm |
| Wrench size Locking nut | 27 mm |

Dimensions

| | |
|---------------------|--|
| Dimensional drawing |  |
| Width | 29.6 mm |
| Height | 29.6 mm |
| Length | 71 mm |
| Diameter | 29.6 mm |

Electrical properties

| | |
|-----------------------------|------|
| Rated surge voltage (II/2) | 8 kV |
| Rated surge voltage (III/2) | 8 kV |

QPD W 4X2,5 6-10 M25 1,0 GY - Panel feed-through



1582274

<https://www.phoenixcontact.com/us/products/1582274>

| | |
|-----------------------------|--------|
| Rated surge voltage (III/3) | 6 kV |
| Rated current | 20 A |
| Contact resistance | < 3 mΩ |
| rated voltage (II/2) | 1000 V |
| rated voltage (III/2) | 1000 V |
| Rated voltage (III/3) | 690 V |
| Nominal voltage U_N | 690 V |
| Nominal current I_N | 20 A |

Mechanical properties

Mechanical data

| | |
|-----------------------------|---------|
| Insertion/withdrawal cycles | max. 50 |
|-----------------------------|---------|

Material specifications

| | |
|--|-------------------|
| Material Housing | PA |
| Material Contact | CuZn |
| Material Contact surface | silver-plated |
| Flammability rating according to UL 94 | V0 |
| Material wire insulation | PVC/PE/TPE/rubber |

Cable/line

| | |
|---|------------------------------------|
| Cable length | 1 m |
| Structure of individual litz in acc. with VDE 0295 / smallest wire diameter | VDE 0295 class 1 to 6/min. 0.15 mm |
| External cable diameter | 6 mm ... 10 mm |
| | 6 mm ... 10 mm |
| Wire diameter including insulation | 2 mm ... 3.8 mm |
| Position marking | 1, 2, 3, 4 |
| Cable cross section | 2.5 mm ² |
| Material wire insulation | PVC/PE/TPE/rubber |

Mounting

| | |
|---------------|--------------------|
| Mounting type | Front mounting M25 |
|---------------|--------------------|

Environmental and real-life conditions

Ambient conditions

| | |
|---|-------------------|
| Degree of protection | IP66 |
| | IP68 (2 m / 24 h) |
| | IP69K |
| Impact strength | IK07 |
| Ambient temperature (operation) | -40 °C ... 100 °C |
| Temperature when conductor connected | -5 °C ... 50 °C |
| Ambient temperature (storage/transport) | -40 °C ... 100 °C |

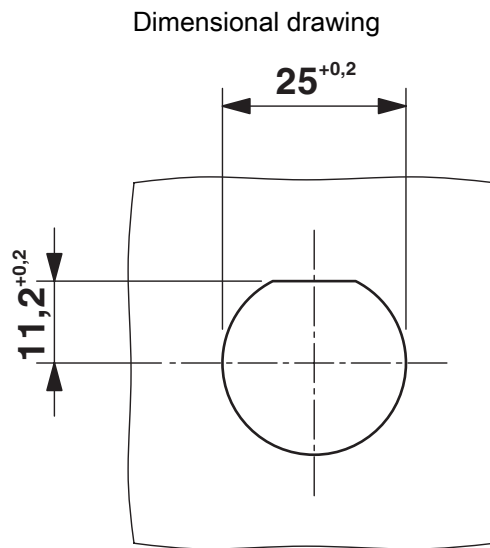
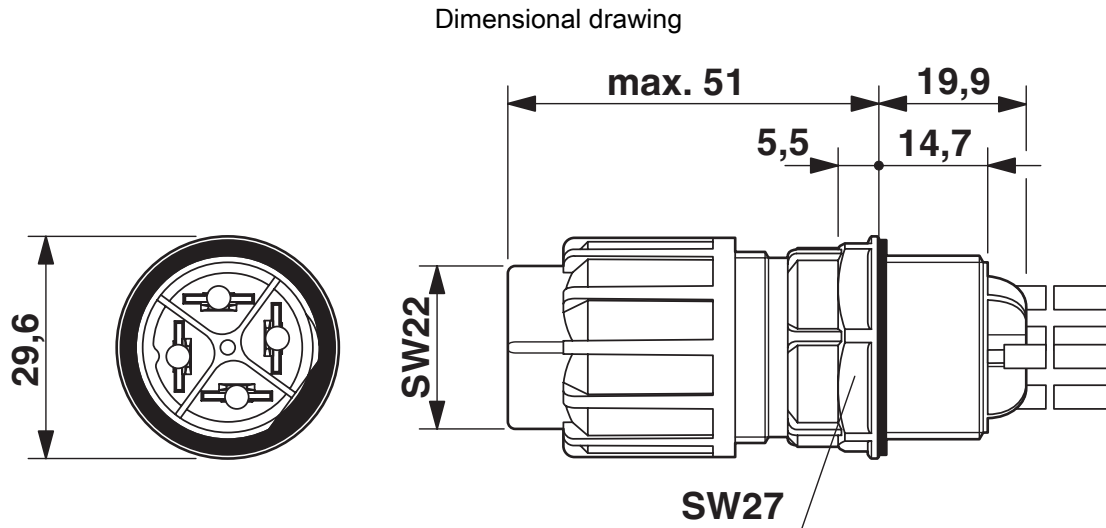
QPD W 4X2,5 6-10 M25 1,0 GY - Panel feed-through



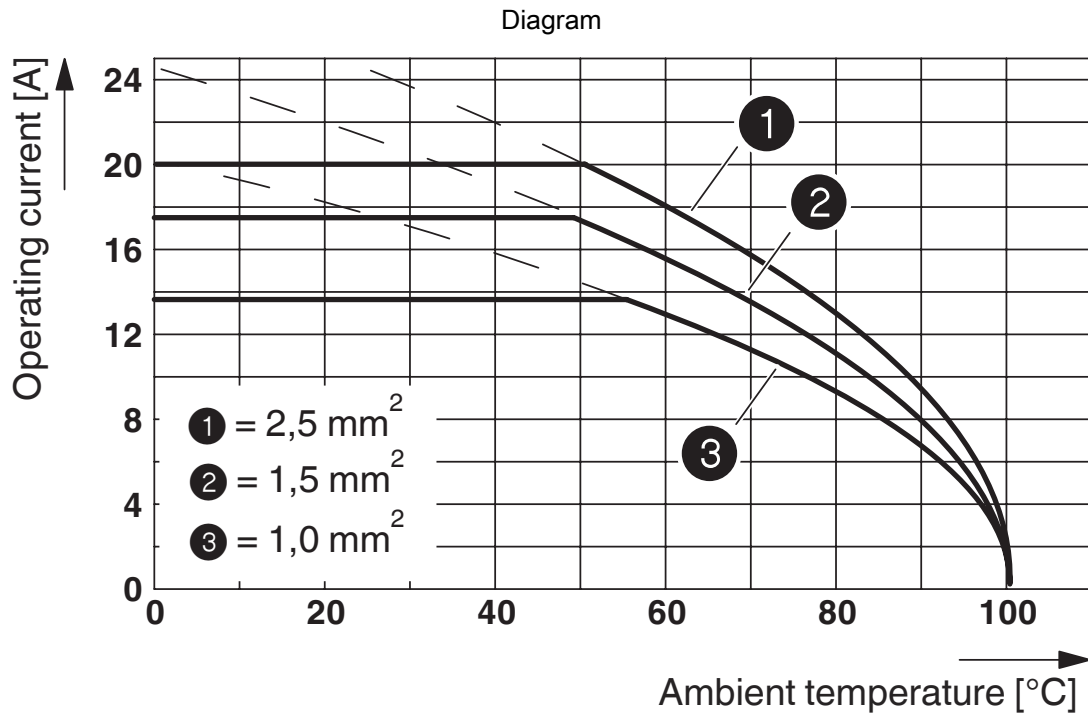
1582274

<https://www.phoenixcontact.com/us/products/1582274>

Drawings



Panel cutout



QPD W 4X2,5 6-10 M25 1,0 GY - Panel feed-through



1582274

<https://www.phoenixcontact.com/us/products/1582274>

Classifications

ECLASS

| | |
|-------------|----------|
| ECLASS-13.0 | 27440602 |
| ECLASS-15.0 | 27440602 |

UNSPSC

| | |
|-------------|----------|
| UNSPSC 21.0 | 39121522 |
|-------------|----------|

QPD W 4X2,5 6-10 M25 1,0 GY - Panel feed-through



1582274

<https://www.phoenixcontact.com/us/products/1582274>

Environmental product compliance

EU RoHS

| | |
|---|--------------------|
| Fulfills EU RoHS substance requirements | Yes, No exemptions |
|---|--------------------|

China RoHS

| | |
|--|---|
| Environment friendly use period (EFUP) | EFUP-50 |
| | An article-related China RoHS declaration table can be found in the download area for the respective article under "Manufacturer declaration". For all articles with EFUP-E, no China RoHS declaration table issued and required. |

EU REACH SVHC

| | |
|-------------------------------------|----------------------------|
| REACH candidate substance (CAS No.) | No substance above 0.1 wt% |
|-------------------------------------|----------------------------|

Phoenix Contact 2026 © - all rights reserved

<https://www.phoenixcontact.com>

Phoenix Contact USA
586 Fulling Mill Road
Middletown, PA 17057, United States
(+717) 944-1300
info@phoenixcon.com