

HC-B 32-TMS-100-EEE - Housing



1580546

<https://www.phoenixcontact.com/us/products/1580546>

Please be informed that the data shown in this PDF document is generated from our online catalog. Please find the complete data in the user documentation. Our general terms of use for downloads are valid.



Commercial data

Item number	1580546
Packing unit	6 pc
Minimum order quantity	1 pc
Product key	AF7AAA
GTIN	4046356547284
Weight per piece (including packing)	648.3 g
Weight per piece (excluding packing)	648.3 g
Country of origin	DE

HC-B 32-TMS-100-EEE - Housing



1580546

<https://www.phoenixcontact.com/us/products/1580546>

Technical data

Product properties

Product type	Housing with screw locking
Fixing screws	M6 (screw head: 5 mm Allen screw)

Connection data

Tightening torque	3 Nm (Locking screw)
-------------------	----------------------

Material specifications

Seal material	NBR, conductive
Housing material	Die-cast aluminum, salt water resistant
Housing surface material	uncoated
Locking latch material	Stainless steel

Environmental and real-life conditions

Ambient conditions

Degree of protection	IP66
	IP68 (0.2 bar/24 h)
	IP69K
Enclosure rating (NEMA)	4X (NEMA 250)
	6P (NEMA 250)
	NEMA 250
Ambient temperature (operation)	-40 °C ... 125 °C

Mounting

Assembly note	Tightening torque of locking screw: 3 Nm
	To ensure optimum shielding, any insulating power coating must be removed from the profile gasket area on the control cabinet panel. Tightening torque of locking screw: 3 Nm.
Fixing screws	M6 (screw head: 5 mm Allen screw)

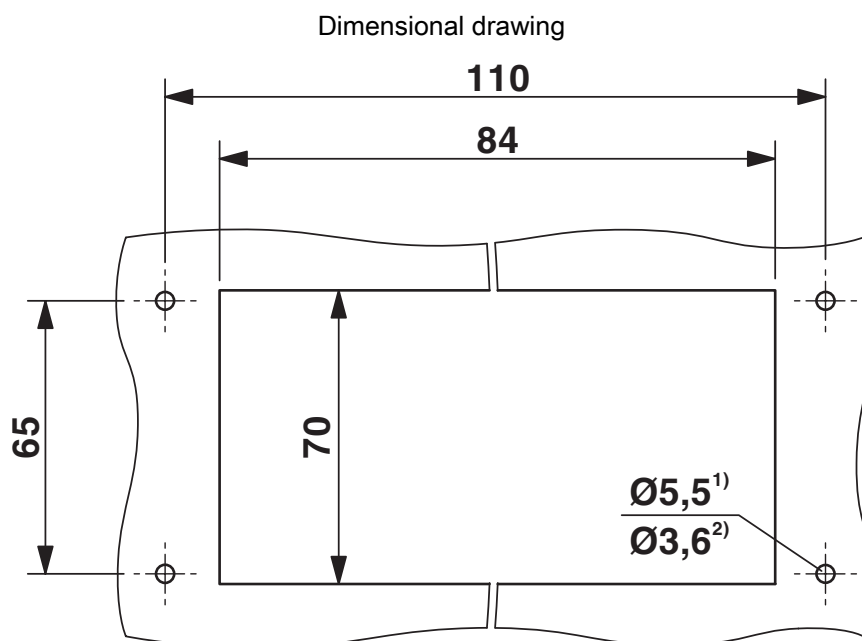
HC-B 32-TMS-100-EEE - Housing



1580546

<https://www.phoenixcontact.com/us/products/1580546>

Drawings



Mounting cutout

1) Standard M5 screw

2) Self-tapping (Torx® 20, M4)

HC-B 32-TMS-100-EEE - Housing



1580546

<https://www.phoenixcontact.com/us/products/1580546>

Classifications

ECLASS

ECLASS-13.0	27440202
ECLASS-15.0	27440202

HC-B 32-TMS-100-EEE - Housing



1580546

<https://www.phoenixcontact.com/us/products/1580546>

Environmental product compliance

EU REACH SVHC

REACH candidate substance (CAS No.)	No substance above 0.1 wt%
-------------------------------------	----------------------------

Phoenix Contact 2026 © - all rights reserved

<https://www.phoenixcontact.com>

Phoenix Contact USA
586 Fulling Mill Road
Middletown, PA 17057, United States
(+717) 944-1300
info@phoenixcon.com