

HC-B 32-AFS-72-O1M25-EEE - Housing



1580545

<https://www.phoenixcontact.com/us/products/1580545>

Please be informed that the data shown in this PDF document is generated from our online catalog. Please find the complete data in the user documentation. Our general terms of use for downloads are valid.



HEAVYCON ADVANCE B32 panel mounting base, for increased environmental requirements, EMC conductive, for Allen screw locking, with additional M25 gland

Commercial data

Item number	1580545
Packing unit	100 pc
Minimum order quantity	1 pc
Product key	AF7AAA
GTIN	4046356547277
Weight per piece (including packing)	841.6 g
Weight per piece (excluding packing)	841.6 g
Country of origin	DE

HC-B 32-AFS-72-O1M25-EEE - Housing



1580545

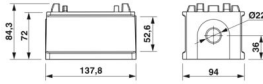
<https://www.phoenixcontact.com/us/products/1580545>

Technical data

Product properties

Product type	Housing with screw locking
Housing type	Panel mounting base
Application	Standard
Type	B32
Fixing screws	M6 (5 mm Allen screw)
Shielded	yes
Cable outlet	lateral
Pg screw connection	none

Dimensions

Dimensional drawing	
Width	94 mm
Height	84.3 mm
Length	137.8 mm

Material specifications

Seal material	NBR, conductive
Housing material	Die-cast aluminum
Housing surface material	uncoated

Environmental and real-life conditions

Ambient conditions

Degree of protection	IP66 IP68 (0.2 bar/24 h) IP69K
Enclosure rating (NEMA)	4 4X 6P 12
Ambient temperature (operation)	-40 °C ... 125 °C

Mechanical properties

Mechanical data

Locking type	Nut
--------------	-----

Mounting

HC-B 32-AFS-72-O1M25-EEE - Housing



1580545

<https://www.phoenixcontact.com/us/products/1580545>

Fixing screws	M6 (5 mm Allen screw)
---------------	-----------------------

HC-B 32-AFS-72-O1M25-EEE - Housing

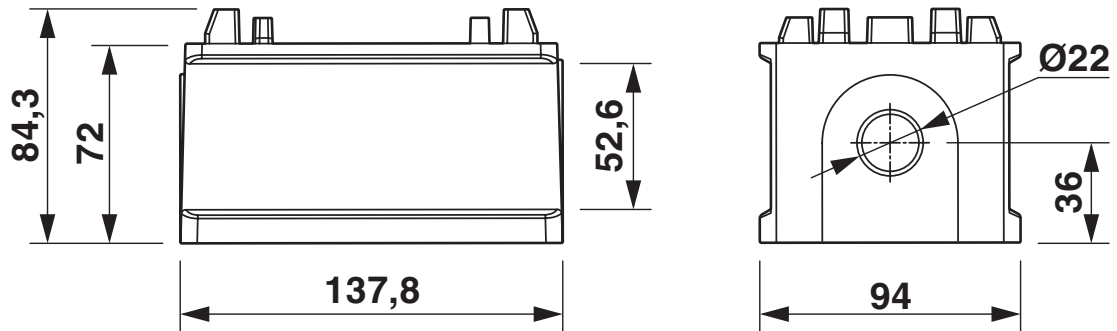


1580545

<https://www.phoenixcontact.com/us/products/1580545>

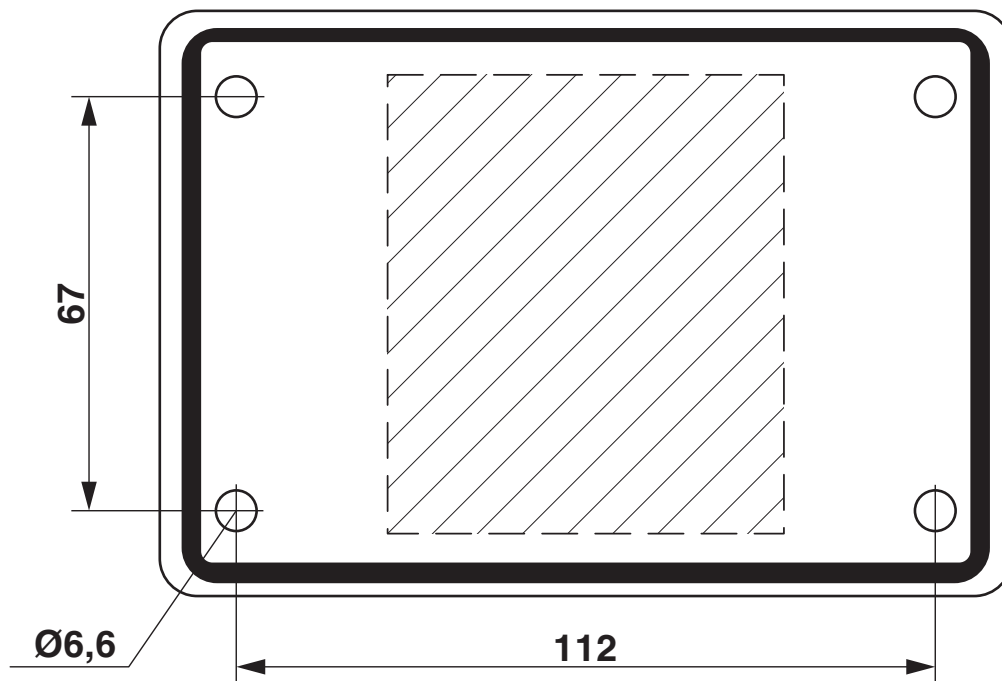
Drawings

Dimensional drawing



Dimensional drawing

Dimensional drawing



Fixing holes

HC-B 32-AFS-72-O1M25-EEE - Housing



1580545

<https://www.phoenixcontact.com/us/products/1580545>

Classifications

ECLASS

ECLASS-13.0	27440202
ECLASS-15.0	27440202

HC-B 32-AFS-72-O1M25-EEE - Housing



1580545

<https://www.phoenixcontact.com/us/products/1580545>

Environmental product compliance

EU REACH SVHC

REACH candidate substance (CAS No.)	No substance above 0.1 wt%
-------------------------------------	----------------------------

Phoenix Contact 2026 © - all rights reserved

<https://www.phoenixcontact.com>

Phoenix Contact USA
586 Fulling Mill Road
Middletown, PA 17057, United States
(+717) 944-1300
info@phoenixcon.com