

# HC-B 32-SFS-72-O1M50-EEE - Housing



1580530

<https://www.phoenixcontact.com/us/products/1580530>

Please be informed that the data shown in this PDF document is generated from our online catalog. Please find the complete data in the user documentation. Our general terms of use for downloads are valid.



HEAVYCON-ADVANCE pedestal enclosure B32, for increased environmental requirements, EMC-conductive, with Allen wrench screw locking, with 1x M50x1.5 cable outlet

## Commercial data

Item number	1580530
Packing unit	6 pc
Minimum order quantity	1 pc
Product key	AF7AAA
GTIN	4046356463263
Weight per piece (including packing)	793 g
Weight per piece (excluding packing)	793 g
Country of origin	DE

# HC-B 32-SFS-72-O1M50-EEE - Housing



1580530

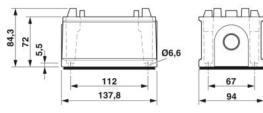
<https://www.phoenixcontact.com/us/products/1580530>

## Technical data

### Product properties

Product type	Housing with screw locking
Housing type	Surface mounting housing
Type	B32
No. of cable outlets	1
Type of the screw connection	1x M50
Fixing screws	M6 (5 mm Allen screw)
Shielded	yes
Cable outlet	lateral
Pg screw connection	none

### Dimensions

Dimensional drawing	
Width	94 mm
Height	72 mm
Length	138 mm

### Material specifications

Seal material	NBR, conductive
Housing material	Die-cast aluminum, salt water resistant
Housing surface material	uncoated

### Environmental and real-life conditions

#### Ambient conditions

Degree of protection	IP66 IP68 (0.2 bar/24 h) IP69K
Enclosure rating (NEMA)	4 4X 6P 12
Ambient temperature (operation)	-40 °C ... 125 °C

### Mechanical properties

#### Mechanical data

Type of the screw connection	1x M50
Locking type	Nut

# HC-B 32-SFS-72-O1M50-EEE - Housing



1580530

<https://www.phoenixcontact.com/us/products/1580530>

## Mounting

Fixing screws

M6 (5 mm Allen screw)

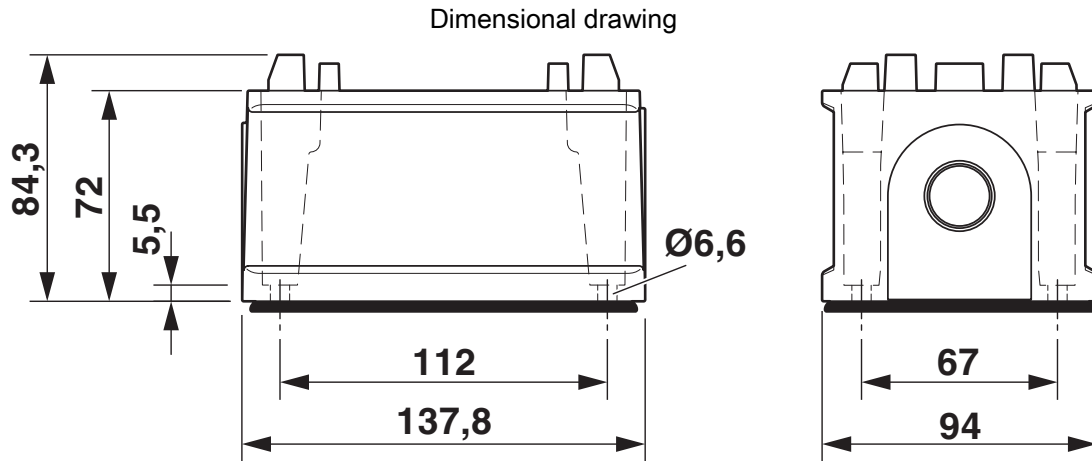
# HC-B 32-SFS-72-O1M50-EEE - Housing



1580530

<https://www.phoenixcontact.com/us/products/1580530>

## Drawings



Dimensional drawing

# HC-B 32-SFS-72-O1M50-EEE - Housing



1580530

<https://www.phoenixcontact.com/us/products/1580530>

## Classifications

### ECLASS

ECLASS-13.0	27440202
ECLASS-15.0	27440202

# HC-B 32-SFS-72-O1M50-EEE - Housing



1580530

<https://www.phoenixcontact.com/us/products/1580530>

## Environmental product compliance

EU REACH SVHC

REACH candidate substance (CAS No.)	
-------------------------------------	--

	No substance above 0.1 wt%
--	----------------------------

Phoenix Contact 2026 © - all rights reserved

<https://www.phoenixcontact.com>

Phoenix Contact USA  
586 Fulling Mill Road  
Middletown, PA 17057, United States  
(+717) 944-1300  
[info@phoenixcon.com](mailto:info@phoenixcon.com)