

HC-B 32-SFS-72-O1M40-EEE - Housing



1580528

<https://www.phoenixcontact.com/us/products/1580528>

Please be informed that the data shown in this PDF document is generated from our online catalog. Please find the complete data in the user documentation. Our general terms of use for downloads are valid.



HEAVYCON-ADVANCE pedestal enclosure B32, for increased environmental requirements, EMC-conductive, with Allen wrench screw locking, with 1x M40x1.5 cable outlet

Commercial data

Item number	1580528
Packing unit	6 pc
Minimum order quantity	1 pc
Product key	AF7AAA
GTIN	4046356463249
Weight per piece (including packing)	884.15 g
Weight per piece (excluding packing)	884.15 g
Country of origin	DE

HC-B 32-SFS-72-O1M40-EEE - Housing



1580528

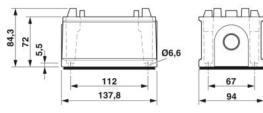
<https://www.phoenixcontact.com/us/products/1580528>

Technical data

Product properties

Product type	Housing with screw locking
Housing type	Surface mounting housing
Type	B32
No. of cable outlets	1
Type of the screw connection	1x M40
Fixing screws	M6 (5 mm Allen screw)
Shielded	yes
Cable outlet	lateral
Pg screw connection	none

Dimensions

Dimensional drawing	
Width	94 mm
Height	72 mm
Length	138 mm

Material specifications

Seal material	NBR, conductive
Housing material	Die-cast aluminum, salt water resistant
Housing surface material	uncoated

Environmental and real-life conditions

Ambient conditions

Degree of protection	IP66 IP68 (0.2 bar/24 h) IP69K
Enclosure rating (NEMA)	4 4X 6P 12
Ambient temperature (operation)	-40 °C ... 125 °C

Mechanical properties

Mechanical data

Type of the screw connection	1x M40
Locking type	Nut

HC-B 32-SFS-72-O1M40-EEE - Housing



1580528

<https://www.phoenixcontact.com/us/products/1580528>

Mounting

Fixing screws

M6 (5 mm Allen screw)

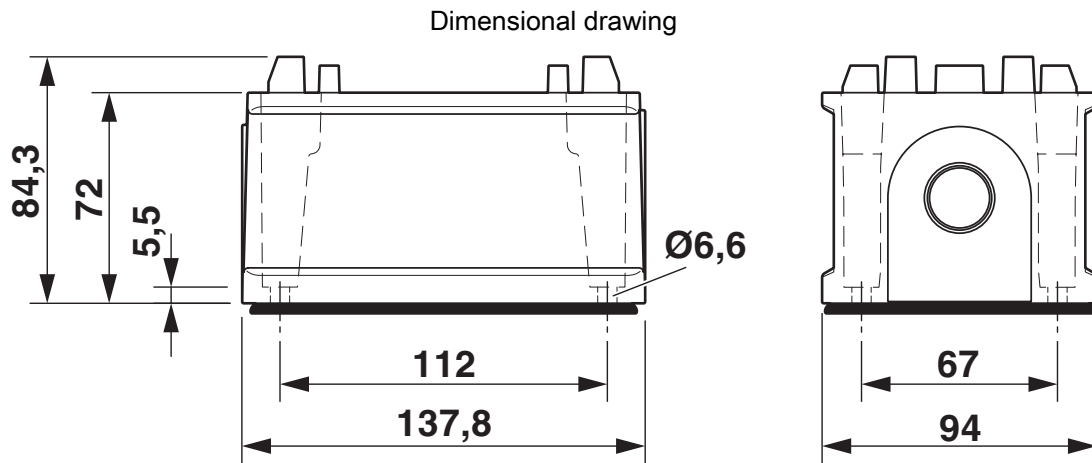
HC-B 32-SFS-72-O1M40-EEE - Housing



1580528

<https://www.phoenixcontact.com/us/products/1580528>

Drawings



Dimensional drawing

HC-B 32-SFS-72-O1M40-EEE - Housing



1580528

<https://www.phoenixcontact.com/us/products/1580528>

Classifications

ECLASS

ECLASS-13.0	27440202
ECLASS-15.0	27440202

HC-B 32-SFS-72-O1M40-EEE - Housing



1580528

<https://www.phoenixcontact.com/us/products/1580528>

Environmental product compliance

EU REACH SVHC

REACH candidate substance (CAS No.)	No substance above 0.1 wt%
-------------------------------------	----------------------------

Phoenix Contact 2026 © - all rights reserved

<https://www.phoenixcontact.com>

Phoenix Contact USA
586 Fulling Mill Road
Middletown, PA 17057, United States
(+717) 944-1300
info@phoenixcon.com