

# HC-B 32-AFS-72-EEE - Housing



1580525

<https://www.phoenixcontact.com/us/products/1580525>

Please be informed that the data shown in this PDF document is generated from our online catalog. Please find the complete data in the user documentation. Our general terms of use for downloads are valid.



HEAVYCON ADVANCE panel mounting base for B32 motor housing, for increased environmental requirements, EMC conductive, for Allen screw locking

## Commercial data

Item number	1580525
Packing unit	6 pc
Minimum order quantity	1 pc
Product key	AF7AAA
GTIN	4046356463218
Weight per piece (including packing)	839.183 g
Weight per piece (excluding packing)	839.183 g
Country of origin	DE

# HC-B 32-AFS-72-EEE - Housing

1580525

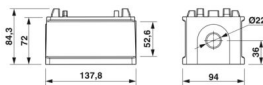
<https://www.phoenixcontact.com/us/products/1580525>

## Technical data

### Product properties

Product type	Housing with screw locking
Housing type	Panel mounting base
Application	Standard
Type	B32
Fixing screws	M6 (5 mm Allen screw)
Shielded	yes
Pg screw connection	none

### Dimensions

Dimensional drawing	
Width	94 mm
Height	84.3 mm
Length	137.8 mm

### Material specifications

Seal material	NBR, conductive
Housing material	Die-cast aluminum
Housing surface material	uncoated

### Environmental and real-life conditions

#### Ambient conditions

Degree of protection	IP66 IP68 (0.2 bar/24 h) IP69K
Enclosure rating (NEMA)	4 4X 6P 12
Ambient temperature (operation)	-40 °C ... 125 °C

### Mechanical properties

#### Mechanical data

Locking type	Nut
--------------	-----

### Mounting

Fixing screws	M6 (5 mm Allen screw)
---------------	-----------------------

# HC-B 32-AFS-72-EEE - Housing

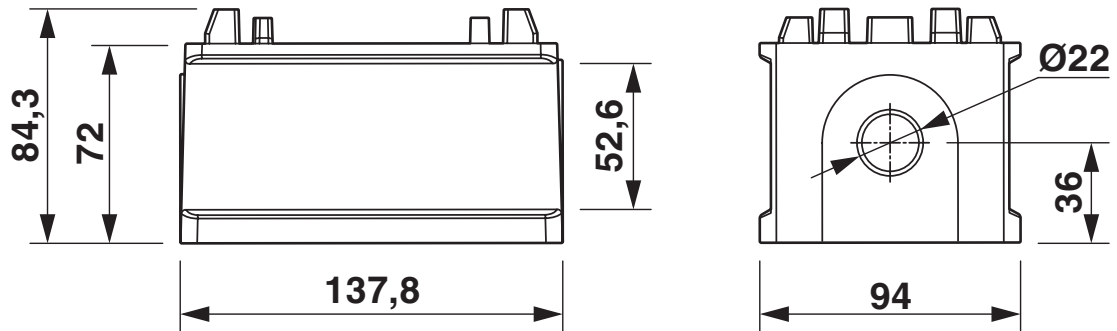


1580525

<https://www.phoenixcontact.com/us/products/1580525>

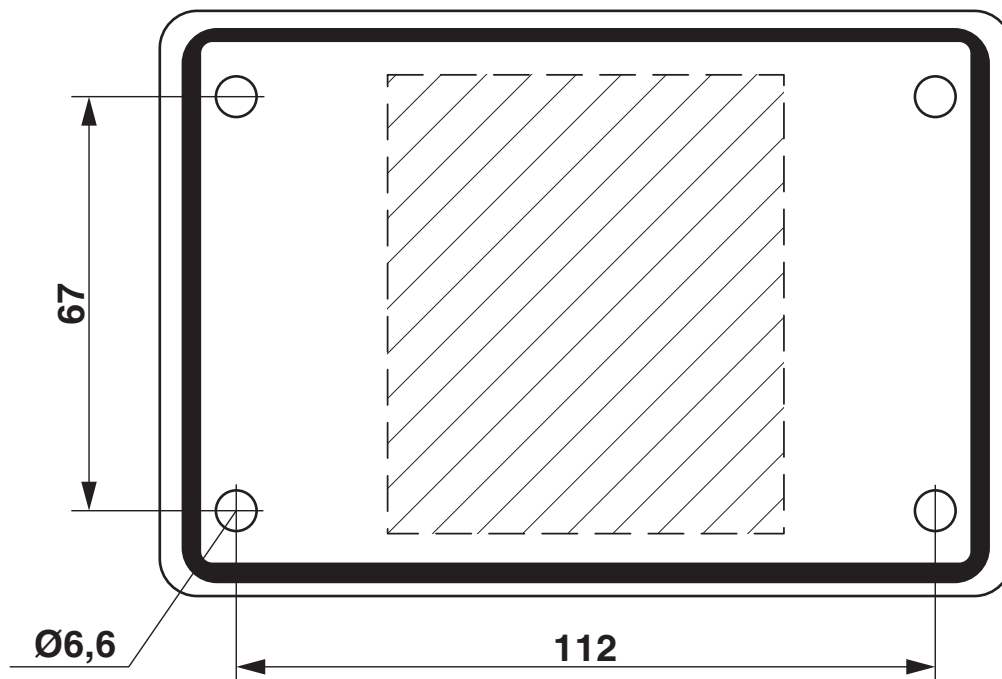
## Drawings

Dimensional drawing



Dimensional drawing

Dimensional drawing



Fixing holes

# HC-B 32-AFS-72-EEE - Housing

1580525

<https://www.phoenixcontact.com/us/products/1580525>



## Classifications

### ECLASS

ECLASS-13.0	27440202
ECLASS-15.0	27440202

# HC-B 32-AFS-72-EEE - Housing

1580525

<https://www.phoenixcontact.com/us/products/1580525>



## Environmental product compliance

EU REACH SVHC

REACH candidate substance (CAS No.)	
-------------------------------------	--

	No substance above 0.1 wt%
--	----------------------------

Phoenix Contact 2026 © - all rights reserved

<https://www.phoenixcontact.com>

Phoenix Contact USA  
586 Fulling Mill Road  
Middletown, PA 17057, United States  
(+717) 944-1300  
[info@phoenixcon.com](mailto:info@phoenixcon.com)