

HC-B 16-TMSO1STM25G/M20G-EEE - Housing



1580498

<https://www.phoenixcontact.com/us/products/1580498>

Please be informed that the data shown in this PDF document is generated from our online catalog. Please find the complete data in the user documentation. Our general terms of use for downloads are valid.



HEAVYCON ADVANCE sleeve housing B16, with high-grade steel screw locking (hexagonal socket-head), salt water resistant aluminum, height 100 mm, with thread, 1xM25 straight and M20 straight cable outlet, without surface; conductive seal (EMC properties)

Commercial data

Item number	1580498
Packing unit	10 pc
Minimum order quantity	1 pc
Note	Made to order (non-returnable)
Sales key	BF58
Product key	AF7AAA
GTIN	4046356438247
Weight per piece (including packing)	377.6 g
Weight per piece (excluding packing)	377.6 g
Customs tariff number	85369010
Country of origin	DE

HC-B 16-TMSO1STM25G/M20G-EEE - Housing



1580498

<https://www.phoenixcontact.com/us/products/1580498>

Technical data

Product properties

Product type	Housing with screw locking
Housing type	Sleeve housing
Application	Offshore/EMC
Type	B16
Type of the screw connection	1x M20 / 1x M25
Fixing screws	M6 (screw head: 5 mm Allen screw)
Cable outlet	straight

Connection data

Tightening torque	3 Nm (Locking screw)
-------------------	----------------------

Dimensions

Dimensional drawing	
Width	57 mm
Height	100 mm
Length	126 mm

Installation dimensions

Width of the assembly cutout	35 mm
Length of the assembly cutout	86 mm

Material specifications

Seal material	NBR, conductive
Housing material	Die-cast aluminum, salt water resistant
Housing surface material	uncoated
Locking latch material	Stainless steel

Environmental and real-life conditions

Ambient conditions

Degree of protection	IP66
	IP68 (0.2 bar/24 h)
	IP69
Enclosure rating (NEMA)	4 (NEMA 250)
	4X (NEMA 250)
	6P (NEMA 250)
	12 (NEMA 250)

HC-B 16-TMSO1STM25G/M20G-EEE - Housing



1580498

<https://www.phoenixcontact.com/us/products/1580498>

Ambient temperature (operation)	-40 °C ... 125 °C
---------------------------------	-------------------

Mechanical properties

Mechanical data

Type of the screw connection	1x M20 / 1x M25
------------------------------	-----------------

Mounting

Assembly note	In order to guarantee that the protective conductor contact functions even when plugged in at an angle, the two panel-mount flanges must have sufficient electrical contact with the metal mounting panel.
	To ensure optimum shielding, any insulating power coating must be removed from the profile gasket area on the control cabinet panel. Tightening torque of locking screw: 3 Nm.
Fixing screws	M6 (screw head: 5 mm Allen screw)

HC-B 16-TMSO1STM25G/M20G-EEE - Housing

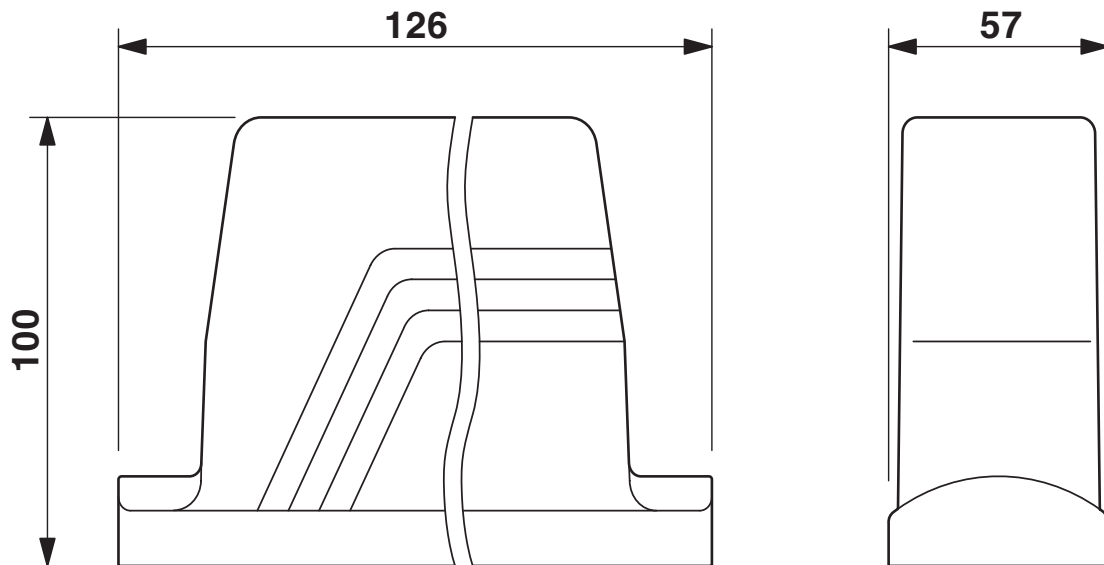


1580498

<https://www.phoenixcontact.com/us/products/1580498>

Drawings

Dimensional drawing



Dimensional drawing

Dimensional drawing



Mounting cutout

1) when M4 screws are used

2) when self-tapping Torx® screws are used (Torx® 20, M4)

HC-B 16-TMSO1STM25G/M20G-EEE - Housing



1580498

<https://www.phoenixcontact.com/us/products/1580498>

Classifications

ECLASS

ECLASS-13.0	27440202
ECLASS-15.0	27440202

UNSPSC

UNSPSC 21.0	31261500
-------------	----------

HC-B 16-TMSO1STM25G/M20G-EEE - Housing



1580498

<https://www.phoenixcontact.com/us/products/1580498>

Environmental product compliance

EU RoHS

Fulfills EU RoHS substance requirements	Yes, No exemptions
---	--------------------

China RoHS

Environment friendly use period (EFUP)	EFUP-E
	No hazardous substances above the limits

EU REACH SVHC

REACH candidate substance (CAS No.)	No substance above 0.1 wt%
-------------------------------------	----------------------------

Phoenix Contact 2026 © - all rights reserved
<https://www.phoenixcontact.com>

Phoenix Contact USA
586 Fulling Mill Road
Middletown, PA 17057, United States
(+717) 944-1300
info@phoenixcon.com