

# HC-D 64-A-TWIN-PEL-F - Terminal adapter



1580189

<https://www.phoenixcontact.com/us/products/1580189>

Please be informed that the data shown in this PDF document is generated from our online catalog. Please find the complete data in the user documentation. Our general terms of use for downloads are valid.



HEAVYCON terminal adapter female insert, D64 series, 64-pos., right PE connection for the left side of the control cabinet, push-in connection

## Your advantages

- Easy installation without tools, even when mounted, with push-in connection technology
- Shortest installation time compared to other connection technologies
- Quick and effortless wiring, in particular when space is tight
- Automatic cabling with robots possible
- Safe wiring and operation with color-coded actuators
- Shock and vibration-resistant in accordance with DIN EN 61373

## Commercial data

Item number	1580189
Packing unit	1 pc
Minimum order quantity	1 pc
Sales key	BF61
Product key	AF7ADE
GTIN	4046356154512
Weight per piece (including packing)	539.4 g
Weight per piece (excluding packing)	462.69 g
Customs tariff number	85366990
Country of origin	PL

# HC-D 64-A-TWIN-PEL-F - Terminal adapter

1580189

<https://www.phoenixcontact.com/us/products/1580189>

## Technical data

### Product properties

Product type	Terminal adapter
Product family	HC-D
Series	HC-D
Type	B24
Number of positions	64
Connection profile	64+PE

### Insulation characteristics

Overvoltage category	III
Degree of pollution	3

### Electrical properties

Rated voltage (III/3)	250 V
Rated surge voltage	4 kV
Rated current	10 A
SCCR	5 kA (UL 2237)

### Connection data

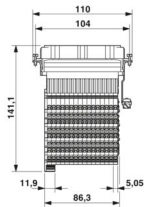
#### Connection technology

Connection technology	Push-in connection
-----------------------	--------------------

#### Conductor connection

Conductor cross-section	0.5 mm <sup>2</sup> ... 2.5 mm <sup>2</sup>
Connection cross section AWG	22 ... 12
Stripping length of the individual wire	10 mm

### Dimensions

Dimensional drawing	
Width	34 mm
Height	141.1 mm
Length	110 mm
Drill hole distance, horizontal	104 mm
Drill hole distance, vertical	27 mm

### Material specifications

# HC-D 64-A-TWIN-PEL-F - Terminal adapter



1580189

<https://www.phoenixcontact.com/us/products/1580189>

Flammability rating according to UL 94	V0
Contact material	Copper alloy
Contact surface material	Ag
Contact carrier material	PA
Standards/regulations	PA

## Cable/line

Stripping length of the individual wire	10 mm
---	-------

## Mechanical properties

### Mechanical data

Insertion/withdrawal cycles	≥ 500
-----------------------------	-------

## Environmental and real-life conditions

### Ambient conditions

Degree of protection	IP20
Ambient temperature (operation)	-40 °C ... 125 °C

## Standards and regulations

Constructional and testing regulations	DIN EN 61984
	DIN EN 60664
	IEC 60352
Tests	DIN EN 61984
	DIN EN 60664
	IEC 60352

### Testing

Standards/regulations	PA: Fire protection in rail vehicles - requirement sets R22, R23, and R24 acc. to DIN EN 45545-2 (Risk level HL1 - HL3)
-----------------------	---

## Mounting

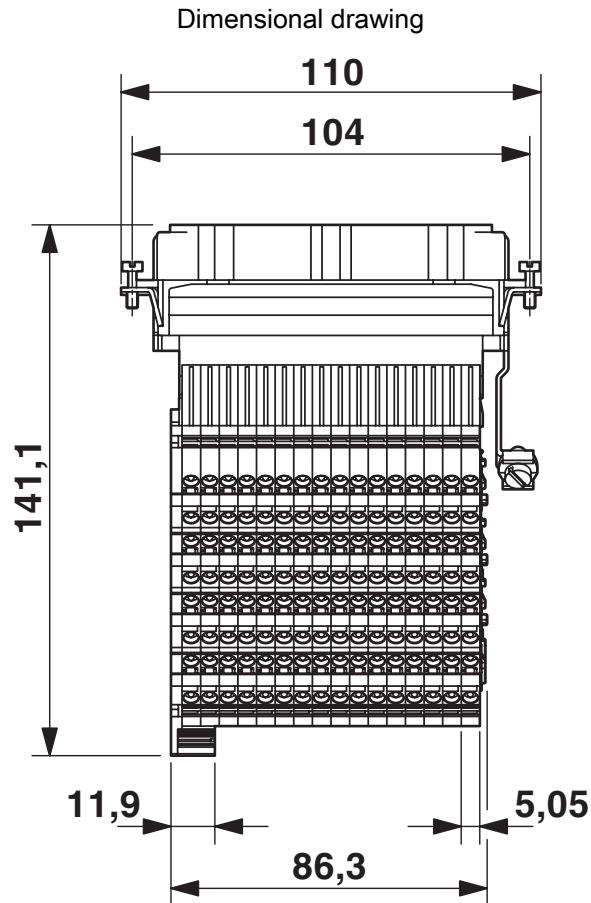
Assembly note	To ensure correct use, installation in housing with IP54 protection or better is required
	Not for HC-EVO panel mounting bases
	Not for HC-EVO panel mounting bases
	Connectors may be plugged in only when there is no load/voltage. Not for HC-B 24-AMQ-EMV housings

# HC-D 64-A-TWIN-PEL-F - Terminal adapter

1580189

<https://www.phoenixcontact.com/us/products/1580189>

## Drawings



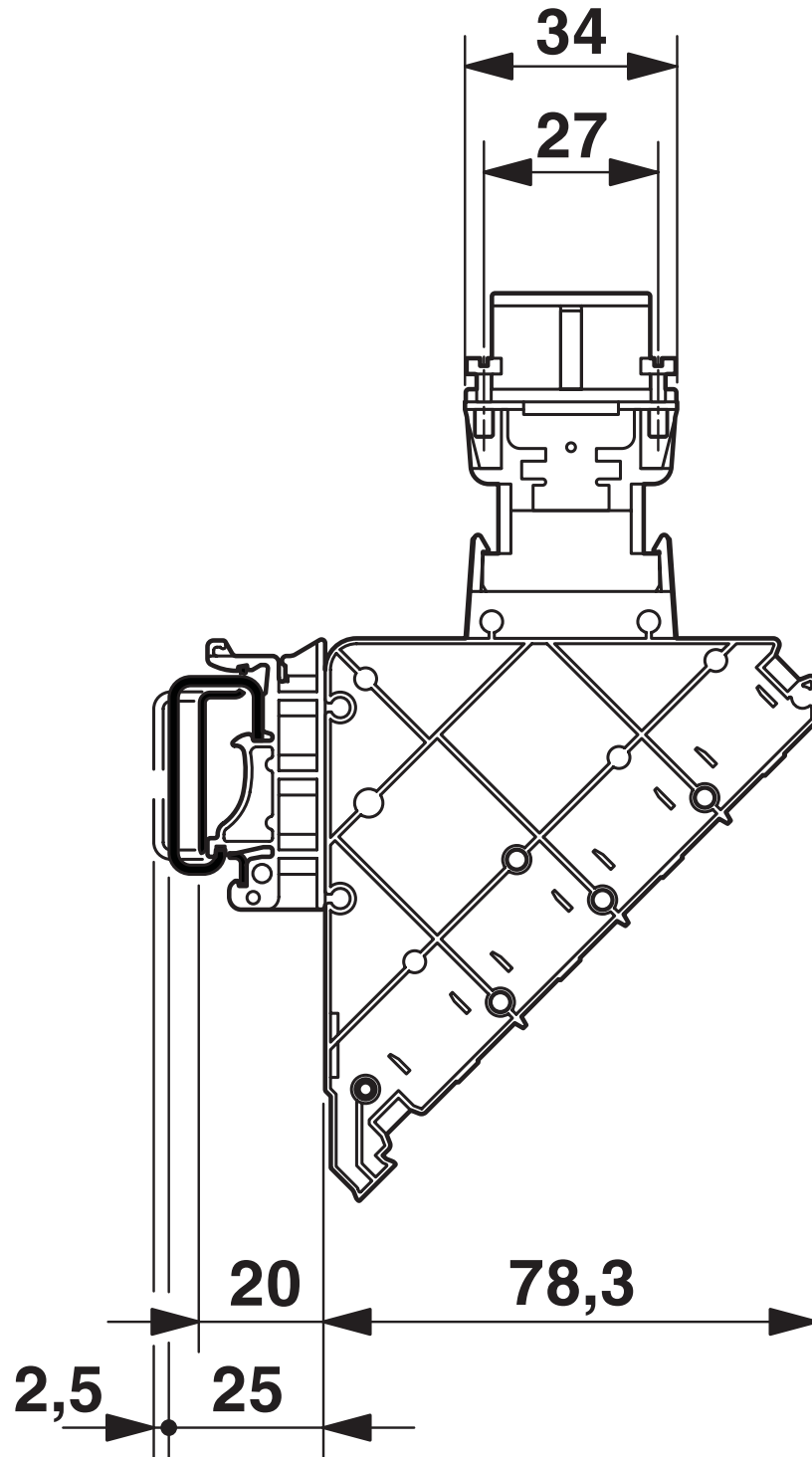
Connection side

# HC-D 64-A-TWIN-PEL-F - Terminal adapter

1580189

<https://www.phoenixcontact.com/us/products/1580189>

Dimensional drawing



Side view

# HC-D 64-A-TWIN-PEL-F - Terminal adapter

1580189

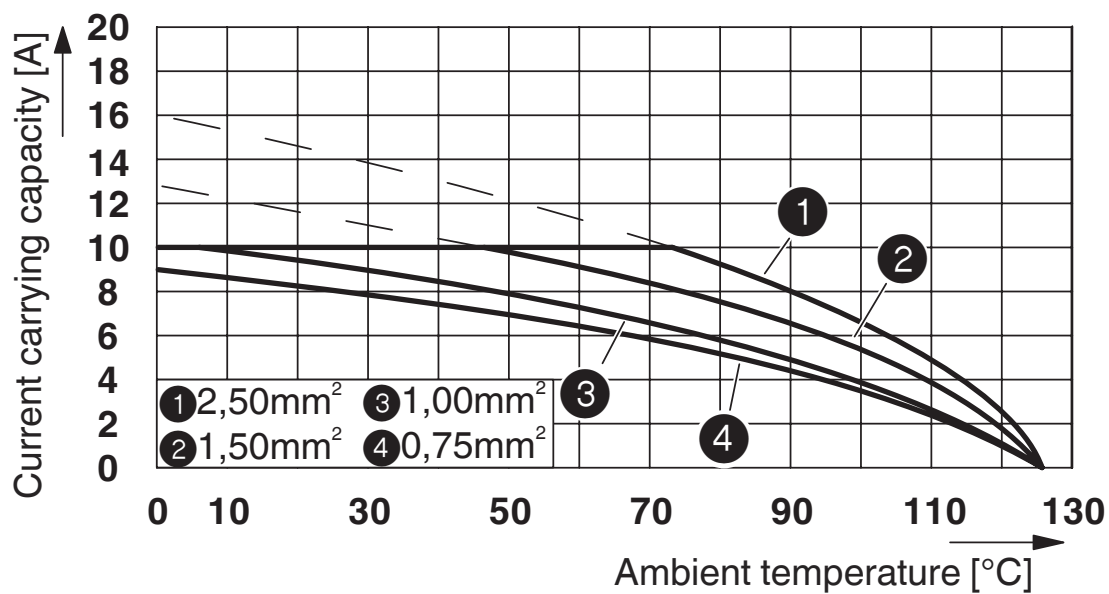
<https://www.phoenixcontact.com/us/products/1580189>

Application drawing



Mounting position PE connection left/right (PEL/PER)

Diagram



Derating diagram

# HC-D 64-A-TWIN-PEL-F - Terminal adapter




1580189

<https://www.phoenixcontact.com/us/products/1580189>


## Approvals

To download certificates, visit the product detail page: <https://www.phoenixcontact.com/us/products/1580189>

 <b>CSA</b> Approval ID: 13631				
	Nominal voltage $U_N$	Nominal current $I_N$	Cross section AWG	Cross section $\text{mm}^2$
keine				
	600 V	7 A	- 14	-

 <b>UL Recognized</b> Approval ID: E118976				
	Nominal voltage $U_N$	Nominal current $I_N$	Cross section AWG	Cross section $\text{mm}^2$
keine				
	600 V	7 A	- 14	-

 <b>EAC</b> Approval ID: RU C-DE.AI30.B.01102				
---	--	--	--	--

 <b>UL Recognized</b> Approval ID: E468743				
	Nominal voltage $U_N$	Nominal current $I_N$	Cross section AWG	Cross section $\text{mm}^2$
keine				
	600 V	10 A	-	-

# HC-D 64-A-TWIN-PEL-F - Terminal adapter



1580189

<https://www.phoenixcontact.com/us/products/1580189>

## Classifications

### ECLASS

ECLASS-13.0	27440222
ECLASS-15.0	27440222

### ETIM

ETIM 10.0	EC000438
-----------	----------

### UNSPSC

UNSPSC 21.0	39121500
-------------	----------

# HC-D 64-A-TWIN-PEL-F - Terminal adapter



1580189

<https://www.phoenixcontact.com/us/products/1580189>

## Environmental product compliance

### EU RoHS

Fulfills EU RoHS substance requirements	Yes, No exemptions
---	--------------------

### China RoHS

Environment friendly use period (EFUP)	EFUP-E
	No hazardous substances above the limits

### EU REACH SVHC

REACH candidate substance (CAS No.)	No substance above 0.1 wt%
-------------------------------------	----------------------------

Phoenix Contact 2026 © - all rights reserved  
<https://www.phoenixcontact.com>

Phoenix Contact USA  
586 Fulling Mill Road  
Middletown, PA 17057, United States  
(+717) 944-1300  
[info@phoenixcon.com](mailto:info@phoenixcon.com)