

# SACC-DSI-MSB-5CON-PG9/0,3SCOPB - Panel feed-through



1577985

<https://www.phoenixcontact.com/us/products/1577985>

Please be informed that the data shown in this PDF document is generated from our online catalog. Please find the complete data in the user documentation. Our general terms of use for downloads are valid.



Sensor/actuator flush-type plug, 5-pos., M12 SPEEDCON, B-coded, rear/screw mounting with Pg11 thread, with 0.3 m TPE litz wire, 5 x 0.34 mm<sup>2</sup>

As shown in the illustration but with different wire colors

## Commercial data

Item number	1577985
Packing unit	1 pc
Minimum order quantity	50 pc
Product key	ABQYAA
GTIN	4046356462747
Weight per piece (including packing)	19.9 g
Weight per piece (excluding packing)	19.9 g
Country of origin	DE

# SACC-DSI-MSB-5CON-PG9/0,3SCOPB - Panel feed-through



1577985

<https://www.phoenixcontact.com/us/products/1577985>

## Technical data

### Product properties

Number of positions	5
No. of cable outlets	1
Shielded	no
Coding	B

### Insulation characteristics

Overvoltage category	II
Degree of pollution	3

### Electrical properties

Rated surge voltage	1.5 kV
Contact resistance	$\leq 3 \text{ m}\Omega$
Insulation resistance	$\geq 100 \text{ M}\Omega$
Nominal voltage $U_N$	60 V
Nominal current $I_N$	4 A
Max. conductor resistance	57.6 m $\Omega$ /m

### Connection data

Connection method	Individual wires
-------------------	------------------

### Signaling

Status display	no
Status display present	no

### Material specifications

Flammability rating according to UL 94	V0
Seal material	NBR
Contact material	CuZn
Contact surface material	Au
Contact carrier material	PA 6.6
Material for screw connection	Zinc die-cast, nickel-plated
Conductor material	Tin-plated Cu litz wires

### Connector

#### Connection 1

Head design	Plug
Head cable outlet	straight
Head thread type	M12
Head locking type	SPEEDCON
Coding	B

# SACC-DSI-MSB-5CON-PG9/0,3SCOPB - Panel feed-through



1577985

<https://www.phoenixcontact.com/us/products/1577985>

## Cable/line

Cable length	0.3 m
Cable type	TPE litz wire
Wire diameter incl. insulation	1.2 mm ±0.07 mm
Single wire, color	brown, green, blue, red
Cable cross section	0.34 mm <sup>2</sup>
Conductor material	Tin-plated Cu litz wires
Conductor structure signal line	7x 0.25 mm
AWG signal line	22
Material wire insulation	TPE
Thickness, insulation	0.21 mm
Nominal voltage, cable	300 V
Test voltage, cable	2000 V AC
Cable resistance	≤ 57.6 mΩ/m
Cable insulation resistance	≥ 20 MΩ*km

## Environmental and real-life conditions

### Ambient conditions

Degree of protection	IP67 (When plugged in)
	IP65 (When plugged in)
	IP65/IP67
Ambient temperature (operation)	-25 °C ... 85 °C (Plug / socket)
	-25 °C ... 90 °C (cable, fixed installation)

# SACC-DSI-MSB-5CON-PG9/0,3SCOPB - Panel feed-through

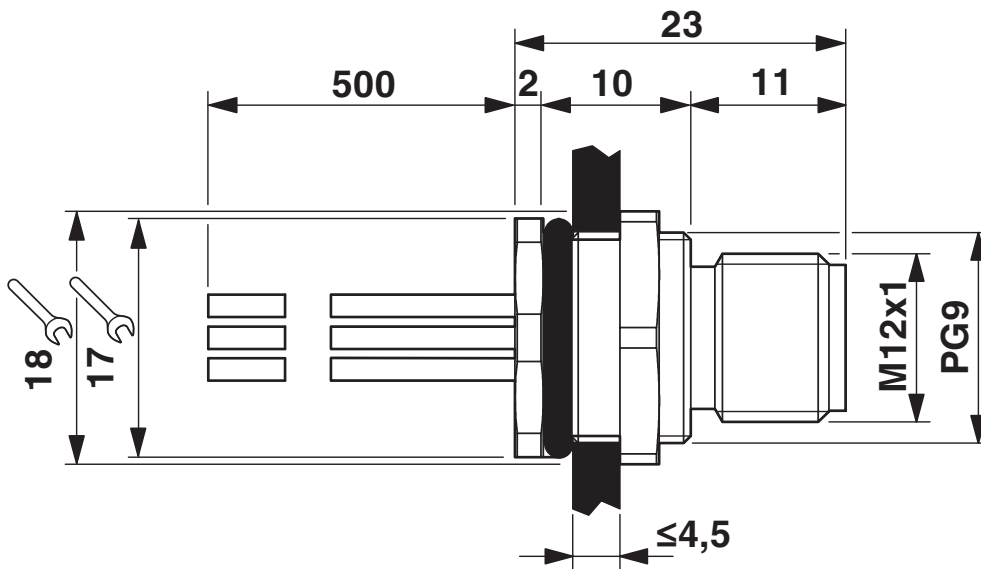


1577985

<https://www.phoenixcontact.com/us/products/1577985>

## Drawings

Dimensional drawing



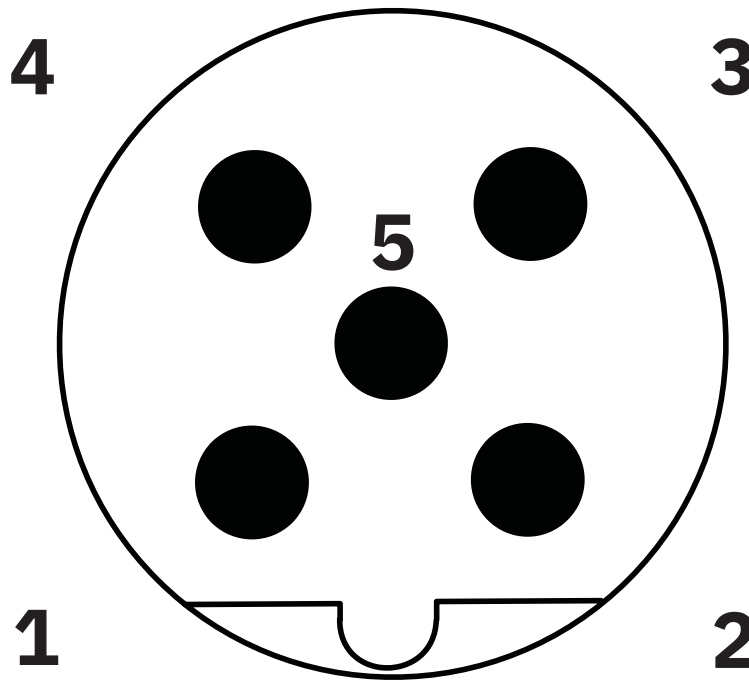
M12 flush-type plug

# SACC-DSI-MSB-5CON-PG9/0,3SCOPB - Panel feed-through

1577985

<https://www.phoenixcontact.com/us/products/1577985>

Schematic diagram



Pin assignment M12 male connector, 5-pos., B-coded, male side

Circuit diagram



Contact assignment of the M12 plug

# SACC-DSI-MSB-5CON-PG9/0,3SCOPB - Panel feed-through



1577985

<https://www.phoenixcontact.com/us/products/1577985>

Phoenix Contact 2026 © - all rights reserved  
<https://www.phoenixcontact.com>

Phoenix Contact USA  
586 Fulling Mill Road  
Middletown, PA 17057, United States  
(+717) 944-1300  
[info@phoenixcon.com](mailto:info@phoenixcon.com)