

SACC-DSI-MS-5CON-PG9/0,3SCOCAN - Panel feed-through



1577969

<https://www.phoenixcontact.com/us/products/1577969>

Please be informed that the data shown in this PDF document is generated from our online catalog. Please find the complete data in the user documentation. Our general terms of use for downloads are valid.



Sensor/actuator flush-type plug, 5-pos., M12 SPEEDCON, A-coded, rear/screw mounting with Pg9 thread, with 0.3 m TPE litz wire, 5 x 0.34 mm²

As shown in the illustration but with different wire colors

Commercial data

Item number	1577969
Packing unit	1 pc
Minimum order quantity	50 pc
Product key	ABQCGE
GTIN	4046356462761
Weight per piece (including packing)	20.7 g
Weight per piece (excluding packing)	20.7 g
Country of origin	DE

SACC-DSI-MS-5CON-PG9/0,3SCOCAN - Panel feed-through



1577969

<https://www.phoenixcontact.com/us/products/1577969>

Technical data

Product properties

Number of positions	5
No. of cable outlets	1
Shielded	no
Coding	A

Insulation characteristics

Overvoltage category	II
Degree of pollution	3

Electrical properties

Rated surge voltage	1.5 kV
Contact resistance	$\leq 3 \text{ m}\Omega$
Insulation resistance	$\geq 100 \text{ M}\Omega$
Nominal voltage U_N	60 V
Nominal current I_N	4 A
Max. conductor resistance	57.6 m Ω /m

Connection data

Connection method	Individual wires
-------------------	------------------

Signaling

Status display	no
Status display present	no

Material specifications

Flammability rating according to UL 94	V0
Seal material	NBR
Contact material	CuZn
Contact surface material	Au
Contact carrier material	PA 6.6
Material for screw connection	Zinc die-cast, nickel-plated
Conductor material	Tin-plated Cu litz wires

Connector

Connection 1

Head design	Plug
Head cable outlet	straight
Head thread type	M12
Head locking type	SPEEDCON
Coding	A

SACC-DSI-MS-5CON-PG9/0,3SCOCAN - Panel feed-through



1577969

<https://www.phoenixcontact.com/us/products/1577969>

Cable/line

Cable length	0.3 m
Cable type	TPE litz wire
Wire diameter incl. insulation	1.2 mm \pm 0.07 mm
Single wire, color	yellow, red, black, white, blue
Cable cross section	0.34 mm ²
Conductor material	Tin-plated Cu litz wires
Conductor structure signal line	7x 0.25 mm
AWG signal line	22
Material wire insulation	TPE
Thickness, insulation	0.21 mm
Nominal voltage, cable	300 V
Test voltage, cable	2000 V AC
Cable resistance	\leq 57.6 m Ω /m
Cable insulation resistance	\geq 20 M Ω *km

Environmental and real-life conditions

Ambient conditions

Degree of protection	IP67 (When plugged in)
	IP65 (When plugged in)
	IP65/IP67
Ambient temperature (operation)	-25 °C ... 85 °C (Plug / socket)
	-25 °C ... 90 °C (cable, fixed installation)

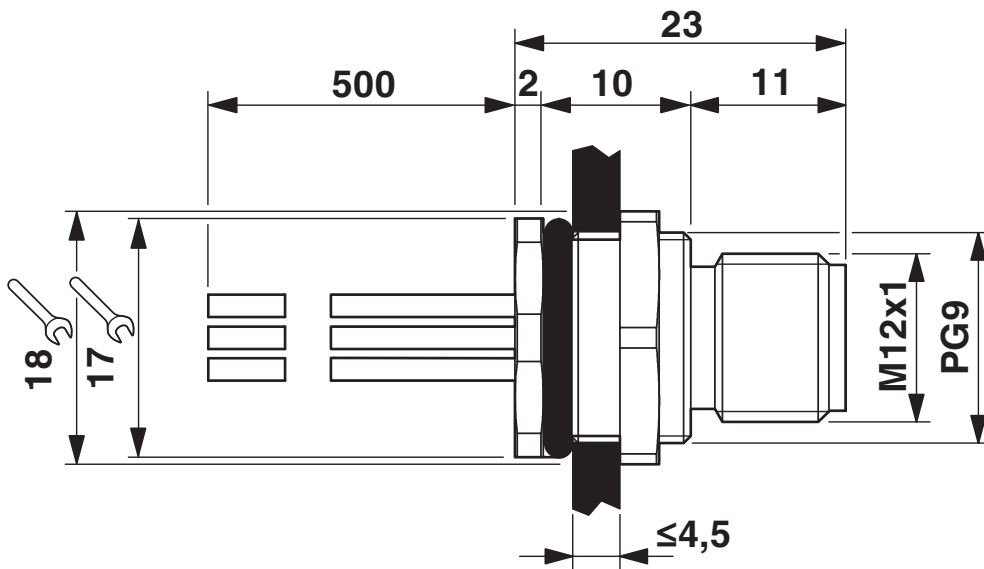
SACC-DSI-MS-5CON-PG9/0,3SCOCAN - Panel feed-through

1577969

<https://www.phoenixcontact.com/us/products/1577969>

Drawings

Dimensional drawing



M12 flush-type plug

Schematic diagram



Pin assignment M12 male connector, 5-pos., A-coded, male side

SACC-DSI-MS-5CON-PG9/0,3SCOCAN - Panel feed-through



1577969

<https://www.phoenixcontact.com/us/products/1577969>

Circuit diagram



Contact assignment of the M12 plug

Phoenix Contact 2026 © - all rights reserved

<https://www.phoenixcontact.com>

Phoenix Contact USA
586 Fulling Mill Road
Middletown, PA 17057, United States
(+717) 944-1300
info@phoenixcon.com