

SAC-4P-M12MS/500/ 0,3 GY IN - Sensor/actuator cable



1575518

<https://www.phoenixcontact.com/us/products/1575518>

Please be informed that the data shown in this PDF document is generated from our online catalog. Please find the complete data in the user documentation. Our general terms of use for downloads are valid.



Sensor/actuator cable, 4-position, PVC, gray RAL 7001, Plug straight M12, coding: A, on free cable end, cable length: 0.3 m

as in the figure, but with gray handle and gray cable

Commercial data

Item number	1575518
Packing unit	50 pc
Minimum order quantity	1 pc
Product key	AF1CCA
GTIN	4046356434904
Weight per piece (including packing)	22.838 g
Weight per piece (excluding packing)	22.838 g
Country of origin	DE

SAC-4P-M12MS/500/ 0,3 GY IN - Sensor/actuator cable



1575518

<https://www.phoenixcontact.com/us/products/1575518>

Technical data

Product properties

Product type	Sensor/actuator cable
Number of positions	4
No. of cable outlets	1
Shielded	no
Coding	A

Insulation characteristics

Overvoltage category	II
Degree of pollution	3

Material specifications

Flammability rating according to UL 94	HB
Material of grip body	TPU, hardly inflammable, self-extinguishing
Contact material	CuSn
Contact surface material	Ni/Au
Contact carrier material	TPU GF
Material for screw connection	Zinc die-cast, nickel-plated

Electrical properties

Insulation resistance	$\geq 100 \text{ M}\Omega$
Nominal voltage U_N	250 V AC 250 V DC
Nominal current I_N	4 A

Mechanical properties

Mechanical data

Insertion/withdrawal cycles	≥ 100
-----------------------------	------------

Signaling

Status display	no
Status display present	no

Connector

Connection 1

Type	Plug straight M12
Number of positions	4
Coding type	A

Connection 2

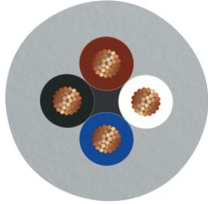
Type	free cable end
------	----------------

SAC-4P-M12MS/500/ 0,3 GY IN - Sensor/actuator cable

1575518

<https://www.phoenixcontact.com/us/products/1575518>

Cable/line

Cable length	0.3 m
PVC gray [500]	
Dimensional drawing	
Cable weight	40 kg/km
UL AWM Style	2464 / 1729 (80°C/300 V)
Number of positions	4
Shielded	no
Cable type	PVC gray [500]
Conductor structure signal line	19x 0.15 mm
AWG signal line	22
Conductor cross-section	4x 0.34 mm ² (Signal line)
Wire diameter incl. insulation	1.26 mm ±0.05 mm
External cable diameter	4.70 mm ±0.15 mm
Outer sheath, material	PVC
External sheath, color	gray RAL 7001
Conductor material	Bare Cu litz wires
Material wire insulation	PVC
Single wire, color	brown, white, blue, black
Thickness, insulation	≥ 0.23 mm (Core insulation)
Thickness, outer sheath	≥ 0.76 mm
Overall twist	4 wires, twisted
Max. conductor resistance	max. 57 Ω/km (at 20 °C)
Insulation resistance	≥ 200 MΩ*km (at 20 °C)
Nominal voltage, cable	≤ 300 V
Test voltage	≥ 3000 V
Minimum bending radius, fixed installation	5 x D
Minimum bending radius, flexible installation	10 x D
Smallest bending radius, fixed installation	24 mm
Smallest bending radius, movable installation	47 mm
Ambient temperature (operation)	-40 °C ... 80 °C (cable, fixed installation) -25 °C ... 80 °C (Cable, flexible installation)

Environmental and real-life conditions

Ambient conditions

SAC-4P-M12MS/500/ 0,3 GY IN - Sensor/actuator cable



1575518

<https://www.phoenixcontact.com/us/products/1575518>

Degree of protection	IP65
	IP67
	IP68
Ambient temperature (operation) (male connector/female connector)	-25 °C ... 90 °C (Plug / socket)
Ambient temperature (operation)	-40 °C ... 80 °C (cable, fixed installation)
	-5 °C ... 80 °C (Cable, flexible installation)

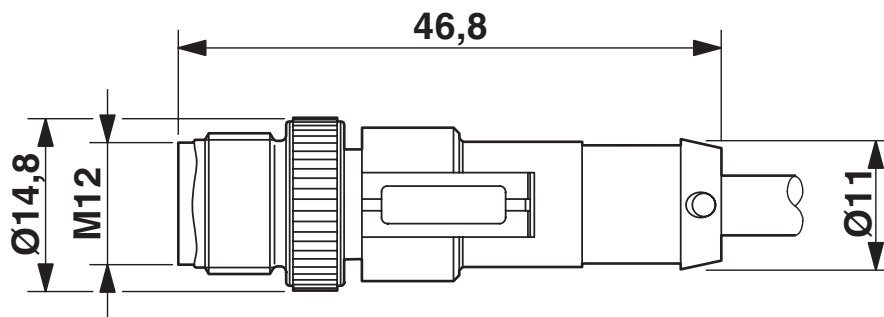
SAC-4P-M12MS/500/ 0,3 GY IN - Sensor/actuator cable

1575518

<https://www.phoenixcontact.com/us/products/1575518>

Drawings

Dimensional drawing



Plug, M12 x 1, straight, shielded

SAC-4P-M12MS/500/ 0,3 GY IN - Sensor/actuator cable

1575518

<https://www.phoenixcontact.com/us/products/1575518>

Schematic diagram



Pin assignment M12 plug, 4-pos., A-coded, view plug side

Circuit diagram



Contact assignment of the M12 plug

SAC-4P-M12MS/500/ 0,3 GY IN - Sensor/actuator cable



1575518

<https://www.phoenixcontact.com/us/products/1575518>

Classifications

ECLASS

ECLASS-13.0	27060311
ECLASS-15.0	27060311

SAC-4P-M12MS/500/ 0,3 GY IN - Sensor/actuator cable



1575518

<https://www.phoenixcontact.com/us/products/1575518>

Environmental product compliance

EU RoHS

Fulfills EU RoHS substance requirements	Yes, No exemptions
-----------------------------------------	--------------------

China RoHS

Environment friendly use period (EFUP)	EFUP-50
	An article-related China RoHS declaration table can be found in the download area for the respective article under "Manufacturer declaration". For all articles with EFUP-E, no China RoHS declaration table issued and required.

EU REACH SVHC

REACH candidate substance (CAS No.)	No substance above 0.1 wt%
-------------------------------------	----------------------------

Phoenix Contact 2026 © - all rights reserved

<https://www.phoenixcontact.com>

Phoenix Contact USA
586 Fulling Mill Road
Middletown, PA 17057, United States
(+717) 944-1300
info@phoenixcon.com