

# SAC-4P-M12MS/0,85-PUR/M12FSLUE - Sensor/actuator cable



1573015

<https://www.phoenixcontact.com/us/products/1573015>

Please be informed that the data shown in this PDF document is generated from our online catalog. Please find the complete data in the user documentation. Our general terms of use for downloads are valid.



Sensor/actuator cable, 4-position, PUR halogen-free, black-gray RAL 7021, Plug straight M12, coding: A, on Socket straight M12, coding: A, cable length: 0.85 m

## Commercial data

Item number	1573015
Packing unit	50 pc
Minimum order quantity	50 pc
Product key	AF1CCA
GTIN	4046356417679
Weight per piece (including packing)	47.954 g
Weight per piece (excluding packing)	47.954 g
Country of origin	DE

# SAC-4P-M12MS/0,85-PUR/M12FSLUE - Sensor/actuator cable



1573015

<https://www.phoenixcontact.com/us/products/1573015>

## Technical data

### Product properties

Product type	Sensor/actuator cable
Number of positions	4
No. of cable outlets	1
Shielded	no
Coding	A

### Insulation characteristics

Overvoltage category	II
Degree of pollution	3

### Material specifications

Flammability rating according to UL 94	HB
Seal material	NBR
Material of grip body	TPU, hardly inflammable, self-extinguishing
Contact material	CuSn
Contact surface material	Ni/Au
Contact carrier material	TPU GF
Material for screw connection	Zinc die-cast, nickel-plated
Outer sheath, material	PUR
Conductor material	Bare Cu litz wires

### Electrical properties

Nominal voltage $U_N$	250 V AC
	250 V DC
Nominal current $I_N$	4 A
Max. conductor resistance	58 $\Omega$ /km

### Mechanical properties

#### Mechanical data

Insertion/withdrawal cycles	$\geq 100$
Max. bending cycles	4000000

### Signaling

Status display	no
----------------	----

### Connector

#### Connection 1

Type	Plug straight M12
Number of positions	4

# SAC-4P-M12MS/0,85-PUR/M12FSLUE - Sensor/actuator cable

1573015

<https://www.phoenixcontact.com/us/products/1573015>

Coding type	A
-------------	---

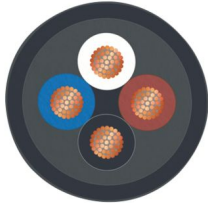
## Connection 2

Type	Socket straight M12
Number of positions	4
Coding type	A

## Cable/line

Cable length	0.85 m
--------------	--------

## PUR halogen-free black [PUR]

Dimensional drawing	
Cable weight	30 kg/km
UL AWM Style	20549 / 10493 (80°C/300 V)
Number of positions	4
Shielded	no
Cable type	PUR halogen-free black [PUR]
Conductor structure signal line	42x 0.10 mm
AWG signal line	22
Conductor cross-section	4x 0.34 mm <sup>2</sup> (Signal line)
Wire diameter incl. insulation	1.27 mm ±0.02 mm
External cable diameter	4.20 mm ±0.15 mm
Outer sheath, material	PUR
External sheath, color	black-gray RAL 7021
Conductor material	Bare Cu litz wires
Material wire insulation	PP
Single wire, color	brown, white, blue, black
Thickness, insulation	≥ 0.21 mm
Thickness, outer sheath	approx. 0.50 mm
Overall twist	4 wires, twisted
Max. conductor resistance	≤ 58 Ω/km
Insulation resistance	≥ 1 GΩ*km
Nominal voltage, cable	≤ 300 V
Test voltage	≥ 3000 V
Minimum bending radius, fixed installation	5 x D
Minimum bending radius, flexible installation	10 x D

# SAC-4P-M12MS/0,85-PUR/M12FSLUE - Sensor/actuator cable



1573015

<https://www.phoenixcontact.com/us/products/1573015>

Smallest bending radius, fixed installation	21 mm
Smallest bending radius, movable installation	42 mm
Dynamic load capacity (bending)	Max. bending cycles: 10000000, Bending radius: 42 mm, Bending radius: 10 x D, Traversing path: 10 m, Traversing rate: 3 m/s, Acceleration: 10 m/s <sup>2</sup>
Dynamic load capacity (torsion)	Torsion: ±180 °/m, Torsion cycles: ≥5000000, Torsional frequency: 35 cycles/min.
Halogen-free	in accordance with DIN VDE 0472 part 815
	in accordance with DIN EN 50267-2-1
Flame resistance	in accordance with UL 758/1581 FT2
	DIN EN 60332-2-2 (20 s)
Resistance to oil	in accordance with DIN EN 60811-2-1
Other resistance	Highly resistant to acids, alkaline solutions and solvents
	hydrolysis and microbe resistant
	partly UV-resistant (in accordance with DIN EN ISO 4892-2-A)
	Low adhesion
Special properties	abrasion-resistant
	Flexible cable conduit capable
	Silicone-free
	Free of substances which would hinder coating with paint or varnish
Ambient temperature (operation)	flexible
	-40 °C ... 80 °C (cable, fixed installation)
	-25 °C ... 80 °C (Cable, flexible installation)

## Environmental and real-life conditions

### Ambient conditions

Degree of protection	IP65
	IP67
	IP68
Ambient temperature (operation)	-25 °C ... 90 °C (Plug / socket)
	-40 °C ... 80 °C (cable, fixed installation)
	-5 °C ... 80 °C (Cable, flexible installation)

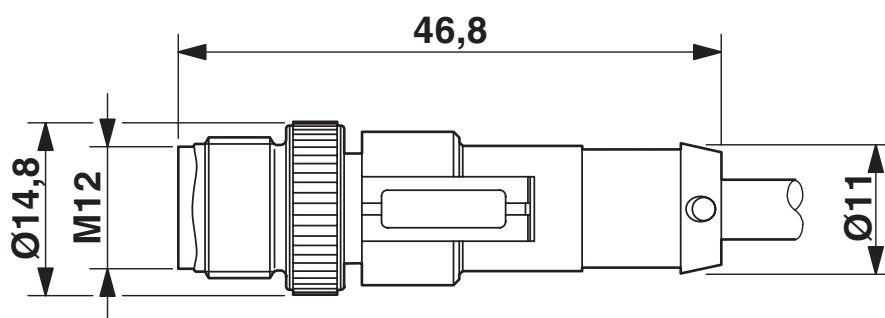
# SAC-4P-M12MS/0,85-PUR/M12FSLUE - Sensor/actuator cable

1573015

<https://www.phoenixcontact.com/us/products/1573015>

## Drawings

Dimensional drawing



Plug, M12 x 1, straight, shielded

Dimensional drawing



M12 x 1 socket, straight

# SAC-4P-M12MS/0,85-PUR/M12FSLUE - Sensor/actuator cable

1573015

<https://www.phoenixcontact.com/us/products/1573015>

Schematic diagram



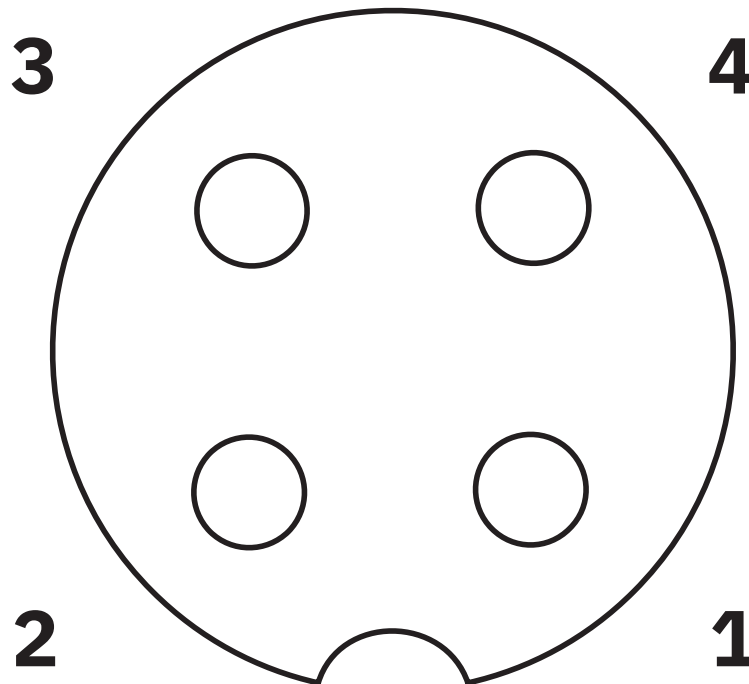
Pin assignment M12 plug, 4-pos., A-coded, view plug side

# SAC-4P-M12MS/0,85-PUR/M12FSLUE - Sensor/actuator cable

1573015

<https://www.phoenixcontact.com/us/products/1573015>

Schematic diagram



Pin assignment M12 socket, 4-pos., A-coded, view female side

# SAC-4P-M12MS/0,85-PUR/M12FSLUE - Sensor/actuator cable



1573015

<https://www.phoenixcontact.com/us/products/1573015>

## Classifications

### ECLASS

ECLASS-13.0	27060311
ECLASS-15.0	27060311

# SAC-4P-M12MS/0,85-PUR/M12FSLUE - Sensor/actuator cable



1573015

<https://www.phoenixcontact.com/us/products/1573015>

## Environmental product compliance

### EU RoHS

Fulfills EU RoHS substance requirements	Yes, No exemptions
---	--------------------

### China RoHS

Environment friendly use period (EFUP)	EFUP-E
	No hazardous substances above the limits

### EU REACH SVHC

REACH candidate substance (CAS No.)	No substance above 0.1 wt%
-------------------------------------	----------------------------

Phoenix Contact 2026 © - all rights reserved  
<https://www.phoenixcontact.com>

Phoenix Contact USA  
586 Fulling Mill Road  
Middletown, PA 17057, United States  
(+717) 944-1300  
[info@phoenixcon.com](mailto:info@phoenixcon.com)