

# SAC-3P-M 8MS/ 1,0-500/M 8FS VA - Sensor/actuator cable



1572595

<https://www.phoenixcontact.com/us/products/1572595>

Please be informed that the data shown in this PDF document is generated from our online catalog. Please find the complete data in the user documentation. Our general terms of use for downloads are valid.



Sensor/actuator cable, 3-position, PVC, gray RAL 7001, Plug straight M8, coding: A, on Socket angled M8, cable length: 1 m

## Commercial data

Item number	1572595
Packing unit	1 pc
Minimum order quantity	100 pc
Note	Made to order (non-returnable)
Product key	AF1BBA
GTIN	4046356411158
Weight per piece (including packing)	38.2 g
Weight per piece (excluding packing)	38.2 g
Country of origin	PL

# SAC-3P-M 8MS/ 1,0-500/M 8FS VA - Sensor/actuator cable



1572595

<https://www.phoenixcontact.com/us/products/1572595>

## Technical data

### Product properties

Product type	Sensor/actuator cable
Number of positions	3
No. of cable outlets	1
Shielded	no
Coding	A

### Insulation characteristics

Overvoltage category	II
Degree of pollution	3

### Material specifications

Flammability rating according to UL 94	HB
Seal material	NBR
Material of grip body	TPU, hardly inflammable, self-extinguishing
Contact material	CuSn
Contact surface material	Ni/Au
Contact carrier material	TPU GF
Material for screw connection	Stainless steel

### Electrical properties

Insulation resistance	$\geq 100 \text{ M}\Omega$
Nominal voltage $U_N$	48 V AC
	60 V DC
Nominal current $I_N$	4 A

### Signaling

Status display	no
Status display present	no

### Connector

#### Connection 1

Type	Plug straight M8
Number of positions	3
Coding type	A

#### Connection 2

Type	Socket angled M8
Number of positions	3

### Cable/line

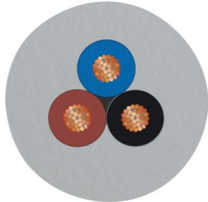
Cable length	1 m
--------------	-----

# SAC-3P-M 8MS/ 1,0-500/M 8FS VA - Sensor/actuator cable

1572595

<https://www.phoenixcontact.com/us/products/1572595>

PVC gray [500]

Dimensional drawing	
Cable weight	40 kg/km
UL AWM Style	2464 / 1729 (80°C/300 V)
Number of positions	3
Shielded	no
Cable type	PVC gray [500]
Conductor structure signal line	19x 0.15 mm
AWG signal line	22
Conductor cross-section	3x 0.34 mm <sup>2</sup> (Signal line)
Wire diameter incl. insulation	1.26 mm ±0.05 mm
External cable diameter	4.30 mm ±0.2 mm
Outer sheath, material	PVC
External sheath, color	gray RAL 7001
Conductor material	Bare Cu litz wires
Material wire insulation	PVC
Single wire, color	brown, blue, black
Thickness, insulation	≥ 0.23 mm (Core insulation)
Thickness, outer sheath	≥ 0.76 mm
Overall twist	3 wires, twisted
Max. conductor resistance	max. 57 Ω/km (at 20 °C)
Insulation resistance	≥ 100 MΩ*km (at 20 °C)
Nominal voltage, cable	≤ 300 V
Test voltage	≥ 2500 V
Minimum bending radius, fixed installation	5 x D
Minimum bending radius, flexible installation	10 x D
Smallest bending radius, fixed installation	22 mm
Smallest bending radius, movable installation	43 mm
Flame resistance	As per UL-Style 2464
Ambient temperature (operation)	-40 °C ... 80 °C (cable, fixed installation) -25 °C ... 80 °C (Cable, flexible installation)

## Environmental and real-life conditions

Ambient conditions

Degree of protection	IP65
	IP67

# SAC-3P-M 8MS/ 1,0-500/M 8FS VA - Sensor/actuator cable



1572595

<https://www.phoenixcontact.com/us/products/1572595>

	IP68
	IP69K
Ambient temperature (operation)	-25 °C ... 90 °C (Plug / socket)
	-25 °C ... 80 °C (cable, fixed installation)
	-5 °C ... 80 °C (Cable, flexible installation)

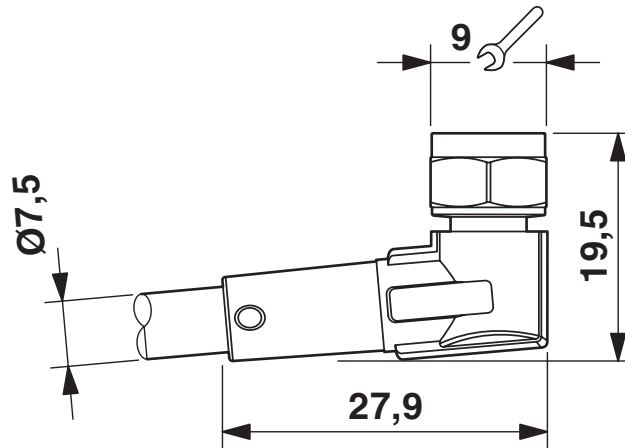
# SAC-3P-M 8MS/ 1,0-500/M 8FS VA - Sensor/actuator cable

1572595

<https://www.phoenixcontact.com/us/products/1572595>

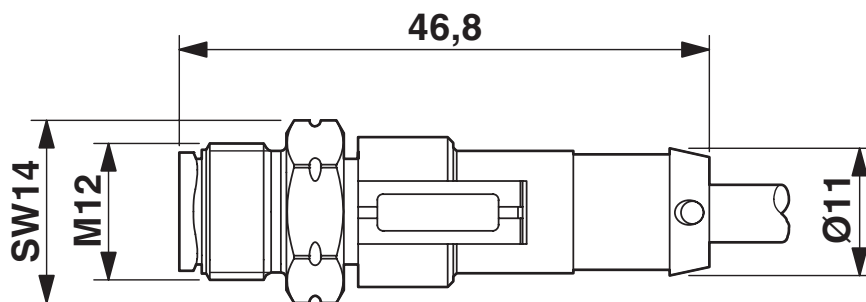
## Drawings

Dimensional drawing



Socket M8 x 1, angled

Dimensional drawing



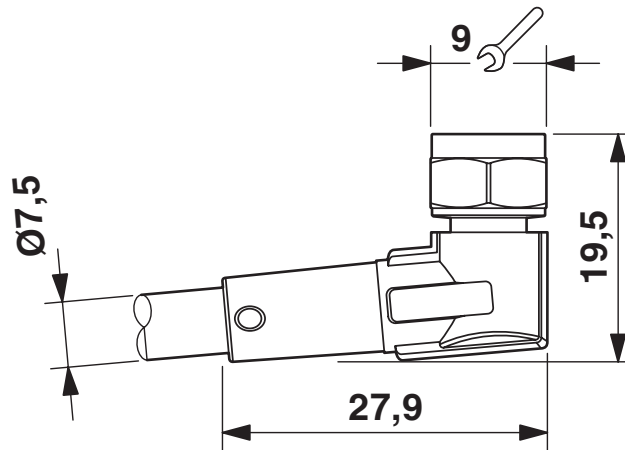
Plug, M12 x 1, straight, shielded

# SAC-3P-M 8MS/ 1,0-500/M 8FS VA - Sensor/actuator cable

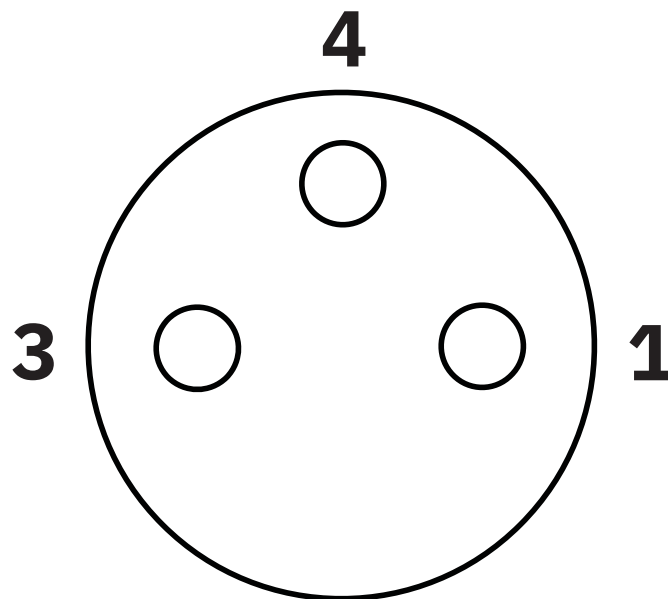
1572595

<https://www.phoenixcontact.com/us/products/1572595>

Dimensional drawing



Schematic diagram



Pin assignment M8 socket, 3-pos., view female side

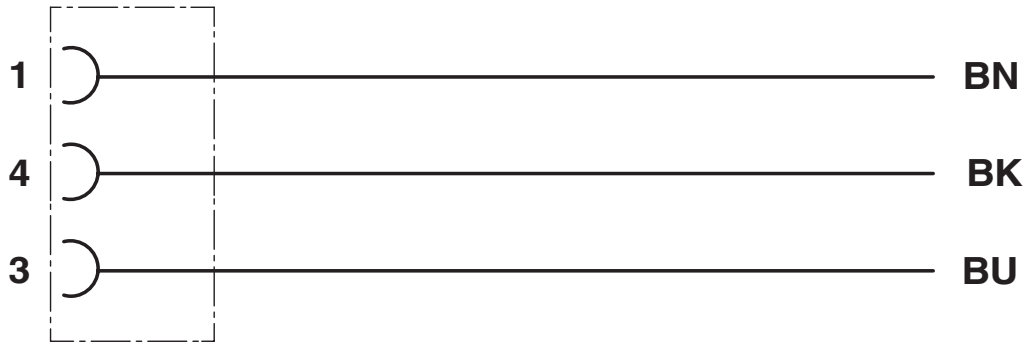
# SAC-3P-M 8MS/ 1,0-500/M 8FS VA - Sensor/actuator cable



1572595

<https://www.phoenixcontact.com/us/products/1572595>

Circuit diagram



Contact assignment of M8 socket

# SAC-3P-M 8MS/ 1,0-500/M 8FS VA - Sensor/actuator cable



1572595

<https://www.phoenixcontact.com/us/products/1572595>

## Approvals

To download certificates, visit the product detail page: <https://www.phoenixcontact.com/us/products/1572595>

 <b>UL Listed</b> Approval ID: FILE E 221474				
	Nominal voltage $U_N$	Nominal current $I_N$	Cross section AWG	Cross section $\text{mm}^2$
keine				
	60 V	4 A	-	-

 <b>cUL Listed</b> Approval ID: FILE E 221474				
	Nominal voltage $U_N$	Nominal current $I_N$	Cross section AWG	Cross section $\text{mm}^2$
keine				
	60 V	4 A	-	-

 <b>EAC-RoHS</b> Approval ID: RU D-DE.HB35.B.00387	
--	--

# SAC-3P-M 8MS/ 1,0-500/M 8FS VA - Sensor/actuator cable



1572595

<https://www.phoenixcontact.com/us/products/1572595>

## Classifications

### ECLASS

ECLASS-13.0	27060311
ECLASS-15.0	27060311

### ETIM

ETIM 10.0	EC001855
-----------	----------

### UNSPSC

UNSPSC 21.0	26121600
-------------	----------

# SAC-3P-M 8MS/ 1,0-500/M 8FS VA - Sensor/actuator cable



1572595

<https://www.phoenixcontact.com/us/products/1572595>

## Environmental product compliance

### EU RoHS

Fulfills EU RoHS substance requirements	Yes, No exemptions
---	--------------------

### China RoHS

Environment friendly use period (EFUP)	EFUP-E
	No hazardous substances above the limits

### EU REACH SVHC

REACH candidate substance (CAS No.)	No substance above 0.1 wt%
-------------------------------------	----------------------------

Phoenix Contact 2026 © - all rights reserved  
<https://www.phoenixcontact.com>

Phoenix Contact USA  
586 Fulling Mill Road  
Middletown, PA 17057, United States  
(+717) 944-1300  
[info@phoenixcon.com](mailto:info@phoenixcon.com)