

# SAC-4P-M 8Y/2XM 8FS VP - Y distributor



1572443

<https://www.phoenixcontact.com/us/products/1572443>

Please be informed that the data shown in this PDF document is generated from our online catalog. Please find the complete data in the user documentation. Our general terms of use for downloads are valid.



Y distributor, 4-position, unshielded, Plug straight M8, coding: A, on Socket straight M8, coding: A and Socket straight M8, coding: A, Parallel distributor

## Commercial data

Item number	1572443
Packing unit	5 pc
Minimum order quantity	1 pc
Sales key	BF10
Product key	AF1GAB
GTIN	4046356410892
Weight per piece (including packing)	10.97 g
Weight per piece (excluding packing)	10.58 g
Customs tariff number	85366990
Country of origin	PL

# SAC-4P-M 8Y/2XM 8FS VP - Y distributor

1572443

<https://www.phoenixcontact.com/us/products/1572443>

## Technical data

### Product properties

Product type	Y-distributor
Number of positions	4
No. of cable outlets	2
Shielded	no
Coding	A
Thread type	M8

### Insulation characteristics

Overvoltage category	II
Degree of pollution	3

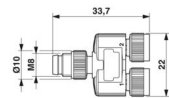
### Electrical properties

Insulation resistance	$\geq 10 \text{ G}\Omega$
Nominal voltage $U_N$	30 V AC
	30 V DC
Nominal current $I_N$	4 A

### Signaling

Status display	no
Status display present	no

### Dimensions

Dimensional drawing	
Width	22 mm
Height	10 mm
Length	33.7 mm
Center distance	12 mm

### Material specifications

Flammability rating according to UL 94	HB
Seal material	NBR
Material of grip body	TPU, hardly inflammable, self-extinguishing
Contact material	CuZn
Contact surface material	Ni/Au
Contact carrier material	TPU GF
Material for screw connection	Zinc die-cast, nickel-plated

# SAC-4P-M 8Y/2XM 8FS VP - Y distributor



1572443

<https://www.phoenixcontact.com/us/products/1572443>

## Connector

### Connection 1

Type	Plug straight M8
Coding type	A

### Connection 2

Type	Socket straight M8
Coding type	A

### Connection 3

Type	Socket straight M8
Coding type	A

## Mechanical properties

### Mechanical data

Insertion/withdrawal cycles	≥ 100
-----------------------------	-------

## Environmental and real-life conditions

### Ambient conditions

Degree of protection	IP65
	IP67
Ambient temperature (operation) (male connector/female connector)	-25 °C ... 90 °C (Plug / socket)

## Standards and regulations

Standard designation	M8 connector
Standards/specifications	IEC 61076-2-104
Standard designation	M8 connector
Standards/specifications	IEC 61076-2-104

# SAC-4P-M 8Y/2XM 8FS VP - Y distributor

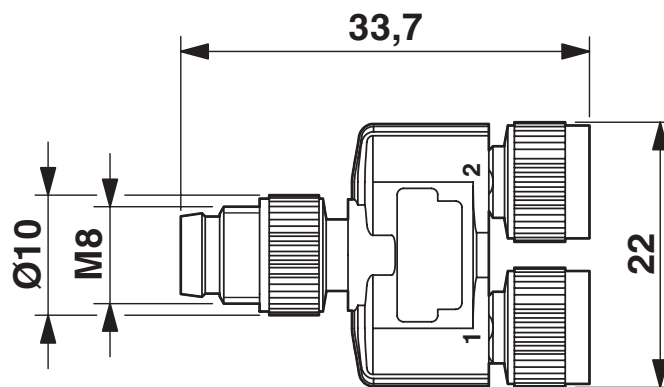
1572443

<https://www.phoenixcontact.com/us/products/1572443>



## Drawings

Dimensional drawing



M8 Y distributor

Schematic diagram



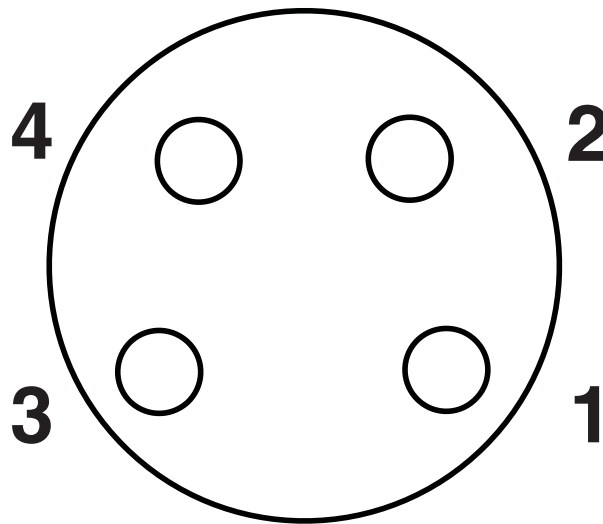
Pin assignment M8 plug, 4-pos., view male side

# SAC-4P-M 8Y/2XM 8FS VP - Y distributor

1572443

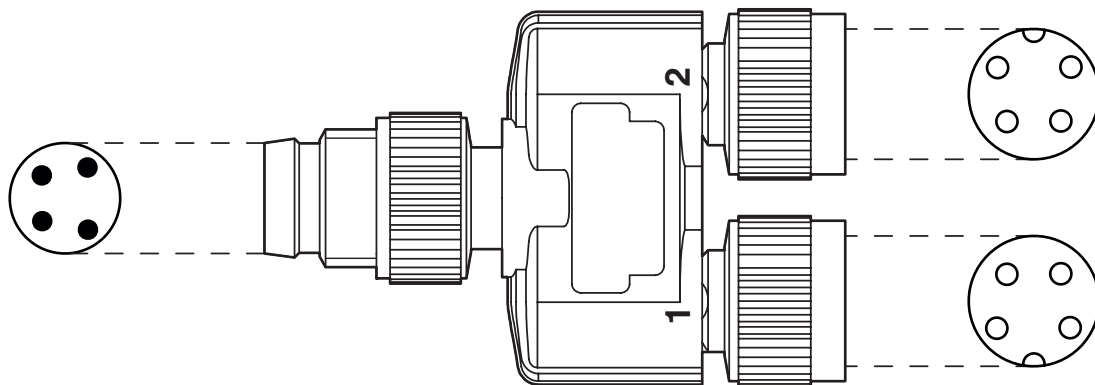
<https://www.phoenixcontact.com/us/products/1572443>

Schematic diagram



Pin assignment M8 socket, 4-pos., view female side

Schematic diagram



Layout of connector pin assignments

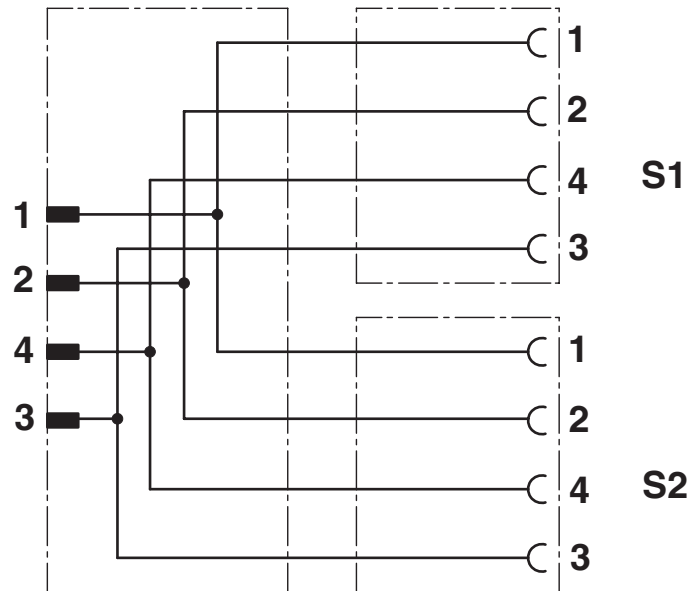
# SAC-4P-M 8Y/2XM 8FS VP - Y distributor

1572443

<https://www.phoenixcontact.com/us/products/1572443>



Circuit diagram



Contact assignment of the M8 Y distributor

# SAC-4P-M 8Y/2XM 8FS VP - Y distributor



1572443

<https://www.phoenixcontact.com/us/products/1572443>

## Classifications

### ECLASS

ECLASS-13.0	27440106
ECLASS-15.0	27440106

### ETIM

ETIM 10.0	EC002925
-----------	----------

### UNSPSC

UNSPSC 21.0	31251500
-------------	----------

# SAC-4P-M 8Y/2XM 8FS VP - Y distributor



1572443

<https://www.phoenixcontact.com/us/products/1572443>

## Environmental product compliance

### EU RoHS

Fulfills EU RoHS substance requirements	Yes, No exemptions
---	--------------------

### China RoHS

Environment friendly use period (EFUP)	EFUP-E
	No hazardous substances above the limits

### EU REACH SVHC

REACH candidate substance (CAS No.)	No substance above 0.1 wt%
-------------------------------------	----------------------------

### EF3.1 Climate Change

CO2e kg	1.125 kg CO2e
---------	---------------

Phoenix Contact 2026 © - all rights reserved  
<https://www.phoenixcontact.com>

Phoenix Contact USA  
586 Fulling Mill Road  
Middletown, PA 17057, United States  
(+717) 944-1300  
[info@phoenixcon.com](mailto:info@phoenixcon.com)